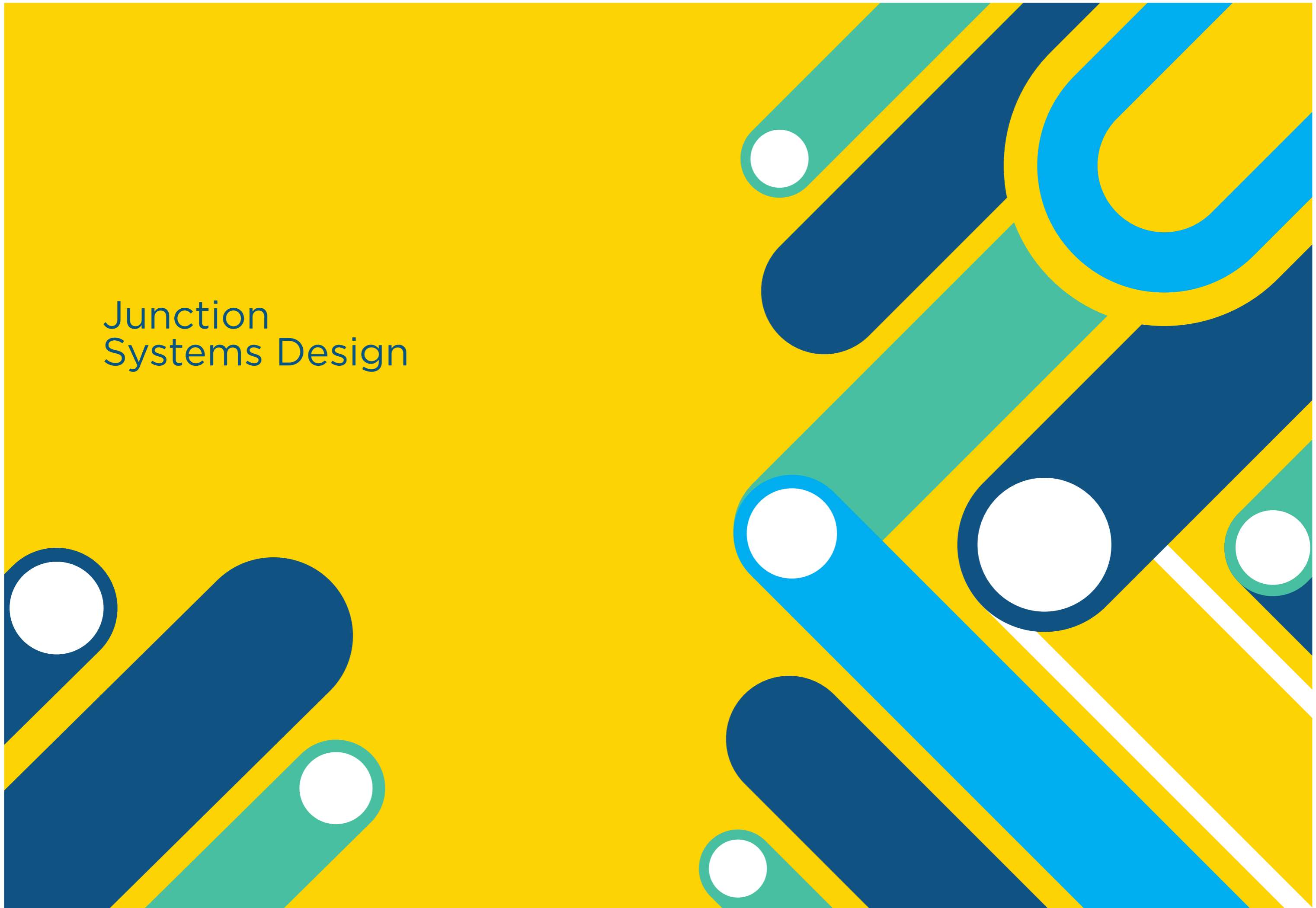


Junction
Systems Design





BUSCONNECTS DUBLIN CORE BUS CORRIDORS INFRASTRUCTURE WORKS

BRAY TO CITY CENTRE CORE BUS CORRIDOR SCHEME

JUNCTION SYSTEMS DESIGN

DRAWING SERIES NUMBER(S)

- BCIDB-JAC-TSM_IX-0013_XX_00-DR-TR-0001
- BCIDB-JAC-TSM_IX-0013_XX_00-DR-TR-0002
- BCIDB-JAC-TSM_KP-0013_XX_00-DR-TR-0001
- BCIDB-JAC-TSM_SJ-0013_XX_00-DR-TR-0008
- BCIDB-JAC-TSM_SJ-0013_XX_00-DR-TR-0009
- BCIDB-JAC-TSM_SJ-0013_XX_00-DR-TR-0010
- BCIDB-JAC-TSM_SJ-0013_XX_00-DR-TR-0011
- BCIDB-JAC-TSM_SJ-0013_XX_00-DR-TR-0012
- BCIDB-JAC-TSM_SJ-0013_XX_00-DR-TR-0013
- BCIDB-JAC-TSM_SJ-0013_XX_00-DR-TR-0014
- BCIDB-JAC-TSM_SJ-0013_XX_00-DR-TR-0015
- BCIDB-JAC-TSM_SJ-0013_XX_00-DR-TR-0016
- BCIDB-JAC-TSM_SJ-0013_XX_00-DR-TR-0017
- BCIDB-JAC-TSM_SJ-0013_XX_00-DR-TR-0018
- BCIDB-JAC-TSM_SJ-0013_XX_00-DR-TR-0019
- BCIDB-JAC-TSM_SJ-0013_XX_00-DR-TR-0020
- BCIDB-JAC-TSM_SJ-0013_XX_00-DR-TR-0021
- BCIDB-JAC-TSM_SJ-0013_XX_00-DR-TR-0022
- BCIDB-JAC-TSM_SJ-0013_XX_00-DR-TR-0023
- BCIDB-JAC-TSM_SJ-0013_XX_00-DR-TR-0024
- BCIDB-JAC-TSM_SJ-0013_XX_00-DR-TR-0025
- BCIDB-JAC-TSM_SJ-0013_XX_00-DR-TR-0026
- BCIDB-JAC-TSM_SJ-0013_XX_00-DR-TR-0027
- BCIDB-JAC-TSM_SJ-0013_XX_00-DR-TR-0028
- BCIDB-JAC-TSM_SJ-0013_XX_00-DR-TR-0029
- BCIDB-JAC-TSM_SJ-0013_XX_00-DR-TR-0030
- BCIDB-JAC-TSM_SJ-0013_XX_00-DR-TR-0031
- BCIDB-JAC-TSM_SJ-0013_XX_00-DR-TR-0032

DRAWING SERIES DESCRIPTION

- BRAY TO CITY CENTRE CORE BUS CORRIDOR SCHEME. JUNCTION SYSTEMS DESIGN. COVER SHEET 1
- BRAY TO CITY CENTRE CORE BUS CORRIDOR SCHEME. JUNCTION SYSTEMS DESIGN. COVER SHEET 2
- BRAY TO CITY CENTRE CORE BUS CORRIDOR SCHEME. JUNCTION SYSTEMS DESIGN. KEY PLAN
- BRAY TO CITY CENTRE CORE BUS CORRIDOR SCHEME. JUNCTION SYSTEMS DESIGN. ST STEPHEN'S GREEN / EARLSFORT TERRACE
- BRAY TO CITY CENTRE CORE BUS CORRIDOR SCHEME. JUNCTION SYSTEMS DESIGN. LEESON STREET LOWER / HATCH STREET
- BRAY TO CITY CENTRE CORE BUS CORRIDOR SCHEME. JUNCTION SYSTEMS DESIGN. LEESON ST LOWER / FITZWILLIAM PLACE
- BRAY TO CITY CENTRE CORE BUS CORRIDOR SCHEME. JUNCTION SYSTEMS DESIGN. LEESON ST UPPER / GRAND PARADE
- BRAY TO CITY CENTRE CORE BUS CORRIDOR SCHEME. JUNCTION SYSTEMS DESIGN. LEESON STREET UPPER / DARTMOUTH ROAD
- BRAY TO CITY CENTRE CORE BUS CORRIDOR SCHEME. JUNCTION SYSTEMS DESIGN. SUSSEX ROAD / SUSSEX TERRACE
- BRAY TO CITY CENTRE CORE BUS CORRIDOR SCHEME. JUNCTION SYSTEMS DESIGN. LEESON STREET UPPER / BURLINGTON ROAD
- BRAY TO CITY CENTRE CORE BUS CORRIDOR SCHEME. JUNCTION SYSTEMS DESIGN. LEESON STREET UPPER / APPIAN WAY
- BRAY TO CITY CENTRE CORE BUS CORRIDOR SCHEME. JUNCTION SYSTEMS DESIGN. LEESON STREET UPPER / WATERLOO
- BRAY TO CITY CENTRE CORE BUS CORRIDOR SCHEME. JUNCTION SYSTEMS DESIGN. LEESON STREET UPPER / WELLINGTON PLACE
- BRAY TO CITY CENTRE CORE BUS CORRIDOR SCHEME. JUNCTION SYSTEMS DESIGN. MOREHAMPTON ROAD / BLOOMFIELD AVENUE
- BRAY TO CITY CENTRE CORE BUS CORRIDOR SCHEME. JUNCTION SYSTEMS DESIGN. MOREHAMPTON ROAD / HERBERT PARK
- BRAY TO CITY CENTRE CORE BUS CORRIDOR SCHEME. JUNCTION SYSTEMS DESIGN. DONNYBROOK ROAD / BELMONT AVENUE
- BRAY TO CITY CENTRE CORE BUS CORRIDOR SCHEME. JUNCTION SYSTEMS DESIGN. DONNYBROOK ROAD / EGLINTON TERRACE
- BRAY TO CITY CENTRE CORE BUS CORRIDOR SCHEME. JUNCTION SYSTEMS DESIGN. DONNYBROOK ROAD / ANGLESEA ROAD
- BRAY TO CITY CENTRE CORE BUS CORRIDOR SCHEME. JUNCTION SYSTEMS DESIGN. STILLORGAN ROAD / AIRFIELD PARK
- BRAY TO CITY CENTRE CORE BUS CORRIDOR SCHEME. JUNCTION SYSTEMS DESIGN. STILLORGAN ROAD / GREENFIELD PARK
- BRAY TO CITY CENTRE CORE BUS CORRIDOR SCHEME. JUNCTION SYSTEMS DESIGN. UCD GRADE SEPERATED JUNCTION
- BRAY TO CITY CENTRE CORE BUS CORRIDOR SCHEME. JUNCTION SYSTEMS DESIGN. STILLORGAN ROAD / FOSTERS AVENUE
- BRAY TO CITY CENTRE CORE BUS CORRIDOR SCHEME. JUNCTION SYSTEMS DESIGN. STILLORGAN ROAD / BELFIELD PARK
- BRAY TO CITY CENTRE CORE BUS CORRIDOR SCHEME. JUNCTION SYSTEMS DESIGN. N11 STILLORGAN ROAD / BOOTERSTOWN AVENUE
- BRAY TO CITY CENTRE CORE BUS CORRIDOR SCHEME. JUNCTION SYSTEMS DESIGN. N11 STILLORGAN ROAD / MOUNT MERRION
- BRAY TO CITY CENTRE CORE BUS CORRIDOR SCHEME. JUNCTION SYSTEMS DESIGN. N11 STILLORGAN ROAD / TREESDALE
- BRAY TO CITY CENTRE CORE BUS CORRIDOR SCHEME. JUNCTION SYSTEMS DESIGN. N11 STILLORGAN ROAD / PRIORY DRIVE
- BRAY TO CITY CENTRE CORE BUS CORRIDOR SCHEME. JUNCTION SYSTEMS DESIGN. N11 STILLORGAN ROAD / LOWER KILMACUD ROAD

C:\pwworking\jacobs_uk_highways_asd\legintl_bayard\148470\BCIDB-JAC-TSM_IX-0013_XX_00-DR-TR-0001.dwg

Disclaimer

a. © National Transport Authority (NTA) 2022. This drawing is confidential and the copyright in it is owned by NTA. This drawing must not be either loaned, copied or otherwise reproduced in whole or in part or used for any purpose without the prior permission of NTA.

b. This drawing is to be used for the design element identified in the titleblock. Other information shown is to be considered indicative only. The drawing is to be read in conjunction with all other relevant design drawings.

c. O.S. data used for plans are printed under © Ordnance Survey Ireland Government of Ireland. All rights reserved. Licence Number 2022/OSI_NMA_160 National Transport Authority. All elevations are in metres and relate to OSi Geoid Model (OSGM15) Mean Head. All Co-ordinates are in Irish Transverse Mercator Grid (ITM) as defined by OSi active local GPS station.

d. Information concerning the position of apparatus shown on this drawing is based on drawings supplied by the utility owners and/or the utility works contractor, whilst every care has been taken in the preparation of this drawing, positions should be taken as approximate and are intended for general guidance only and no representation is made by the NTA as to the accuracy, completeness, sufficiency or otherwise of this drawing and the position of the apparatus. The information contained herein does not purport to be comprehensive or final as the apparatus is subject to being altered and/or superseded. Recipients should not rely on this information. Any liabilities are hereby expressly disclaimed.

e. The information contained herein has been provided by the NTA but does not purport to be comprehensive or final. Recipients should not rely on the information. Neither the NTA nor any of its directors, officers, employees, agents, stakeholders or advisers make any representation or warranty as to, or accept any liability or responsibility in relation to, the adequacy, accuracy, reasonableness or completeness of the information provided as part of this document or any matter on which the information is based (including but not limited to loss or damage arising as a result of reliance by recipients on the information or any part of it). Any liabilities are hereby expressly disclaimed.

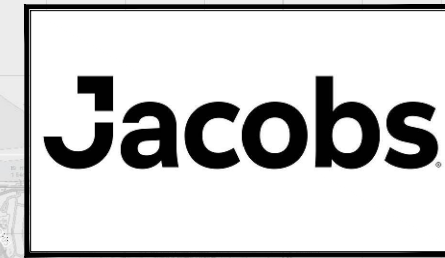


Rev	Date	Dm	Chk'd	App'd	Description
M01	08/05/2023	RB	RH	RS	ISSUE FOR PHASE 4: PLANNING

Date	Scale	Drawn	Checked	Approved
08/05/2023	NTS @ A1 NTS @ A3	RB	RH	RS
Project Code	Originator Code	QMS Code		
BCIDB	JAC			

Programme Title BUSCONNECTS DUBLIN CORE BUS CORRIDORS INFRASTRUCTURE WORKS				
Drawing Title BRAY TO CITY CENTRE CORE BUS CORRIDOR SCHEME JUNCTION SYSTEMS DESIGN COVER SHEET (1 OF 2)				
Drawing File Name	Sheet Number	Status	Rev	
BCIDB-JAC-TSM_IX -0013_XX_00 -DR-TR-0001	01 of 02	A	M01	

DO NOT SCALE USE FIGURED DIMENSIONS ONLY



BUSCONNECTS DUBLIN CORE BUS CORRIDORS INFRASTRUCTURE WORKS

BRAY TO CITY CENTRE CORE BUS CORRIDOR SCHEME

JUNCTION SYSTEMS DESIGN

DRAWING SERIES NUMBER(S)

- BCIDB-JAC-TSM_SJ-0013_XX_00-DR-TR-0033
- BCIDB-JAC-TSM_SJ-0013_XX_00-DR-TR-0034
- BCIDB-JAC-TSM_SJ-0013_XX_00-DR-TR-0035
- BCIDB-JAC-TSM_SJ-0013_XX_00-DR-TR-0036
- BCIDB-JAC-TSM_SJ-0013_XX_00-DR-TR-0037
- BCIDB-JAC-TSM_SJ-0013_XX_00-DR-TR-0038
- BCIDB-JAC-TSM_SJ-0013_XX_00-DR-TR-0039
- BCIDB-JAC-TSM_SJ-0013_XX_00-DR-TR-0040
- BCIDB-JAC-TSM_SJ-0013_XX_00-DR-TR-0041
- BCIDB-JAC-TSM_SJ-0013_XX_00-DR-TR-0042
- BCIDB-JAC-TSM_SJ-0013_XX_00-DR-TR-0043
- BCIDB-JAC-TSM_SJ-0013_XX_00-DR-TR-0044
- BCIDB-JAC-TSM_SJ-0013_XX_00-DR-TR-0045
- BCIDB-JAC-TSM_SJ-0013_XX_00-DR-TR-0046
- BCIDB-JAC-TSM_SJ-0013_XX_00-DR-TR-0048
- BCIDB-JAC-TSM_SJ-0013_XX_00-DR-TR-0049
- BCIDB-JAC-TSM_SJ-0013_XX_00-DR-TR-0050
- BCIDB-JAC-TSM_SJ-0013_XX_00-DR-TR-0051
- BCIDB-JAC-TSM_SJ-0013_XX_00-DR-TR-0052
- BCIDB-JAC-TSM_SJ-0013_XX_00-DR-TR-0053
- BCIDB-JAC-TSM_SJ-0013_XX_00-DR-TR-0054
- BCIDB-JAC-TSM_SJ-0013_XX_00-DR-TR-0055
- BCIDB-JAC-TSM_SJ-0013_XX_00-DR-TR-0056
- BCIDB-JAC-TSM_SJ-0013_XX_00-DR-TR-0057
- BCIDB-JAC-TSM_SJ-0013_XX_00-DR-TR-0058
- BCIDB-JAC-TSM_SJ-0013_XX_00-DR-TR-0059
- BCIDB-JAC-TSM_SJ-0013_XX_00-DR-TR-0060

DRAWING SERIES DESCRIPTION

- BRAY TO CITY CENTRE CORE BUS CORRIDOR SCHEME. JUNCTION SYSTEMS DESIGN. N11 STILLORGAN ROAD / FARMLEIGH AVENUE
- BRAY TO CITY CENTRE CORE BUS CORRIDOR SCHEME. JUNCTION SYSTEMS DESIGN. N11 STILLORGAN ROAD / LEOPARDSTOWN ROAD
- BRAY TO CITY CENTRE CORE BUS CORRIDOR SCHEME. JUNCTION SYSTEMS DESIGN. N11 STILLORGAN ROAD / SPRINGFIELD PARK
- BRAY TO CITY CENTRE CORE BUS CORRIDOR SCHEME. JUNCTION SYSTEMS DESIGN. N11 STILLORGAN ROAD / KILL LANE JUNCTION
- BRAY TO CITY CENTRE CORE BUS CORRIDOR SCHEME. JUNCTION SYSTEMS DESIGN. N11 STILLORGAN ROAD / WESTMINSTER ROAD
- BRAY TO CITY CENTRE CORE BUS CORRIDOR SCHEME. JUNCTION SYSTEMS DESIGN. N11 STILLORGAN ROAD / BRAY ROAD
- BRAY TO CITY CENTRE CORE BUS CORRIDOR SCHEME. JUNCTION SYSTEMS DESIGN. N11 BRAY ROAD / CLONKEEN ROAD
- BRAY TO CITY CENTRE CORE BUS CORRIDOR SCHEME. JUNCTION SYSTEMS DESIGN. N11 BRAY ROAD / JOHNSTOWN ROAD
- BRAY TO CITY CENTRE CORE BUS CORRIDOR SCHEME. JUNCTION SYSTEMS DESIGN. N11 BRAY ROAD / CHERRYWOOD JUNCTION
- BRAY TO CITY CENTRE CORE BUS CORRIDOR SCHEME. JUNCTION SYSTEMS DESIGN. N11 BRAY ROAD SOUTHBOUND SLIP ROADS
- BRAY TO CITY CENTRE CORE BUS CORRIDOR SCHEME. JUNCTION SYSTEMS DESIGN. LOUGHLINSTOWN ROUNDABOUT
- BRAY TO CITY CENTRE CORE BUS CORRIDOR SCHEME. JUNCTION SYSTEMS DESIGN. DUBLIN ROAD / STONEBRIDGE ROAD
- BRAY TO CITY CENTRE CORE BUS CORRIDOR SCHEME. JUNCTION SYSTEMS DESIGN. DUBLIN ROAD / SHANGANAGH ROAD / CORBAWN LANE
- BRAY TO CITY CENTRE CORE BUS CORRIDOR SCHEME. JUNCTION SYSTEMS DESIGN. SHANGANAGH ROAD / BEECHFIELD MANOR
- BRAY TO CITY CENTRE CORE BUS CORRIDOR SCHEME. JUNCTION SYSTEMS DESIGN. DUBLIN ROAD / QUINNS ROAD / CHERRINGTON ROAD
- BRAY TO CITY CENTRE CORE BUS CORRIDOR SCHEME. JUNCTION SYSTEMS DESIGN. DUBLIN ROAD / M11 JUNCTION
- BRAY TO CITY CENTRE CORE BUS CORRIDOR SCHEME. JUNCTION SYSTEMS DESIGN. DUBLIN ROAD / CORKE ABBEY AVENUE
- BRAY TO CITY CENTRE CORE BUS CORRIDOR SCHEME. JUNCTION SYSTEMS DESIGN. DUBLIN ROAD / UPPER DARGLE ROAD
- BRAY TO CITY CENTRE CORE BUS CORRIDOR SCHEME. JUNCTION SYSTEMS DESIGN. DONNYBROOK ROAD / EGLINTON ROAD
- BRAY TO CITY CENTRE CORE BUS CORRIDOR SCHEME. JUNCTION SYSTEMS DESIGN. N11 BRAY ROAD / WYATTVILLE NORTHBOUND
- BRAY TO CITY CENTRE CORE BUS CORRIDOR SCHEME. JUNCTION SYSTEMS DESIGN. N11 BRAY ROAD / CHERRYWOOD ROAD
- BRAY TO CITY CENTRE CORE BUS CORRIDOR SCHEME. JUNCTION SYSTEMS DESIGN. DUBLIN ROAD / SHANGANAGH PARK JUNCTION
- BRAY TO CITY CENTRE CORE BUS CORRIDOR SCHEME. JUNCTION SYSTEMS DESIGN. DUBLIN ROAD / WOODBROOK JUNCTION
- BRAY TO CITY CENTRE CORE BUS CORRIDOR SCHEME. JUNCTION SYSTEMS DESIGN. DUBLIN ROAD / CHAPEL LANE JUNCTION
- BRAY TO CITY CENTRE CORE BUS CORRIDOR SCHEME. JUNCTION SYSTEMS DESIGN. DUBLIN ROAD / OLCOVAR JUNCTION
- BRAY TO CITY CENTRE CORE BUS CORRIDOR SCHEME. JUNCTION SYSTEMS DESIGN. N11 STILLORGAN ROAD / BELMONT TERRACE
- BRAY TO CITY CENTRE CORE BUS CORRIDOR SCHEME. JUNCTION SYSTEMS DESIGN. HATCH STREET LOWER / EARLSFORT TERRACE

C:\pwworking\jacobs_uk_highways_asd\legintl_bayard\148470\BCIDB-JAC-TSM_IX-0013_XX_00-DR-TR-0001.dwg

Disclaimer

a. © National Transport Authority (NTA) 2022. This drawing is confidential and the copyright in it is owned by NTA. This drawing must not be either loaned, copied or otherwise reproduced in whole or in part or used for any purpose without the prior permission of NTA.

b. This drawing is to be used for the design element identified in the titleblock. Other information shown is to be considered indicative only. The drawing is to be read in conjunction with all other relevant design drawings.

c. O.S. data used for plans are printed under © Ordnance Survey Ireland Government of Ireland. All rights reserved. Licence Number 2022/OSI_NMA_160 National Transport Authority. All elevations are in metres and relate to OSI Geoid Model (OSGM15) Mean Head. All Co-ordinates are in Irish Transverse Mercator Grid (ITM) as defined by OSI active local GPS station.

d. Information concerning the position of apparatus shown on this drawing is based on drawings supplied by the utility owners and/or the utility works contractor, whilst every care has been taken in the preparation of this drawing, positions should be taken as approximate and are intended for general guidance only and no representation is made by the NTA as to the accuracy, completeness, sufficiency or otherwise of this drawing and the position of the apparatus. The information contained herein does not purport to be comprehensive or final as the apparatus is subject to being altered and/or superseded. Recipients should not rely on this information. Any liabilities are hereby expressly disclaimed.

e. The information contained herein has been provided by the NTA but does not purport to be comprehensive or final. Recipients should not rely on the information. Neither the NTA nor any of its directors, officers, employees, agents, stakeholders or advisers make any representation or warranty as to, or accept any liability or responsibility in relation to, the adequacy, accuracy, reasonableness or completeness of the information provided as part of this document or any matter on which the information is based (including but not limited to loss or damage arising as a result of reliance by recipients on the information or any part of it). Any liabilities are hereby expressly disclaimed.

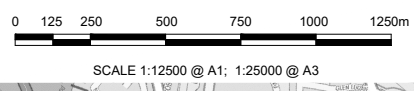
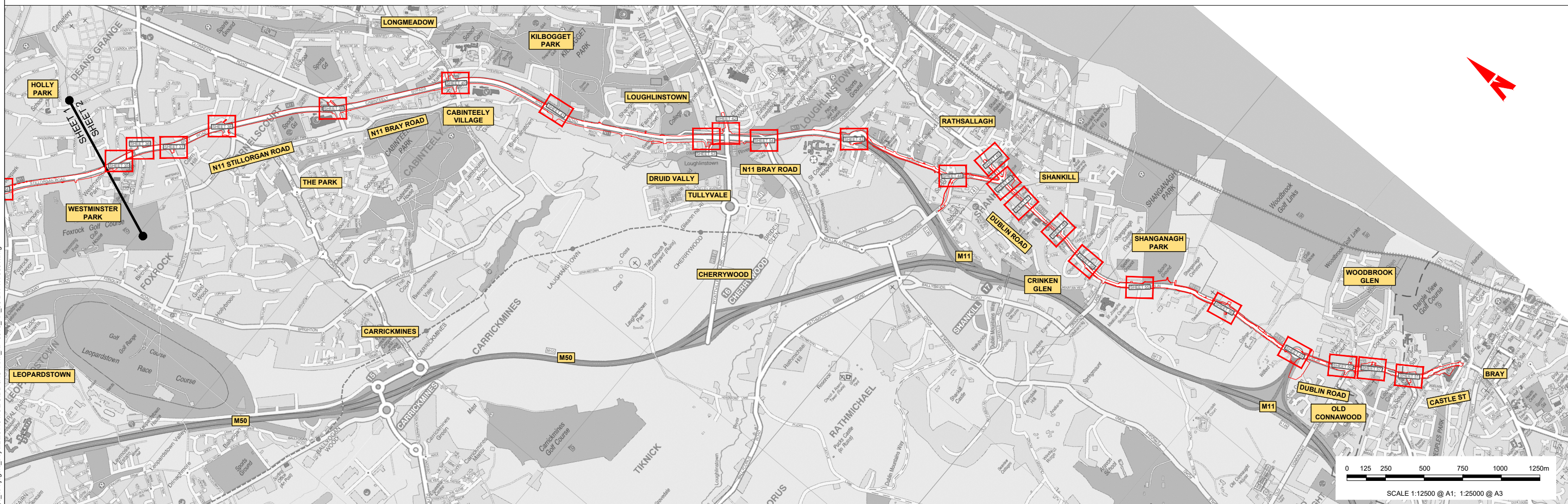
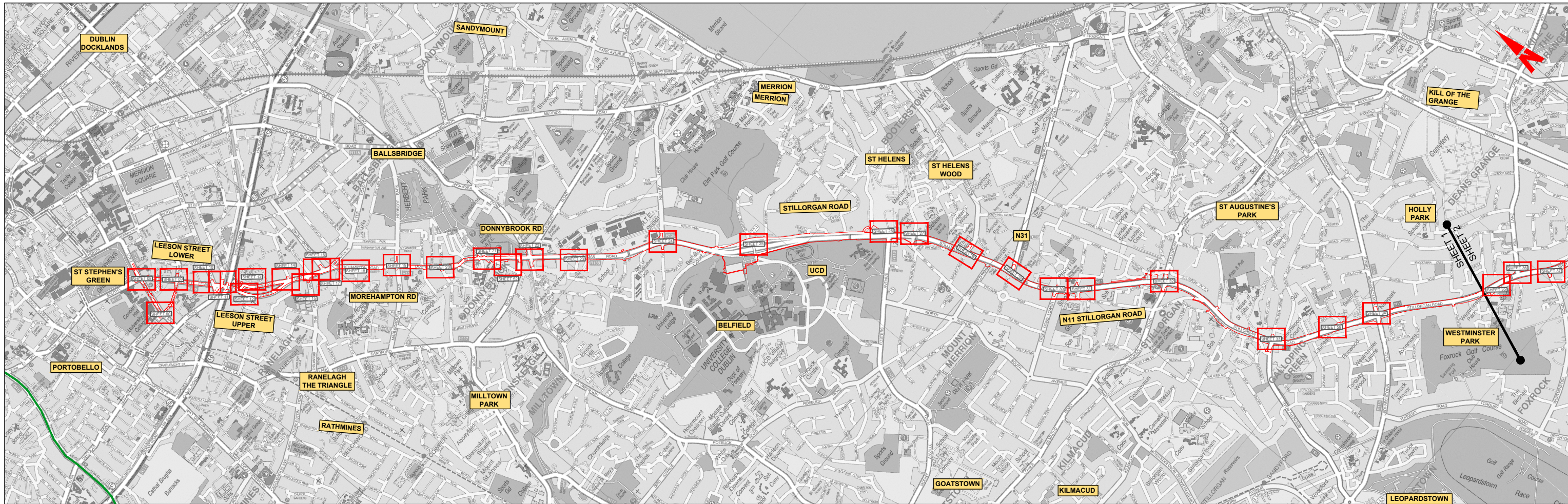


Rev	Date	Drn	Chk'd	App'd	Description
M01	08/05/2023	RB	RH	RS	ISSUE FOR PHASE 4: PLANNING

 Údarás Náisiúnta Iompair National Transport Authority				
Date	Scale	Drawn	Checked	Approved
08/05/2023	NTS @ A1 NTS @ A3	RB	RH	RS
Project Code	Originator Code	OMS Code		
BCIDB	JAC			

Programme Title BUSCONNECTS DUBLIN CORE BUS CORRIDORS INFRASTRUCTURE WORKS				
Drawing Title BRAY TO CITY CENTRE CORE BUS CORRIDOR SCHEME JUNCTION SYSTEMS DESIGN COVER SHEET (2 OF 2)				
Drawing File Name	Sheet Number	Status	Rev	
BCIDB-JAC-TSM_IX -0013_XX_00 -DR-TR-0002	02 of 02	A	M01	

DO NOT SCALE USE FIGURED DIMENSIONS ONLY



Disclaimer
 a. © National Transport Authority (NTA) 2022. This drawing is confidential and the copyright in it is owned by NTA. This drawing must not be either loaned, copied or otherwise reproduced in whole or in part or used for any purpose without the prior permission of NTA.
 b. This drawing is to be used for the design element identified in the titleblock. Other information shown is to be considered indicative only. The drawing is to be read in conjunction with all other relevant design drawings.
 c. O.S. data used for plans are printed under Ordnance Survey Ireland Government of Ireland. All rights reserved. Licence Number 2022/OSI, NMA, 150 National Transport Authority. All elevations are in metres and relate to OSi Geoid Model (OSGM15) Mean Head. All Co-ordinates are in Irish Transverse Mercator Grid (ITM) as defined by OSi active local GPS station.
 d. Information concerning the position of apparatus shown on this drawing is based on drawings supplied by the utility owners and/or the utility works contractor, whilst every care has been taken in the preparation of this drawing, positions should be taken as approximate and are intended for general guidance only and no representation is made by the NTA as to the accuracy, completeness, sufficiency or otherwise of this drawing and the position of the apparatus. The information contained herein does not purport to be comprehensive or final as the apparatus is subject to being altered and/or superseded. Recipients should not rely on this information. Any liabilities are hereby expressly disclaimed.

The information contained herein has been provided by the NTA but does not purport to be comprehensive or final. Recipients should not rely on the information. Neither the NTA nor any of its directors, officers, employees, agents, stakeholders or advisers make any representation or warranty as to, or accept any liability or responsibility in relation to, the adequacy, accuracy, reasonableness or completeness of the information provided as part of this document or any matter on which the information is based (including but not limited to loss or damage arising as a result of reliance by recipients on the information or any part of it). Any liabilities are hereby expressly disclaimed.

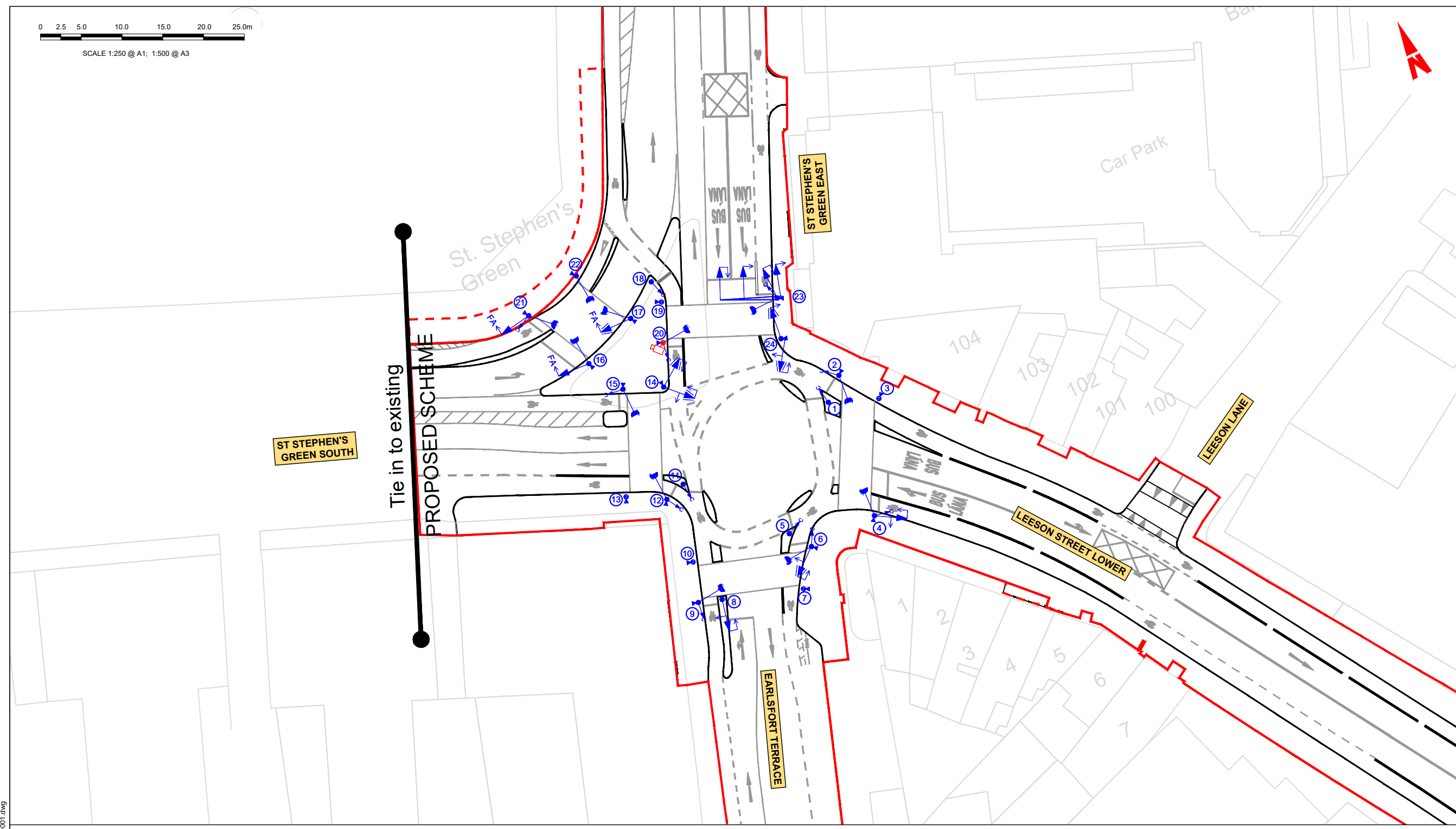
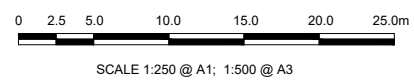
Project Ireland 2040
 Building Ireland's Future

Rev	Date	Dm	Chk'd	App'd	Description
M01	08/05/2023	RB	RH	RS	ISSUE FOR PHASE 4: PLANNING

Client		Engineering Designer		Programme Title	
NTA Údarás Náisiúnta Iompair National Transport Authority		Jacobs		BUSCONNECTS DUBLIN CORE BUS CORRIDORS INFRASTRUCTURE WORKS	
Date	Scale	Drawn	Checked	Approved	Drawing Title
08/05/2023	1:12500 @ A1 1:25000 @ A3	RB	RH	RS	BRAY TO CITY CENTRE CORE BUS CORRIDOR SCHEME JUNCTION SYSTEMS DESIGN KEY PLAN
Project Code	Originator Code	OMS Code		Drawing File Name	Sheet Number
BCIDB	JAC			BCIDB-JAC-TSM_KP-0013_XX_00-DR-TR-0001	01 of 01
Status	Rev				
A	M01				

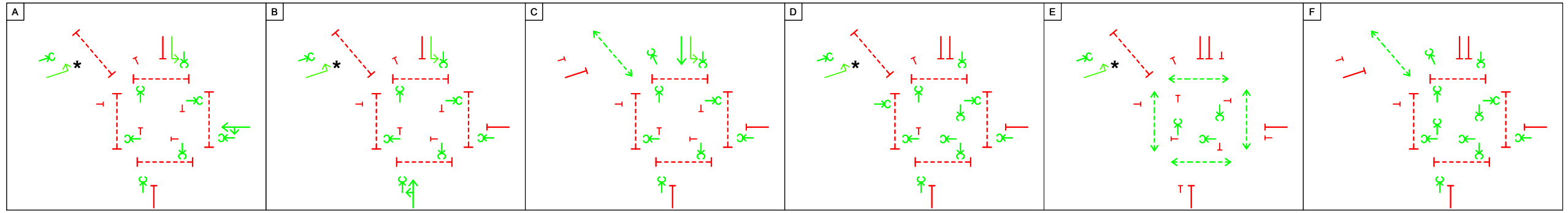
DO NOT SCALE USE FIGURED DIMENSIONS ONLY

Drawing File Name: BCIDB-JAC-TSM_KP-0013_XX_00-DR-TR-0001
 Sheet Number: 01 of 01
 Status: A
 Rev: M01



- LEGEND:**
- TRAFFIC SIGNAL HEADS:**
- RTS 001 PRIMARY
 - RTS 002 PRIMARY
 - RTS 002 SECONDARY
 - RTS 003 PRIMARY
 - RTS 003 SECONDARY
 - RTS 003 PRIMARY
 - RTS 003 SECONDARY
 - RTS 003 PRIMARY
 - RTS 003 SECONDARY
 - RTS 007 (LOW LEVEL) PRIMARY
 - RTS 007 CYCLE HEAD
 - RPC 004 PEDESTRIAN HEAD
- TRAFFIC SIGNAL EQUIPMENT:**
- POLE (STANDARD HEIGHT)
 - SMALL POLE
 - TALL POLE (TRAFFIC SIGNALS)
 - MAST ARM (VARIABLE LENGTH)
 - TALL POLE (CCTV/TRAFFIC SIGNALS)
 - POLE NUMBER
 - PUSH BUTTON UNIT
 - PAN / TILT / ZOOM CCTV CAMERA
- GENERAL:**
- SITE BOUNDARY LINE
 - TEMPORARY LAND ACQUISITION

INDICATIVE METHOD OF CONTROL



* DENOTES FLASHING AMBER

C:\pwworking\jacobs_uk_highways_ssd\legintl_bayd2d\148470\BCIDB-JAC-TSM_SJ-0013_XX_00-DR-TR-0001.dwg

Disclaimer

a. © National Transport Authority (NTA) 2022. This drawing is confidential and the copyright in it is owned by NTA. This drawing must not be either loaned, copied or otherwise reproduced in whole or in part or used for any purpose without the prior permission of NTA.

b. This drawing is to be used for the design element identified in the titleblock. Other information shown is to be considered indicative only. The drawing is to be read in conjunction with all other relevant design drawings.

c. O.S. data used for plans are printed under © Ordnance Survey Ireland Government of Ireland. All rights reserved. Licence Number 2022/OSI_NMA_180 National Transport Authority. All elevations are in metres and relate to OS Geoid Model (OSGM15) Mean Head. All Co-ordinates are in Irish Transverse Mercator Grid (ITM) as defined by OSI active local GPS station.

d. Information concerning the position of apparatus shown on this drawing is based on drawings supplied by the utility owners and/or the utility works contractor, whilst every care has been taken in the preparation of this drawing, positions should be taken as appropriate and are intended for general guidance only and no representation is made by the NTA as to the accuracy, completeness, sufficiency or otherwise of this drawing and the position of the apparatus. The information contained herein does not purport to be comprehensive or final as the apparatus is subject to being altered and/or superseded. Recipients should not rely on this information. Any liabilities are hereby expressly disclaimed.

e. The information contained herein has been provided by the NTA but does not purport to be comprehensive or final. Recipients should not rely on the information. Neither the NTA nor any of its directors, officers, employees, agents, stakeholders or advisers make any representation or warranty as to, or accept any liability or responsibility in relation to, the adequacy, accuracy, reasonableness or completeness of the information provided as part of this document or any matter on which the information is based (including but not limited to loss or damage arising as a result of reliance by recipients on the information or any part of it). Any liabilities are hereby expressly disclaimed.



Rev	Date	Drn	Chk'd	App'd	Description
M01	08/05/2023	RB	RH	RS	ISSUE FOR PHASE 4: PLANNING

Client: **NTA**
Údarás Náisiúnta Iompair
National Transport Authority

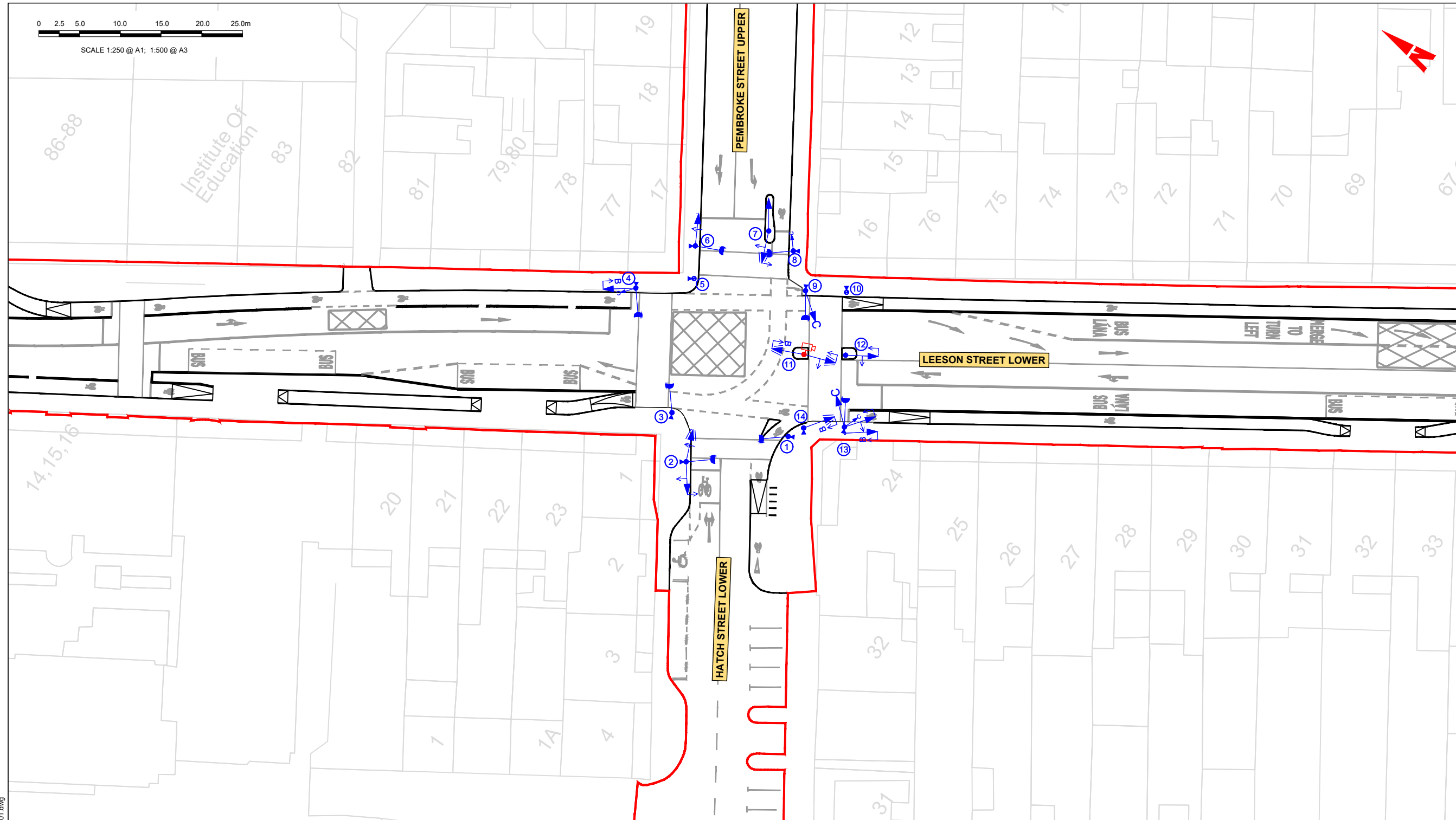
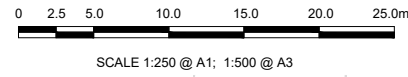
Engineering Designer: **Jacobs**

Date: 08/05/2023 | Scale: 1:250 @ A1, 1:500 @ A3 | Drawn: RB | Checked: RH | Approved: RS

Project Code: BCIDB | Originator Code: JAC | OMS Code:

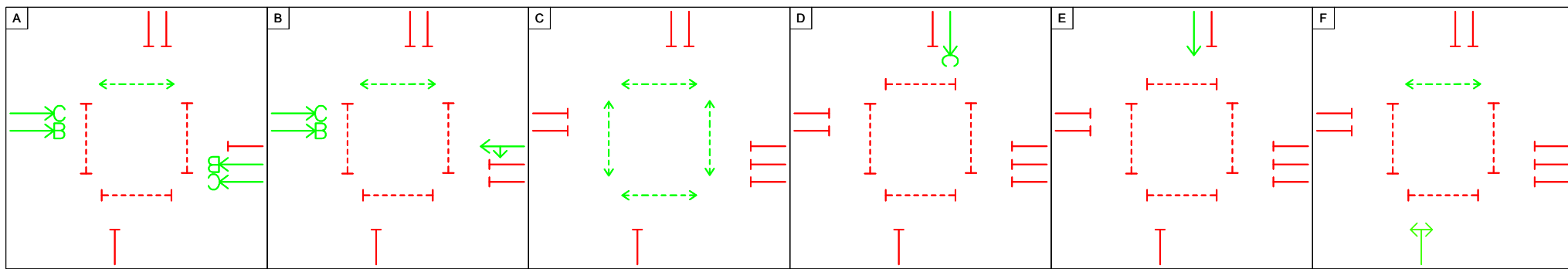
Programme Title BUSCONNECTS DUBLIN CORE BUS CORRIDORS INFRASTRUCTURE WORKS			
Drawing Title BRAY TO CITY CENTRE CORE BUS CORRIDOR SCHEME JUNCTION SYSTEMS DESIGN ST STEPHEN'S GREEN / EARLSFORT TERRACE JUNCTION			
Drawing File Name BCIDB-JAC-TSM_SJ-0013_XX_00-DR-TR-0008	Sheet Number 08 of 60	Status A	Rev M01

DO NOT SCALE USE FIGURED DIMENSIONS ONLY



- LEGEND:**
- TRAFFIC SIGNAL HEADS:**
- RTS 001 PRIMARY
 - RTS 002 PRIMARY
 - RTS 002 SECONDARY
 - RTS 003 PRIMARY
 - RTS 003 SECONDARY
 - RTS 003 PRIMARY
 - RTS 003 SECONDARY
 - RTS 003 PRIMARY
 - RTS 003 SECONDARY
 - RTS 007 (LOW LEVEL) PRIMARY
 - RTS 007 CYCLE HEAD
 - RPC 004 PEDESTRIAN HEAD
- TRAFFIC SIGNAL EQUIPMENT:**
- POLE (STANDARD HEIGHT)
 - SMALL POLE
 - TALL POLE (TRAFFIC SIGNALS)
 - MAST ARM (VARIABLE LENGTH)
 - TALL POLE (CCTV/TRAFFIC SIGNALS)
 - POLE NUMBER
 - PUSH BUTTON UNIT
 - PAN / TILT / ZOOM CCTV CAMERA
- GENERAL:**
- SITE BOUNDARY LINE
 - TEMPORARY LAND ACQUISITION

INDICATIVE METHOD OF CONTROL



Disclaimer

a. © National Transport Authority (NTA) 2022. This drawing is confidential and the copyright in it is owned by NTA. This drawing must not be either loaned, copied or otherwise reproduced in whole or in part or used for any purpose without the prior permission of NTA.

b. This drawing is to be used for the design element identified in the titleblock. Other information shown is to be considered indicative only. The drawing is to be read in conjunction with all other relevant design drawings.

c. O.S. data used for plans are printed under © Ordnance Survey Ireland Government of Ireland. All rights reserved. Licence Number 2022/OSI/NMA_180 National Transport Authority. All elevations are in metres and relate to OSI Geoid Model (OSGM15) Mean Head. All Co-ordinates are in Irish Transverse Mercator Grid (ITM) as defined by OSI active local GPS station.

d. Information concerning the position of apparatus shown on this drawing is based on drawings supplied by the utility owners and/or the utility works contractor, whilst every care has been taken in the preparation of this drawing, positions should be taken as appropriate and are intended for general guidance only and no representation is made by the NTA as to the accuracy, completeness, sufficiency or otherwise of this information. The information contained herein does not purport to be comprehensive or final as the apparatus is subject to being altered and/or superseded. Recipients should not rely on this information. Any liabilities are hereby expressly disclaimed.

e. The information contained herein has been provided by the NTA but does not purport to be comprehensive or final. Recipients should not rely on the information. Neither the NTA nor any of its directors, officers, employees, agents, stakeholders or advisers make any representation or warranty as to, or accept any liability or responsibility in relation to, the adequacy, accuracy, reasonableness or completeness of the information provided as part of this document or any matter on which the information is based (including but not limited to loss or damage arising as a result of reliance by recipients on the information or any part of it). Any liabilities are hereby expressly disclaimed.



Rev	Date	Dm	Chk'd	App'd	Description
M01	08/05/2023	RB	RH	RS	ISSUE FOR PHASE 4: PLANNING

Client: **NTA** (Údarás Náisiúnta Iompair National Transport Authority)

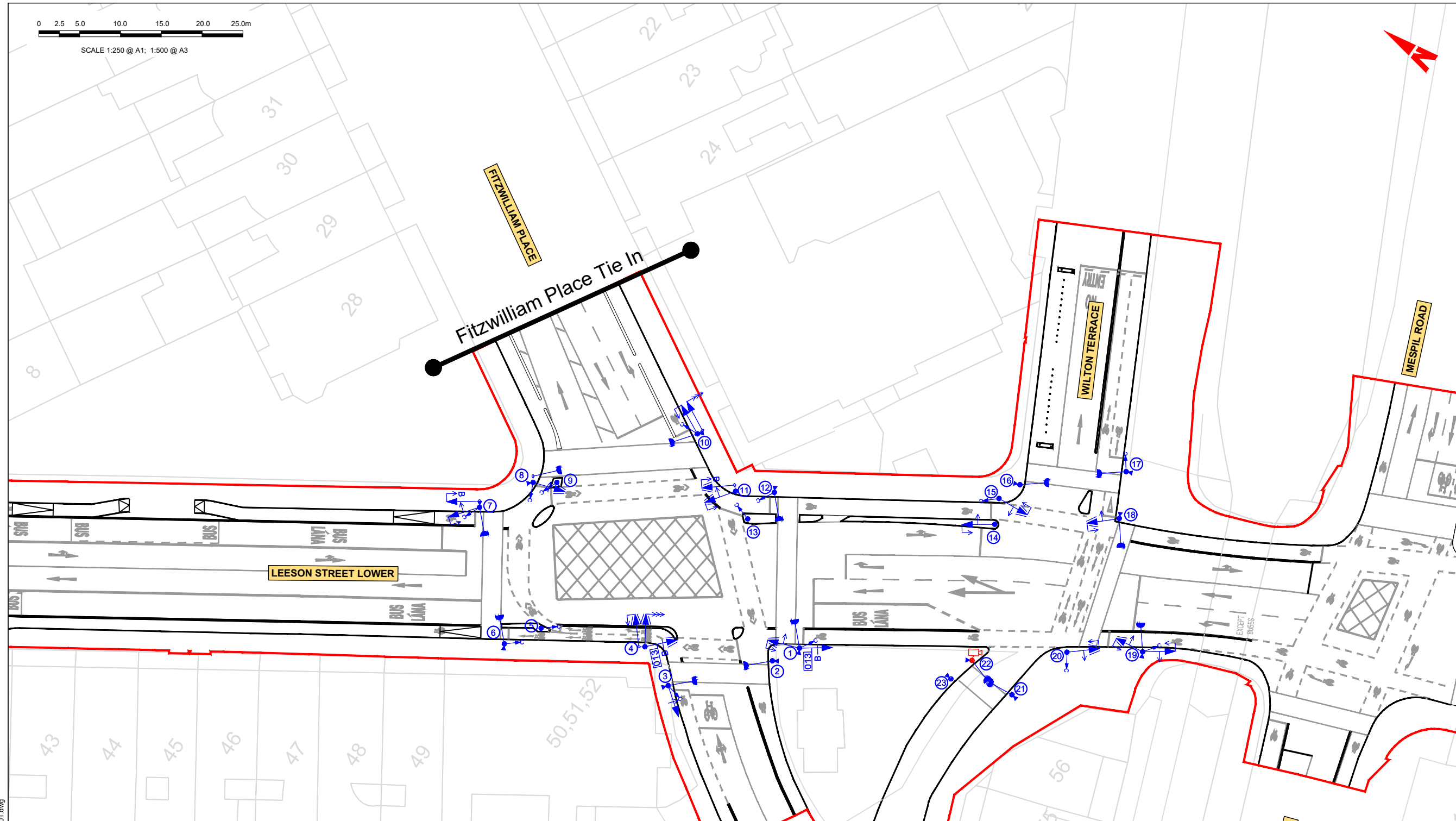
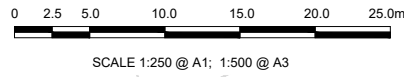
Engineering Designer: **Jacobs**

Date	Scale	Drawn	Checked	Approved
08/05/2023	1:250 @ A1 1:500 @ A3	RB	RH	RS
Project Code	Originator Code	QMS Code		
BCIDB	JAC			

Programme Title			
BUSCONNECTS DUBLIN			
CORE BUS CORRIDORS INFRASTRUCTURE WORKS			
Drawing Title			
BRAY TO CITY CENTRE CORE BUS CORRIDOR SCHEME			
JUNCTION SYSTEMS DESIGN			
LEESON STREET LOWER / HATCH STREET			
Drawing File Name	Sheet Number	Status	Rev
BCIDB-JAC-TSM_SJ-0013_XX_00-DR-TR-0009	09 of 60	A	M01

DO NOT SCALE USE FIGURED DIMENSIONS ONLY

C:\pwworking\jacobs_uk_highways_asd\legintl_bay\d2d148470\BCIDB-JAC-TSM_SJ-0013_XX_00-DR-TR-0001.dwg



LEGEND:

TRAFFIC SIGNAL HEADS:

- RTS 002 PRIMARY
- RTS 002 SECONDARY
- RTS 003 PRIMARY
- RTS 003 SECONDARY
- RTS 003 (RUS 013) PRIMARY
- RTS 003 (RUS 013) SECONDARY
- RTS 007 (LOW LEVEL) PRIMARY
- RPC 004 PEDESTRIAN HEAD

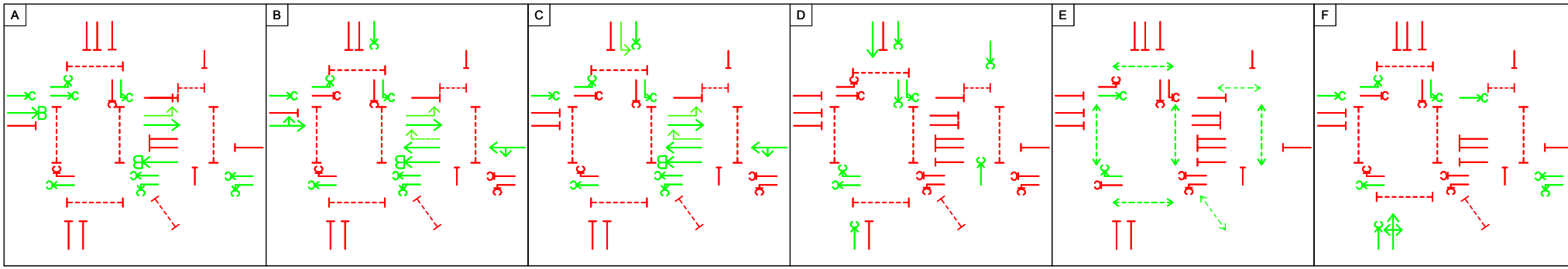
TRAFFIC SIGNAL EQUIPMENT:

- POLE (STANDARD HEIGHT)
- SMALL POLE
- TALL POLE (TRAFFIC SIGNALS)
- MAST ARM (VARIABLE LENGTH)
- TALL POLE (CCTV/TRAFFIC SIGNALS)
- POLE NUMBER
- PUSH BUTTON UNIT
- PAN / TILT / ZOOM CCTV CAMERA

GENERAL:

- SITE BOUNDARY LINE
- TEMPORARY LAND ACQUISITION

INDICATIVE METHOD OF CONTROL



Disclaimer

a. © National Transport Authority (NTA) 2022. This drawing is confidential and the copyright in it is owned by NTA. This drawing must not be either loaned, copied or otherwise reproduced in whole or in part or used for any purpose without the prior permission of NTA.

b. This drawing is to be used for the design element identified in the titleblock. Other information shown is to be considered indicative only. The drawing is to be read in conjunction with all other relevant design drawings.

c. O.S. data used for plans are printed under © Ordnance Survey Ireland Government of Ireland. All rights reserved. Licence Number 2022/OSI_NMA_180 National Transport Authority. All elevations are in metres and relate to OSG (Geoid Model) (OSGM15) Mean Head. All Co-ordinates are in Irish Transverse Mercator Grid (ITM) as defined by OSI active local GPS station.

d. Information concerning the position of apparatus shown on this drawing is based on drawings supplied by the utility owners and/or the utility works contractor, whilst every care has been taken in the preparation of this drawing, positions should be taken as appropriate and are intended for general guidance only and no representation is made by the NTA as to the accuracy, completeness, sufficiency or otherwise of this drawing and the position of the apparatus. The information contained herein does not purport to be comprehensive or final as the apparatus is subject to being altered and/or superseded. Recipients should not rely on this information. Any liabilities are hereby expressly disclaimed.

e. The information contained herein has been provided by the NTA but does not purport to be comprehensive or final. Recipients should not rely on the information. Neither the NTA nor any of its directors, officers, employees, agents, stakeholders or advisers make any representation or warranty as to, or accept any liability or responsibility in relation to, the adequacy, accuracy, reasonableness or completeness of the information provided as part of this document or any matter on which the information is based (including but not limited to loss or damage arising as a result of reliance by recipients on the information or any part of it). Any liabilities are hereby expressly disclaimed.



Rev	Date	Dm	Chk'd	App'd	Description
M01	08/05/2023	RB	RH	RS	ISSUE FOR PHASE 4: PLANNING

Client: **NTA**
 Údarás Náisiúnta Iompair
 National Transport Authority

Engineering Designer: **Jacobs**

Date: 08/05/2023
 Scale: 1:250 @ A1, 1:500 @ A3
 Project Code: BCIDB
 Originator Code: JAC

Drawn: RB
 Checked: RH
 Approved: RS

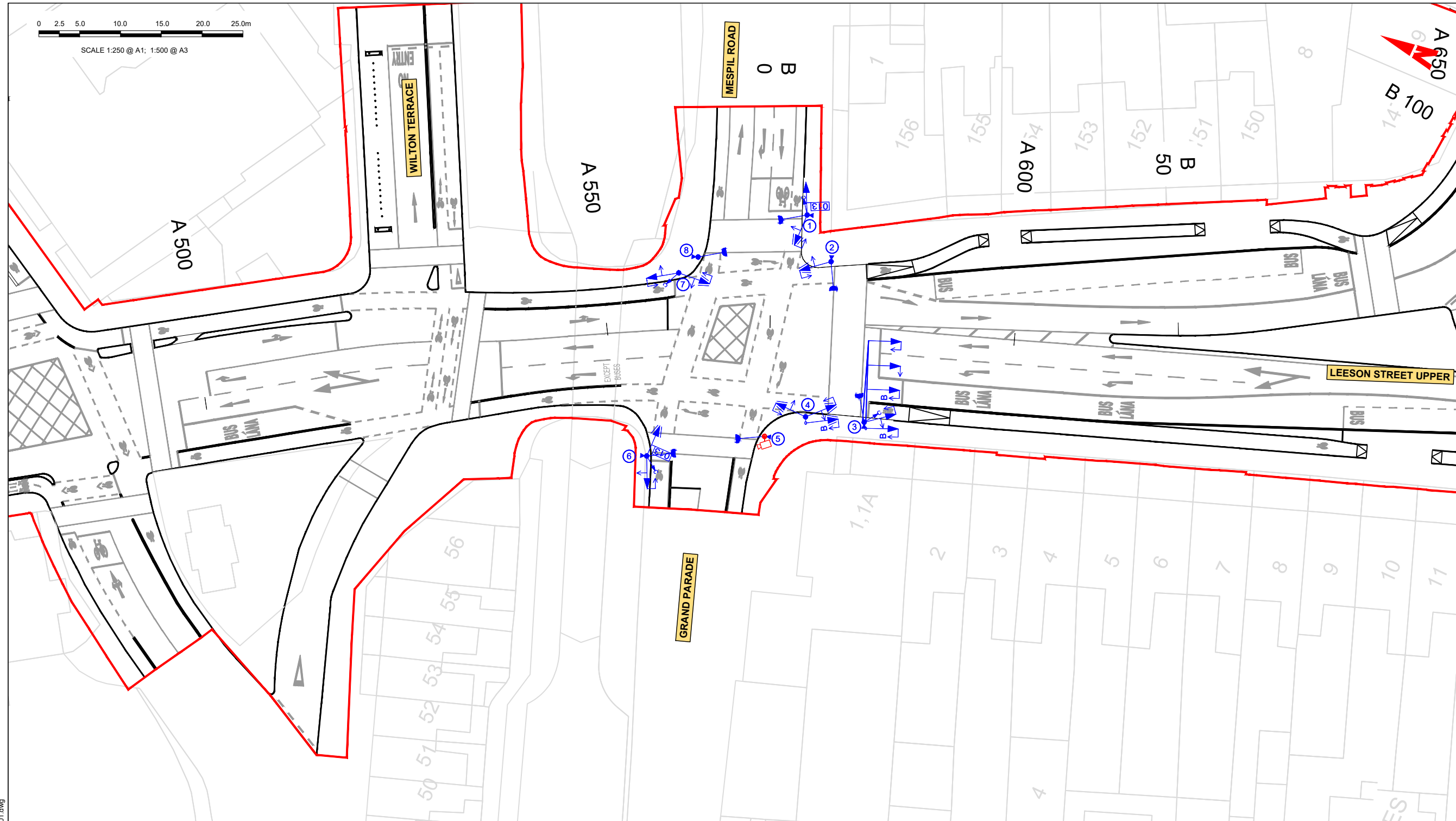
Programme Title: **BUSCONNECTS DUBLIN**
CORE BUS CORRIDORS INFRASTRUCTURE WORKS

Drawing Title: **BRAY TO CITY CENTRE CORE BUS CORRIDOR SCHEME**
JUNCTION SYSTEMS DESIGN
LEESON ST LOWER / FITZWILLIAM PLACE

Drawing File Name	Sheet Number	Status	Rev
BCIDB-JAC-TSM_SJ-0013_XX_00-DR-TR-0010	10 of 60	A	M01

DO NOT SCALE USE FIGURED DIMENSIONS ONLY

C:\pwworking\jacobs_uk_highways_asd\jgintl_bayard2\0148470\BCIDB-JAC-TSM_SJ-0013_XX_00-DR-TR-0001.dwg



LEGEND:

TRAFFIC SIGNAL HEADS:

- RTS 001 (RUS 013) PRIMARY
- RTS 001 (RUS 013) SECONDARY
- RTS 002 PRIMARY
- RTS 002 SECONDARY
- RTS 002 PRIMARY
- RTS 002 PRIMARY
- RTS 003 PRIMARY
- RTS 003 SECONDARY
- RTS 007 (LOW LEVEL) PRIMARY
- RPC 004 PEDESTRIAN HEAD

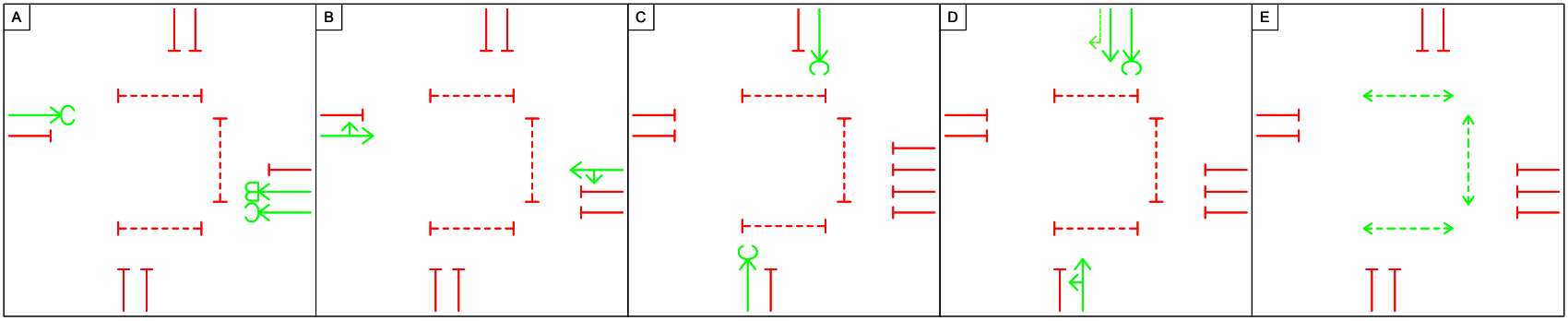
TRAFFIC SIGNAL EQUIPMENT:

- POLE (STANDARD HEIGHT)
- SMALL POLE
- TALL POLE (TRAFFIC SIGNALS)
- MAST ARM (VARIABLE LENGTH)
- TALL POLE (CCTV/TRAFFIC SIGNALS)
- POLE NUMBER
- PUSH BUTTON UNIT
- PAN / TILT / ZOOM CCTV CAMERA

GENERAL:

- SITE BOUNDARY LINE
- TEMPORARY LAND ACQUISITION

INDICATIVE METHOD OF CONTROL



C:\pwworking\jacobs_uk_highways_ssd\legintl_bov\2d\148470\BCIDB-JAC-TSM_SJ-0013_XX_00-DR-TR-0001.dwg

Disclaimer

a. © National Transport Authority (NTA) 2022. This drawing is confidential and the copyright in it is owned by NTA. This drawing must not be either loaned, copied or otherwise reproduced in whole or in part or used for any purpose without the prior permission of NTA.

b. This drawing is to be used for the design element identified in the titleblock. Other information shown is to be considered indicative only. The drawing is to be read in conjunction with all other relevant design drawings.

c. O.S. data used for plans are printed under © Ordnance Survey Ireland Government of Ireland. All rights reserved. Licence Number 2022/OSI_NMA_180 National Transport Authority. All elevations are in metres and relate to OSI Geoid Model (OSGM15) Mean Head. All Co-ordinates are in Irish Transverse Mercator Grid (ITM) as defined by OSI active local GPS station.

d. Information concerning the position of apparatus shown on this drawing is based on drawings supplied by the utility owners and/or the utility works contractor, whilst every care has been taken in the preparation of this drawing, positions should be taken as appropriate and are intended for general guidance only and no representation is made by the NTA as to the accuracy, completeness, sufficiency or otherwise of this drawing and the position of the apparatus. The information contained herein does not purport to be comprehensive or final as the apparatus is subject to being altered and/or superseded. Recipients should not rely on this information. Any liabilities are hereby expressly disclaimed.

e. The information contained herein has been provided by the NTA but does not purport to be comprehensive or final. Recipients should not rely on the information. Neither the NTA nor any of its directors, officers, employees, agents, stakeholders or advisers make any representation or warranty as to, or accept any liability or responsibility in relation to, the adequacy, accuracy, reasonableness or completeness of the information provided as part of this document or any matter on which the information is based (including but not limited to loss or damage arising as a result of reliance by recipients on the information or any part of it). Any liabilities are hereby expressly disclaimed.



Rev	Date	Dm	Chk'd	App'd	Description
M01	08/05/2023	RB	RH	RS	ISSUE FOR PHASE 4: PLANNING

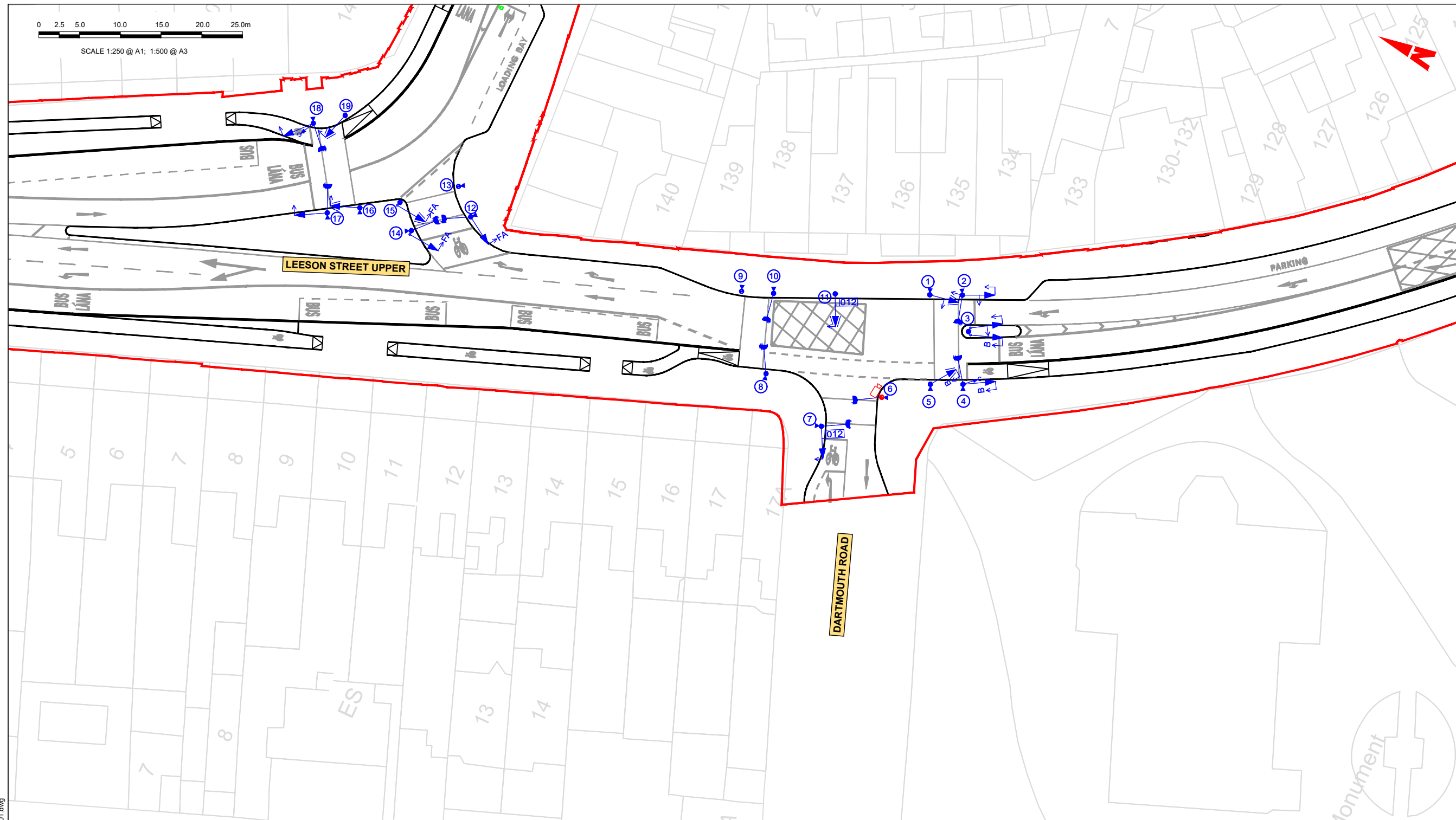
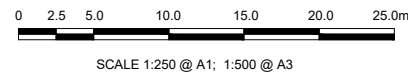
Client: **NTA** Údarás Náisiúnta Iompair National Transport Authority

Engineering Designer: **Jacobs**

Date	Scale	Drawn	Checked	Approved
08/05/2023	1:250 @ A1 1:500 @ A3	RB	RH	RS
Project Code	Originator Code	QMS Code		
BCIDB	JAC			

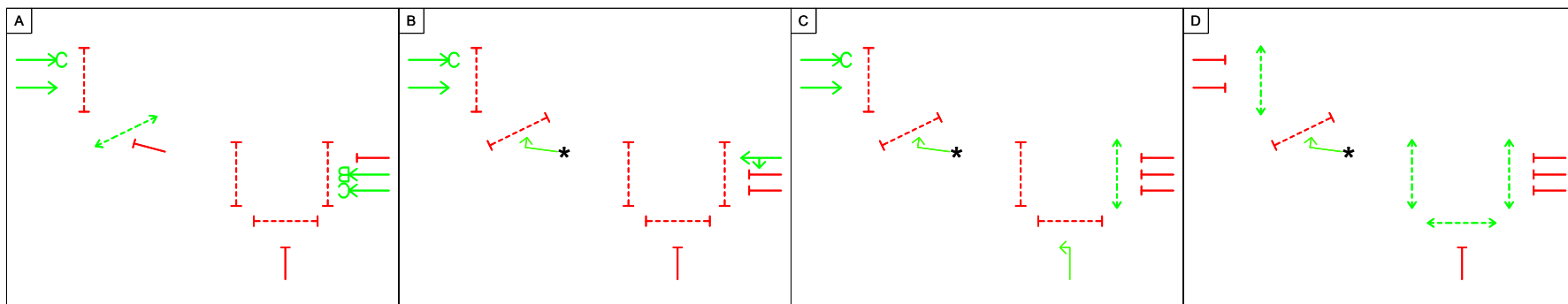
Programme Title: BUSCONNECTS DUBLIN CORE BUS CORRIDORS INFRASTRUCTURE WORKS				
Drawing Title: BRAY TO CITY CENTRE CORE BUS CORRIDOR SCHEME JUNCTION SYSTEMS DESIGN LESSON ST UPPER / GRAND PARADE				
Drawing File Name	Sheet Number	Status	Rev	
BCIDB-JAC-TSM_SJ-0013_XX_00-DR-TR-0011	11 of 60	A	M01	

DO NOT SCALE USE FIGURED DIMENSIONS ONLY



- LEGEND:**
- TRAFFIC SIGNAL HEADS:**
- RTS 002 PRIMARY
 - RTS 002 SECONDARY
 - RTS 002 PRIMARY
 - RTS 002 SECONDARY
 - RTS 002 (RUS 012) PRIMARY
 - RTS 002 (RUS 012) SECONDARY
 - RTS 003 PRIMARY
 - RTS 003 SECONDARY
 - RTS 004 PRIMARY
 - RTS 004 SECONDARY
 - RTS 007 (LOW LEVEL) PRIMARY
 - RPC 004 PEDESTRIAN HEAD
- TRAFFIC SIGNAL EQUIPMENT:**
- POLE (STANDARD HEIGHT)
 - SMALL POLE
 - TALL POLE (TRAFFIC SIGNALS)
 - MAST ARM (VARIABLE LENGTH)
 - TALL POLE (CCTV/TRAFFIC SIGNALS)
 - POLE NUMBER
 - PUSH BUTTON UNIT
 - PAN / TILT / ZOOM CCTV CAMERA
- GENERAL:**
- SITE BOUNDARY LINE
 - TEMPORARY LAND ACQUISITION

INDICATIVE METHOD OF CONTROL



* DENOTES FLASHING AMBER

Disclaimer

a. © National Transport Authority (NTA) 2022. This drawing is confidential and the copyright in it is owned by NTA. This drawing must not be either loaned, copied or otherwise reproduced in whole or in part for use for any purpose without the prior permission of NTA.

b. This drawing is to be used for the design element identified in the titleblock. Other information shown is to be considered indicative only. The drawing is to be read in conjunction with all other relevant design drawings.

c. O.S. data used for plans are printed under © Ordnance Survey Ireland Government of Ireland. All rights reserved. Licence Number 2022/OSI/NMA_180 National Transport Authority. All elevations are in metres and relate to OSi Geoid Model (OSGM15) Mean Head. All Co-ordinates are in Irish Transverse Mercator Grid (ITM) as defined by OSi active local GPS station.

d. Information concerning the position of apparatus shown on this drawing is based on drawings supplied by the utility owners and/or the utility works contractor, whilst every care has been taken in the preparation of this drawing, positions should be taken as appropriate and are intended for general guidance only and no representation is made by the NTA as to the accuracy, completeness, sufficiency or otherwise of this drawing and the position of the apparatus. The information contained herein does not purport to be comprehensive or final as the apparatus is subject to being altered and/or superseded. Recipients should not rely on this information. Any liabilities are hereby expressly disclaimed.

e. The information contained herein has been provided by the NTA but does not purport to be comprehensive or final. Recipients should not rely on the information. Neither the NTA nor any of its directors, officers, employees, agents, stakeholders or advisers make any representation or warranty as to, or accept any liability or responsibility in relation to, the adequacy, accuracy, reasonableness or completeness of the information provided as part of this document or any matter on which the information is based (including but not limited to loss or damage arising as a result of reliance by recipients on the information or any part of it). Any liabilities are hereby expressly disclaimed.



Rev	Date	Dm	Chk'd	App'd	Description
M01	08/05/2023	RB	RH	RS	ISSUE FOR PHASE 4: PLANNING

Client NTA Údarás Náisiúnta Iompair National Transport Authority		Engineering Designer Jacobs		
Date 08/05/2023	Scale 1:250 @ A1 1:500 @ A3	Drawn RB	Checked RH	Approved RS
Project Code BCIDB	Originator Code JAC	QMS Code		

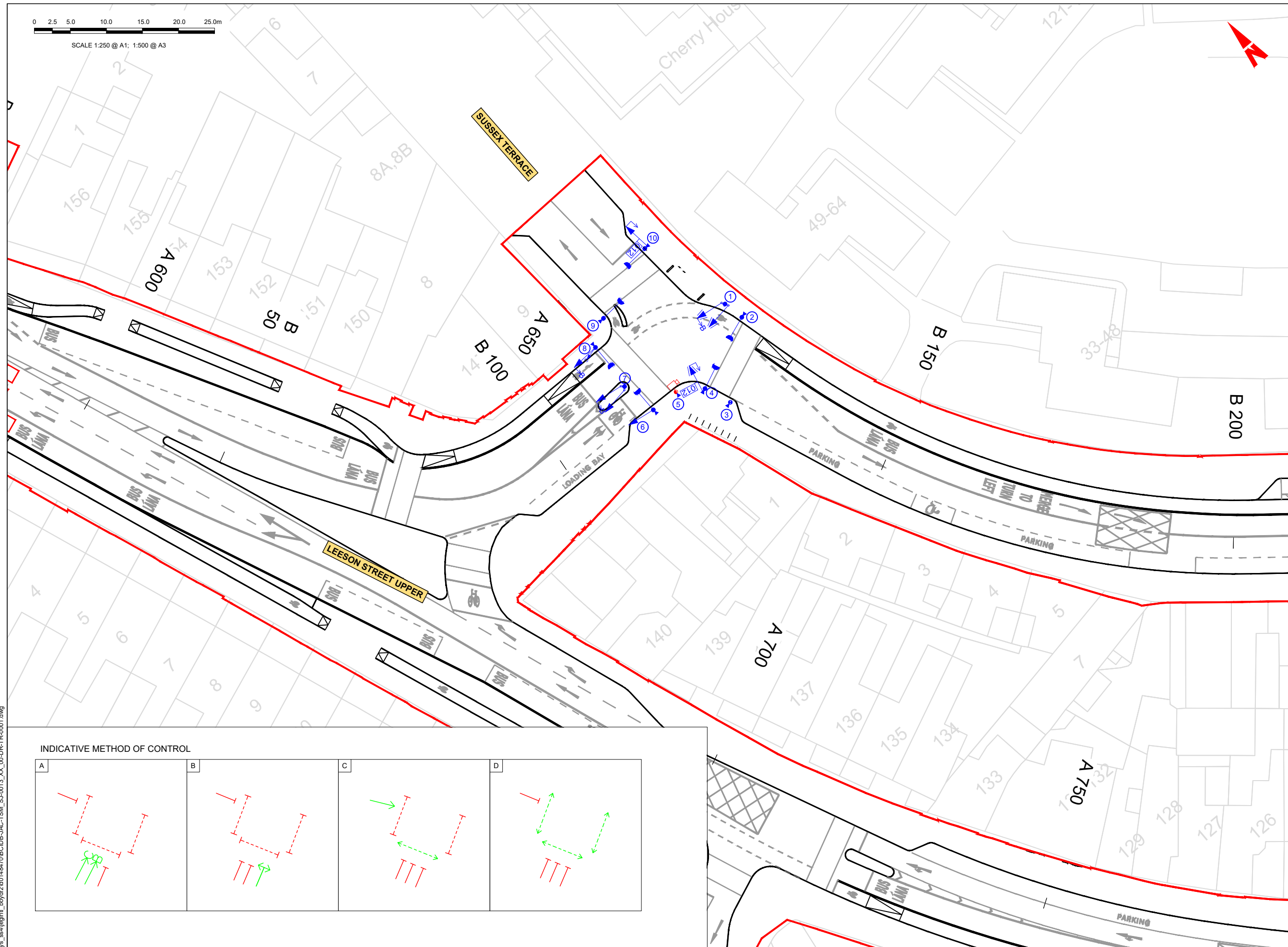
Programme Title BUSCONNECTS DUBLIN CORE BUS CORRIDORS INFRASTRUCTURE WORKS				
Drawing Title BRAY TO CITY CENTRE CORE BUS CORRIDOR SCHEME JUNCTION SYSTEMS DESIGN LEESON STREET UPPER / DARTMOUTH ROAD				
Drawing File Name BCIDB-JAC-TSM_SJ-0013_XX_00-DR-TR-0012	Sheet Number 12 of 60	Status A	Rev M01	

DO NOT SCALE USE FIGURED DIMENSIONS ONLY

C:\pwworking\jacobs_uk_highways_asd\legintl_bayard\2d\148470\BCIDB-JAC-TSM_SJ-0013_XX_00-DR-TR-0001.dwg

0 2.5 5.0 10.0 15.0 20.0 25.0m

SCALE 1:250 @ A1; 1:500 @ A3



LEGEND:

TRAFFIC SIGNAL HEADS:

- RTS 001 PRIMARY
- RTS 001 SECONDARY
- RTS 002 PRIMARY
- RTS 002 SECONDARY
- RTS 002 (RUS 012) PRIMARY
- RTS 002 (RUS 012) SECONDARY
- RTS 007 (LOW LEVEL) PRIMARY
- RPC 004 PEDESTRIAN HEAD

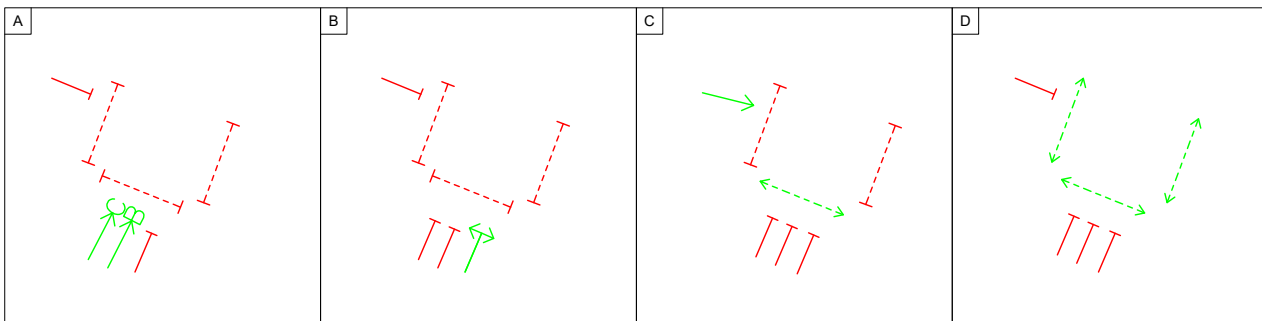
TRAFFIC SIGNAL EQUIPMENT:

- POLE (STANDARD HEIGHT)
- SMALL POLE
- TALL POLE (TRAFFIC SIGNALS)
- TALL POLE (CCTV/TRAFFIC SIGNALS)
- POLE NUMBER
- PUSH BUTTON UNIT
- PAN / TILT / ZOOM CCTV CAMERA

GENERAL:

- SITE BOUNDARY LINE
- TEMPORARY LAND ACQUISITION

INDICATIVE METHOD OF CONTROL



Disclaimer

a. © National Transport Authority (NTA) 2022. This drawing is confidential and the copyright in it is owned by NTA. This drawing must not be either loaned, copied or otherwise reproduced in whole or in part or used for any purpose without the prior permission of NTA.

b. This drawing is to be used for the design element identified in the titleblock. Other information shown is to be considered indicative only. The drawing is to be read in conjunction with all other relevant design drawings.

c. O.S. data used for plans are printed under © Ordnance Survey Ireland Government of Ireland. All rights reserved. Licence Number 2022/OSI_NMA_160 National Transport Authority. All elevations are in metres and relate to OSG (Geoid Model) (OSGM15) Mean Head. All Co-ordinates are in Irish Transverse Mercator Grid (ITM) as defined by OSI active local GPS station.

d. Information concerning the position of apparatus shown on this drawing is based on drawings supplied by the utility owners and/or the utility works contractor, whilst every care has been taken in the preparation of this drawing, positions should be taken as appropriate and are intended for general guidance only and no representation is made by the NTA as to the accuracy, completeness, sufficiency or otherwise of this information and the position of the apparatus. The information contained herein does not purport to be comprehensive or final as the apparatus is subject to being altered and/or superseded. Recipients should not rely on this information. Any liabilities are hereby expressly disclaimed.

e. The information contained herein has been provided by the NTA but does not purport to be comprehensive or final. Recipients should not rely on the information. Neither the NTA nor any of its directors, officers, employees, agents, stakeholders or advisers make any representation or warranty as to, or accept any liability or responsibility in relation to, the adequacy, accuracy, reasonableness or completeness of the information provided as part of this document or any matter on which the information is based (including but not limited to loss or damage arising as a result of reliance by recipients on the information or any part of it). Any liabilities are hereby expressly disclaimed.



Rev	Date	Dm	Chk'd	App'd	Description
M01	08/05/2023	RB	RH	RS	ISSUE FOR PHASE 4: PLANNING

Client: **NTA**
Údarás Náisiúnta Iompair
National Transport Authority

Engineering Designer: **Jacobs**

Date: 08/05/2023
Scale: 1:250 @ A1
1:500 @ A3

Drawn: RB
Checked: RH
Approved: RS

Project Code: BCIDB
Originator Code: JAC
QMS Code:

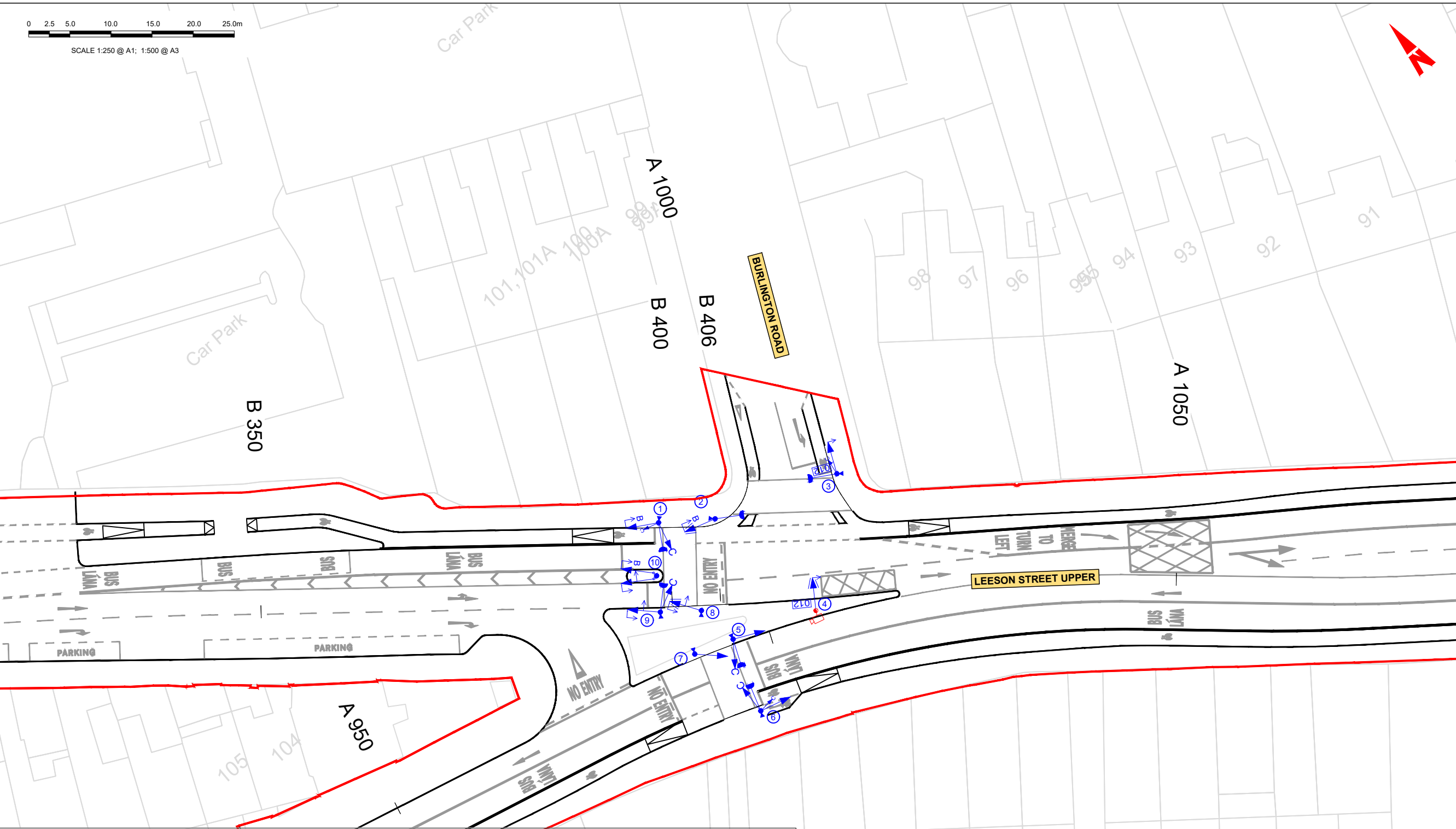
Programme Title			
BUSCONNECTS DUBLIN			
CORE BUS CORRIDORS INFRASTRUCTURE WORKS			
Drawing Title			
BRAY TO CITY CENTRE CORE BUS CORRIDOR SCHEME JUNCTION SYSTEMS DESIGN SUSSEX ROAD / SUSSEX TERRACE			
Drawing File Name		Sheet Number	Status
BCIDB-JAC-TSM_SJ-0013_XX_00-DR-TR-0013		13 of 60	A
Rev	M01		

DO NOT SCALE USE FIGURED DIMENSIONS ONLY

C:\pwworking\jacobs_uk_highways_asd\legintl_bayard\2d\148470\BCIDB-JAC-TSM_SJ-0013_XX_00-DR-TR-0001.dwg

0 2.5 5.0 10.0 15.0 20.0 25.0m

SCALE 1:250 @ A1; 1:500 @ A3



LEGEND:

TRAFFIC SIGNAL HEADS:

- RTS 001 PRIMARY
- RTS 002 PRIMARY
- RTS 002 SECONDARY
- RTS 002 (RUS 012) PRIMARY
- RTS 002 (RUS 012) SECONDARY
- RTS 003 PRIMARY
- RTS 003 SECONDARY
- RTS 007 (LOW LEVEL) PRIMARY
- RTS 007 CYCLE HEAD
- RPC 004 PEDESTRIAN HEAD

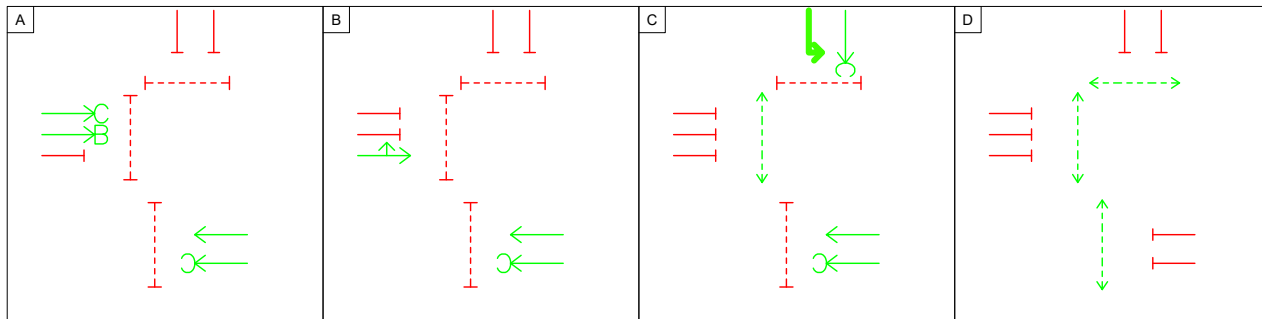
TRAFFIC SIGNAL EQUIPMENT:

- POLE (STANDARD HEIGHT)
- SMALL POLE
- TALL POLE (TRAFFIC SIGNALS)
- TALL POLE (CCTV/TRAFFIC SIGNALS)
- POLE NUMBER
- PUSH BUTTON UNIT
- PAN / TILT / ZOOM CCTV CAMERA

GENERAL:

- SITE BOUNDARY LINE
- TEMPORARY LAND ACQUISITION

INDICATIVE METHOD OF CONTROL



Disclaimer

a. © National Transport Authority (NTA) 2022. This drawing is confidential and the copyright in it is owned by NTA. This drawing must not be either loaned, copied or otherwise reproduced in whole or in part for any purpose without the prior permission of NTA.

b. This drawing is to be used for the design element identified in the titleblock. Other information shown is to be considered indicative only. The drawing is to be read in conjunction with all other relevant design drawings.

c. O.S. data used for plans are printed under © Ordnance Survey Ireland Government of Ireland. All rights reserved. Licence Number 2022/OSI_NMA_160 National Transport Authority. All elevations are in metres and relate to OSi Geoid Model (OSGM15) Mean Head. All Co-ordinates are in Irish Transverse Mercator Grid (ITM) as defined by OSi active local GPS station.

d. Information concerning the position of apparatus shown on this drawing is based on drawings supplied by the utility owners and/or the utility works contractor, whilst every care has been taken in the preparation of this drawing, positions should be taken as approximate and are intended for general guidance only and no representation is made by the NTA as to the accuracy, completeness, sufficiency or otherwise of this information. The information contained herein does not purport to be comprehensive or final as the apparatus is subject to being altered and/or superseded. Recipients should not rely on this information. Any liabilities are hereby expressly disclaimed.

e. The information contained herein has been provided by the NTA but does not purport to be comprehensive or final. Recipients should not rely on the information. Neither the NTA nor any of its directors, officers, employees, agents, stakeholders or advisers make any representation or warranty as to, or accept any liability or responsibility in relation to, the adequacy, accuracy, reasonableness or completeness of the information provided as part of this document or any matter on which the information is based (including but not limited to loss or damage arising as a result of reliance by recipients on the information or any part of it). Any liabilities are hereby expressly disclaimed.



Rev	Date	Dm	Chk'd	App'd	Description
M01	08/05/2023	RB	RH	RS	ISSUE FOR PHASE 4: PLANNING

Client: **NTA** (Údarás Náisiúnta Iompair National Transport Authority)

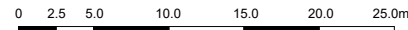
Engineering Designer: **Jacobs**

Date	Scale	Drawn	Checked	Approved
08/05/2023	1:250 @ A1 1:500 @ A3	RB	RH	RS
Project Code	Originator Code	QMS Code		
BCIDB	JAC			

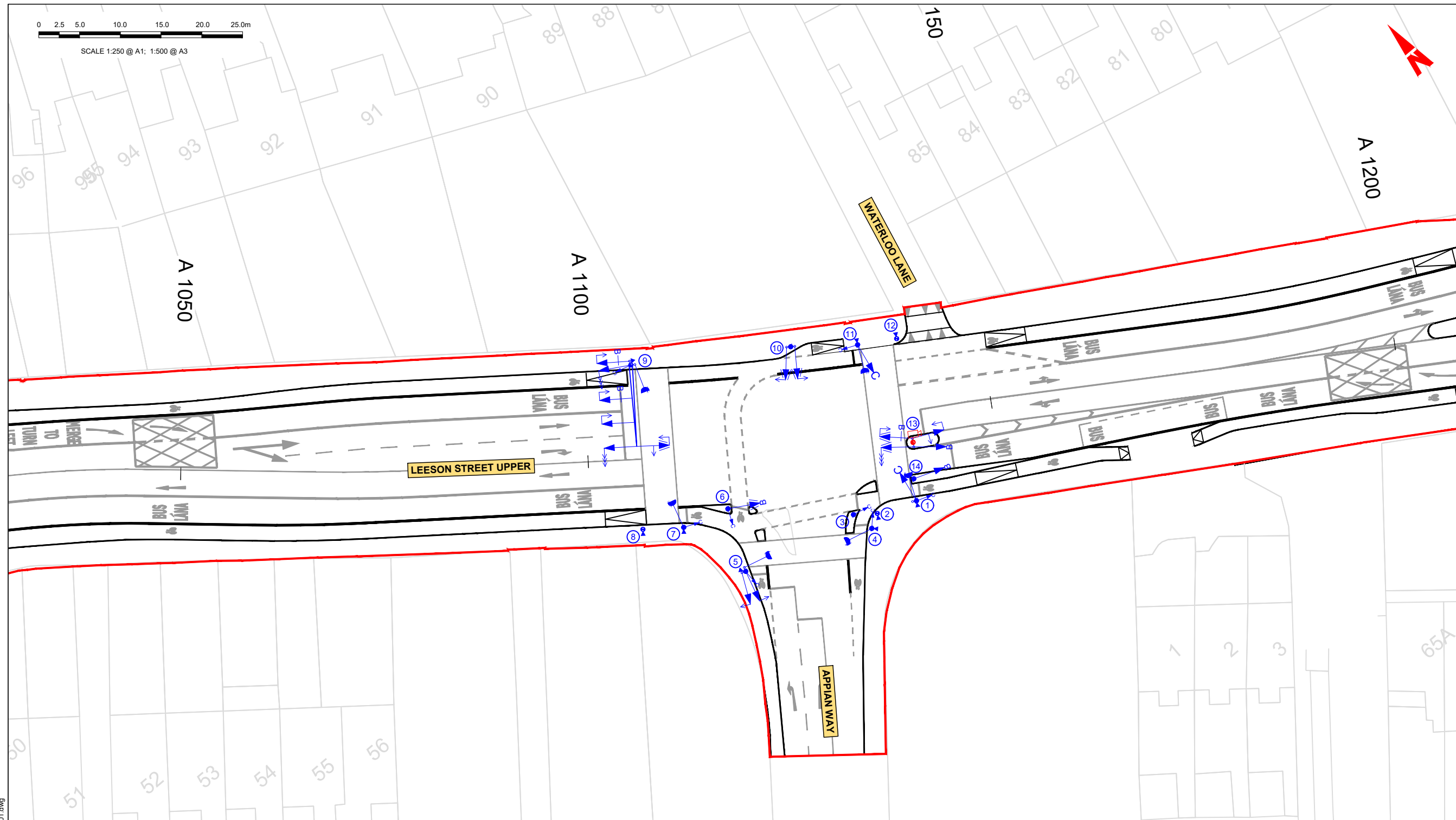
Programme Title			
BUSCONNECTS DUBLIN			
CORE BUS CORRIDORS INFRASTRUCTURE WORKS			
Drawing Title			
BRAY TO CITY CENTRE CORE BUS CORRIDOR SCHEME			
JUNCTION SYSTEMS DESIGN			
LEESON STREET UPPER / BURLINGTON ROAD			
Drawing File Name	Sheet Number	Status	Rev
BCIDB-JAC-TSM_SJ-0013_XX_00-DR-TR-0014	14 of 60	A	M01

DO NOT SCALE USE FIGURED DIMENSIONS ONLY

C:\pwworking\jacobs_uk_highways_asd\jgintl_bayard2\0148470\BCIDB-JAC-TSM_SJ-0013_XX_00-DR-TR-0001.dwg



SCALE 1:250 @ A1; 1:500 @ A3



LEGEND:

TRAFFIC SIGNAL HEADS:

- RTS 002 PRIMARY
- RTS 002 PRIMARY
- RTS 002 SECONDARY
- RTS 002 PRIMARY
- RTS 002 SECONDARY
- RTS 002 PRIMARY
- RTS 002 SECONDARY
- RTS 002 PRIMARY
- RTS 002 SECONDARY
- RTS 002 PRIMARY
- RTS 002 SECONDARY
- RTS 003 PRIMARY
- RTS 003 SECONDARY
- RTS 003 PRIMARY
- RTS 003 SECONDARY
- RTS 007 (LOW LEVEL) PRIMARY
- RTS 007 CYCLE HEAD
- RPC 004 PEDESTRIAN HEAD

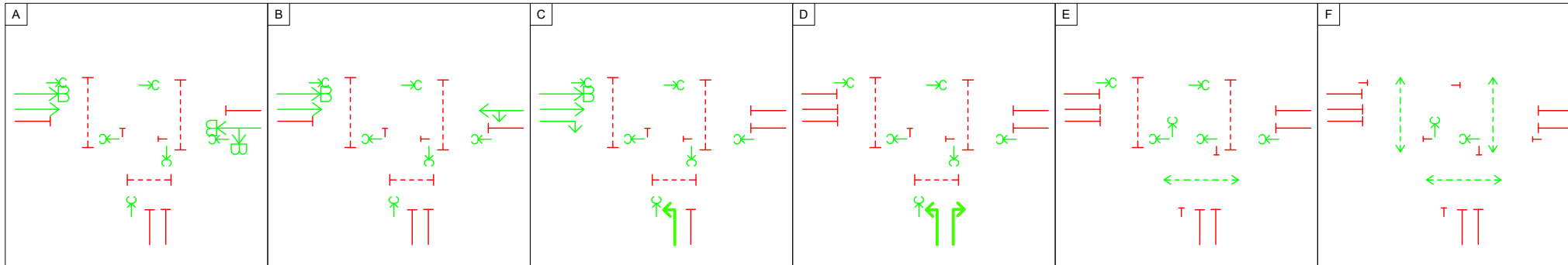
TRAFFIC SIGNAL EQUIPMENT:

- POLE (STANDARD HEIGHT)
- SMALL POLE
- TALL POLE (TRAFFIC SIGNALS)
- TALL POLE (CCTV/TRAFFIC SIGNALS)
- POLE NUMBER
- PUSH BUTTON UNIT
- CCTV CAMERA

GENERAL:

- SITE BOUNDARY LINE
- TEMPORARY LAND ACQUISITION

INDICATIVE METHOD OF CONTROL



Disclaimer

a. © National Transport Authority (NTA) 2022. This drawing is confidential and the copyright in it is owned by NTA. This drawing must not be either loaned, copied or otherwise reproduced in whole or in part or used for any purpose without the prior permission of NTA.

b. This drawing is to be used for the design element identified in the titleblock. Other information shown is to be considered indicative only. The drawing is to be read in conjunction with all other relevant design drawings.

c. O.S. data used for plans are printed under © Ordnance Survey Ireland Government of Ireland. All rights reserved. Licence Number 2022/OSI_NMA_180 National Transport Authority. All elevations are in metres and relate to OSi Geoid Model (OSGM15) Mean Head. All Co-ordinates are in Irish Transverse Mercator Grid (ITM) as defined by OSi active local GPS station.

d. Information concerning the position of apparatus shown on this drawing is based on drawings supplied by the utility owners and/or the utility works contractor, whilst every care has been taken in the preparation of this drawing, positions should be taken as appropriate and are intended for general guidance only and no representation is made by the NTA as to the accuracy, completeness, sufficiency or otherwise of this drawing and the position of the apparatus. The information contained herein does not purport to be comprehensive or final as the apparatus is subject to being altered and/or superseded. Recipients should not rely on this information. Any liabilities are hereby expressly disclaimed.

e. The information contained herein has been provided by the NTA but does not purport to be comprehensive or final. Recipients should not rely on the information. Neither the NTA nor any of its directors, officers, employees, agents, stakeholders or advisers make any representation or warranty as to, or accept any liability or responsibility in relation to, the adequacy, accuracy, reasonableness or completeness of the information provided as part of this document or any matter on which the information is based (including but not limited to loss or damage arising as a result of reliance by recipients on the information or any part of it). Any liabilities are hereby expressly disclaimed.



Rev	Date	Dm	Chk'd	App'd	Description
M01	08/05/2023	RB	RH	RS	ISSUE FOR PHASE 4: PLANNING

Client: **NTA**
 Údarás Náisiúnta Iompair
 National Transport Authority

Engineering Designer: **Jacobs**

Date	Scale	Drawn	Checked	Approved
08/05/2023	1:250 @ A1 1:500 @ A3	RB	RH	RS
Project Code	Originator Code	QMS Code		
BCIDB	JAC			

Programme Title			
BUSCONNECTS DUBLIN			
CORE BUS CORRIDORS INFRASTRUCTURE WORKS			
Drawing Title			
BRAY TO CITY CENTRE CORE BUS CORRIDOR SCHEME			
JUNCTION SYSTEMS DESIGN			
LEESON STREET UPPER / APPLAN WAY			
Drawing File Name	Sheet Number	Status	Rev
BCIDB-JAC-TSM_SJ-0013_XX_00-DR-TR-0015	15 of 60	A	M01

DO NOT SCALE USE FIGURED DIMENSIONS ONLY

C:\pwworking\jacobs_uk_highways_ssd\legintl_bayrd2d\0148470\BCIDB-JAC-TSM_SJ-0013_XX_00-DR-TR-0001.dwg

0 2.5 5.0 10.0 15.0 20.0 25.0m

SCALE 1:250 @ A1; 1:500 @ A3

A 1150

A 1200

A 1250

A 1300

WATERLOO ROAD

LEGEND:

TRAFFIC SIGNAL HEADS:

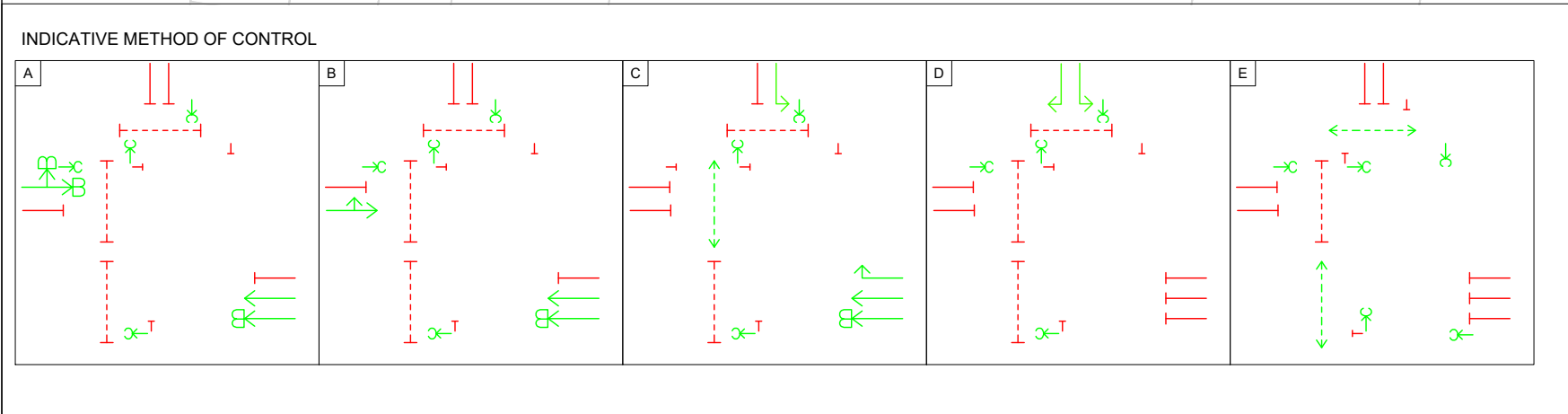
- RTS 002 PRIMARY
- RTS 002 SECONDARY
- RTS 002 PRIMARY
- RTS 002 SECONDARY
- RTS 002 PRIMARY
- RTS 002 SECONDARY
- RTS 002 PRIMARY
- RTS 002 SECONDARY
- RTS 003 PRIMARY
- RTS 003 SECONDARY
- RTS 007 (LOW LEVEL) PRIMARY
- RPC 004 PEDESTRIAN HEAD

TRAFFIC SIGNAL EQUIPMENT:

- POLE (STANDARD HEIGHT)
- SMALL POLE
- TALL POLE (TRAFFIC SIGNALS)
- TALL POLE (CCTV/TRAFFIC SIGNALS)
- MAST ARM (VARIABLE LENGTH)
- POLE NUMBER
- PUSH BUTTON UNIT
- PAN / TILT / ZOOM CCTV CAMERA

GENERAL:

- SITE BOUNDARY LINE
- TEMPORARY LAND ACQUISITION



Disclaimer

a. © National Transport Authority (NTA) 2022. This drawing is confidential and the copyright in it is owned by NTA. This drawing must not be either loaned, copied or otherwise reproduced in whole or in part or used for any purpose without the prior permission of NTA.

b. This drawing is to be used for the design element identified in the title block. Other information shown is to be considered indicative only. The drawing is to be read in conjunction with all other relevant design drawings.

c. O.S. data used for plans are printed under Ordnance Survey Ireland Government of Ireland. All rights reserved. Licence Number 2022/OSI_NMA_180 National Transport Authority. All elevations are in metres and relate to OSI Geoid Model (OSGM15) Mean Head. All Co-ordinates are in Irish Transverse Mercator Grid (ITM) as defined by OSI active local GPS station.

d. Information concerning the position of apparatus shown on this drawing is based on drawings supplied by the utility owners and/or the utility works contractor, whilst every care has been taken in the preparation of this drawing, positions should be taken as approximate and are intended for general guidance only and no representation is made by the NTA as to the accuracy, completeness, sufficiency or otherwise of this drawing and the position of the apparatus. The information contained herein does not purport to be comprehensive or final as the apparatus is subject to being altered and/or superseded. Recipients should not rely on this information. Any liabilities are hereby expressly disclaimed.

e. The information contained herein has been provided by the NTA but does not purport to be comprehensive or final. Recipients should not rely on the information. Neither the NTA nor any of its directors, officers, employees, agents, stakeholders or advisers make any representation or warranty as to, or accept any liability or responsibility in relation to, the adequacy, accuracy, reasonableness or completeness of the information provided as part of this document or any matter on which the information is based (including but not limited to loss or damage arising as a result of reliance by recipients on the information or any part of it). Any liabilities are hereby expressly disclaimed.

Rev	Date	Dm	Chk'd	App'd	Description
M01	08/05/2023	RB	RH	RS	ISSUE FOR PHASE 4: PLANNING

Client: **NTA** (Údarás Náisiúnta Iompair National Transport Authority)

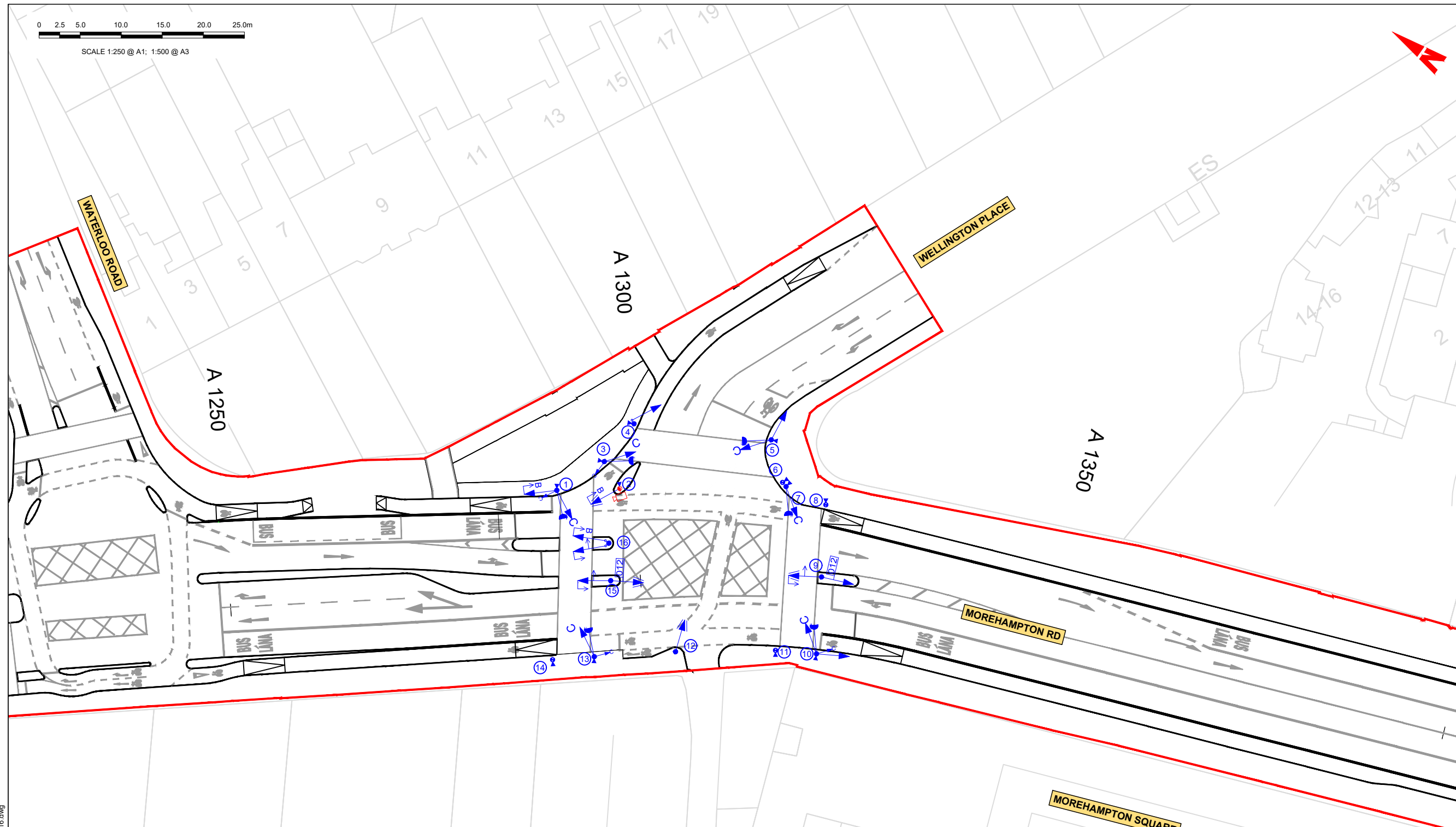
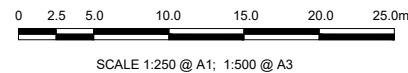
Engineering Designer: **Jacobs**

Date	Scale	Drawn	Checked	Approved
08/05/2023	1:250 @ A1 1:500 @ A3	RB	RH	RS
Project Code	Originator Code	QMS Code		
BCIDB	JAC			

Programme Title: BUSCONNECTS DUBLIN				
Drawing Title: CORE BUS CORRIDORS INFRASTRUCTURE WORKS				
Drawing File Name: BCIDB-JAC-TSM_SJ-0013_XX_00-DR-TR-0016				
Sheet Number	Status	Rev		
16 of 60	A	M01		

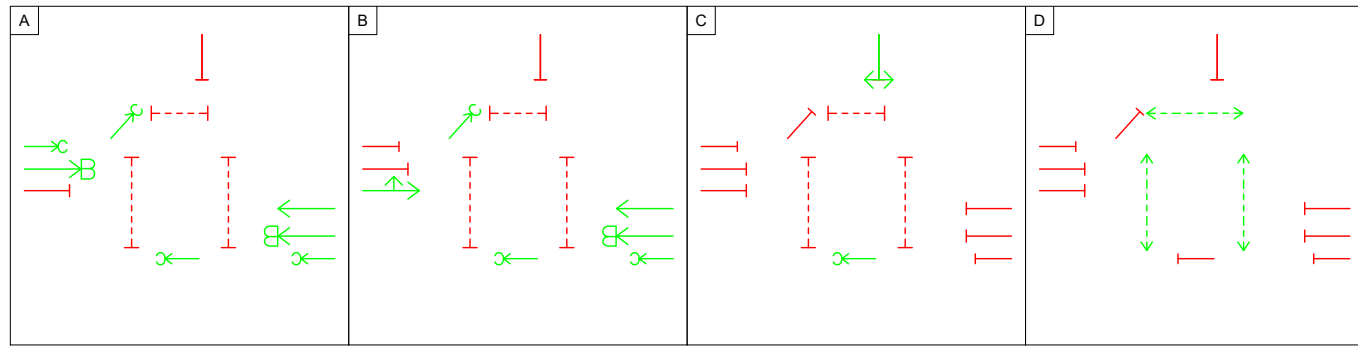
DO NOT SCALE USE FIGURED DIMENSIONS ONLY

C:\pwworking\jacobs_uk_highways_asd\legintl_bovard\2d\148470\BCIDB-JAC-TSM_SJ-0013_XX_00-DR-TR-0016.dwg



- LEGEND:**
- TRAFFIC SIGNAL HEADS:**
- RTS 001 PRIMARY
 - RTS 001 SECONDARY
 - RTS 001 (RUS 012) PRIMARY
 - RTS 001 (RUS 012) SECONDARY
 - RTS 002 PRIMARY
 - RTS 002 SECONDARY
 - RTS 003 PRIMARY
 - RTS 003 SECONDARY
 - RTS 007 (LOW LEVEL) PRIMARY
 - RTS 007 CYCLE HEAD
 - RPC 004 PEDESTRIAN HEAD
- TRAFFIC SIGNAL EQUIPMENT:**
- POLE (STANDARD HEIGHT)
 - SMALL POLE
 - TALL POLE (TRAFFIC SIGNALS)
 - MAST ARM (VARIABLE LENGTH)
 - TALL POLE (CCTV/TRAFFIC SIGNALS)
 - POLE NUMBER
 - PUSH BUTTON UNIT
 - PAN / TILT / ZOOM CCTV CAMERA
- GENERAL:**
- SITE BOUNDARY LINE
 - TEMPORARY LAND ACQUISITION

INDICATIVE METHOD OF CONTROL



C:\pwworking\jacobs_uk_highways_asd\jgintl_bovd\2d\148470\BCIDB-JAC-TSM_SJ-0013_XX_00-DR-TR-0016.dwg

Disclaimer

a. © National Transport Authority (NTA) 2022. This drawing is confidential and the copyright in it is owned by NTA. This drawing must not be either loaned, copied or otherwise reproduced in whole or in part or used for any purpose without the prior permission of NTA.

b. This drawing is to be used for the design element identified in the titleblock. Other information shown is to be considered indicative only. The drawing is to be read in conjunction with all other relevant design drawings.

c. O.S. data used for plans are printed under © Ordnance Survey Ireland Government of Ireland. All rights reserved. Licence Number 2022/OSI_NMA_180 National Transport Authority. All elevations are in metres and relate to OSi Geoid Model (OSGM15) Mean Head. All Co-ordinates are in Irish Transverse Mercator Grid (ITM) as defined by OSi active local GPS station.

d. Information concerning the position of apparatus shown on this drawing is based on drawings supplied by the utility owners and/or the utility works contractor, whilst every care has been taken in the preparation of this drawing, positions should be taken as approximate and are intended for general guidance only and no representation is made by the NTA as to the accuracy, completeness, sufficiency or otherwise of this information and the position of the apparatus. The information contained herein does not purport to be comprehensive or final as the apparatus is subject to being altered and/or superseded. Recipients should not rely on this information. Any liabilities are hereby expressly disclaimed.

e. The information contained herein has been provided by the NTA but does not purport to be comprehensive or final. Recipients should not rely on the information. Neither the NTA nor any of its directors, officers, employees, agents, stakeholders or advisers make any representation or warranty as to, or accept any liability or responsibility in relation to, the adequacy, accuracy, reasonableness or completeness of the information provided as part of this document or any matter on which the information is based (including but not limited to loss or damage arising as a result of reliance by recipients on the information or any part of it). Any liabilities are hereby expressly disclaimed.



Rev	Date	Dm	Chk'd	App'd	Description
M01	08/05/2023	RB	RH	RS	ISSUE FOR PHASE 4: PLANNING

Client: **NTA**
 Údarás Náisiúnta Iompair
 National Transport Authority

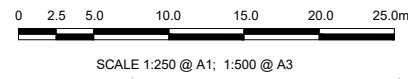
Engineering Designer: **Jacobs**

Date	Scale	Drawn	Checked	Approved
08/05/2023	1:250 @ A1 1:500 @ A3	RB	RH	RS

Project Code: BCIDB Originator Code: JAC QMS Code:

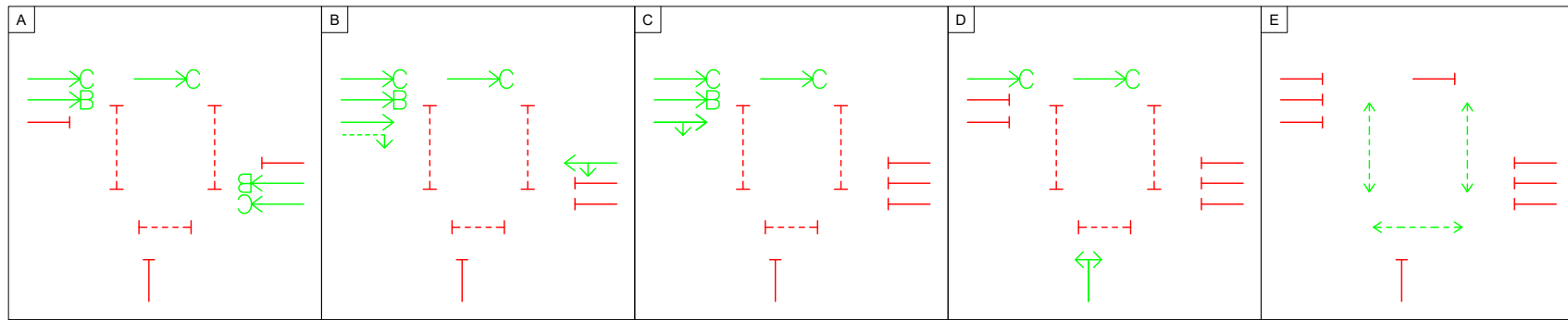
Programme Title BUSCONNECTS DUBLIN CORE BUS CORRIDORS INFRASTRUCTURE WORKS			
Drawing Title BRAY TO CITY CENTRE CORE BUS CORRIDOR SCHEME JUNCTION SYSTEMS DESIGN LEESON STREET UPPER / WELLINGTON PLACE			
Drawing File Name BCIDB-JAC-TSM_SJ-0013_XX_00-DR-TR-0017	Sheet Number 17 of 60	Status A	Rev M01

DO NOT SCALE USE FIGURED DIMENSIONS ONLY



- LEGEND:**
- TRAFFIC SIGNAL HEADS:**
- RTS 001 PRIMARY
 - RTS 001 SECONDARY
 - RTS 002 PRIMARY
 - RTS 002 SECONDARY
 - RTS 003 SECONDARY
 - RTS 003 PRIMARY
 - RTS 003 SECONDARY
 - RTS 007 (LOW LEVEL) PRIMARY
 - RTS 007 CYCLE HEAD
 - RPC 004 PEDESTRIAN HEAD
- TRAFFIC SIGNAL EQUIPMENT:**
- POLE (STANDARD HEIGHT)
 - SMALL POLE
 - TALL POLE (TRAFFIC SIGNALS)
 - MAST ARM (VARIABLE LENGTH)
 - TALL POLE (CCTV/TRAFFIC SIGNALS)
 - POLE NUMBER
 - PUSH BUTTON UNIT
 - MOUNTING BRACKET
 - PAN / TILT / ZOOM CCTV CAMERA
- GENERAL:**
- SITE BOUNDARY LINE
 - TEMPORARY LAND ACQUISITION

INDICATIVE METHOD OF CONTROL



Disclaimer

a. © National Transport Authority (NTA) 2022. This drawing is confidential and the copyright in it is owned by NTA. This drawing must not be either loaned, copied or otherwise reproduced in whole or in part or used for any purpose without the prior permission of NTA.

b. This drawing is to be used for the design element identified in the titleblock. Other information shown is to be considered indicative only. The drawing is to be read in conjunction with all other relevant design drawings.

c. O.S. data used for plans are printed under © Ordnance Survey Ireland Government of Ireland. All rights reserved. Licence Number 2022/OSI_NMA_160 National Transport Authority. All elevations are in metres and relate to OSi Geoid Model (OSGM15) Mean Head. All Co-ordinates are in Irish Transverse Mercator Grid (ITM) as defined by OSI active local GPS station.

d. Information concerning the position of apparatus shown on this drawing is based on drawings supplied by the utility owners and/or the utility works contractor, whilst every care has been taken in the preparation of this drawing, positions should be taken as appropriate and are intended for general guidance only and no representation is made by the NTA as to the accuracy, completeness, sufficiency or otherwise of this drawing and the position of the apparatus. The information contained herein does not purport to be comprehensive or final as the apparatus is subject to being altered and/or superseded. Recipients should not rely on this information. Any liabilities are hereby expressly disclaimed.

e. The information contained herein has been provided by the NTA but does not purport to be comprehensive or final. Recipients should not rely on the information. Neither the NTA nor any of its directors, officers, employees, agents, stakeholders or advisers make any representation or warranty as to, or accept any liability or responsibility in relation to, the adequacy, accuracy, reasonableness or completeness of the information provided as part of this document or any matter on which the information is based (including but not limited to loss or damage arising as a result of reliance by recipients on the information or any part of it). Any liabilities are hereby expressly disclaimed.



Rev	Date	Dm	Chk'd	App'd	Description
M01	08/05/2023	RB	RH	RS	ISSUE FOR PHASE 4: PLANNING

Client: **NTA**
Údarás Náisiúnta Iompair
National Transport Authority

Engineering Designer: **Jacobs**

Date	Scale	Drawn	Checked	Approved
08/05/2023	1:250 @ A1 1:500 @ A3	RB	RH	RS
Project Code	Originator Code	QMS Code		
BCIDB	JAC			

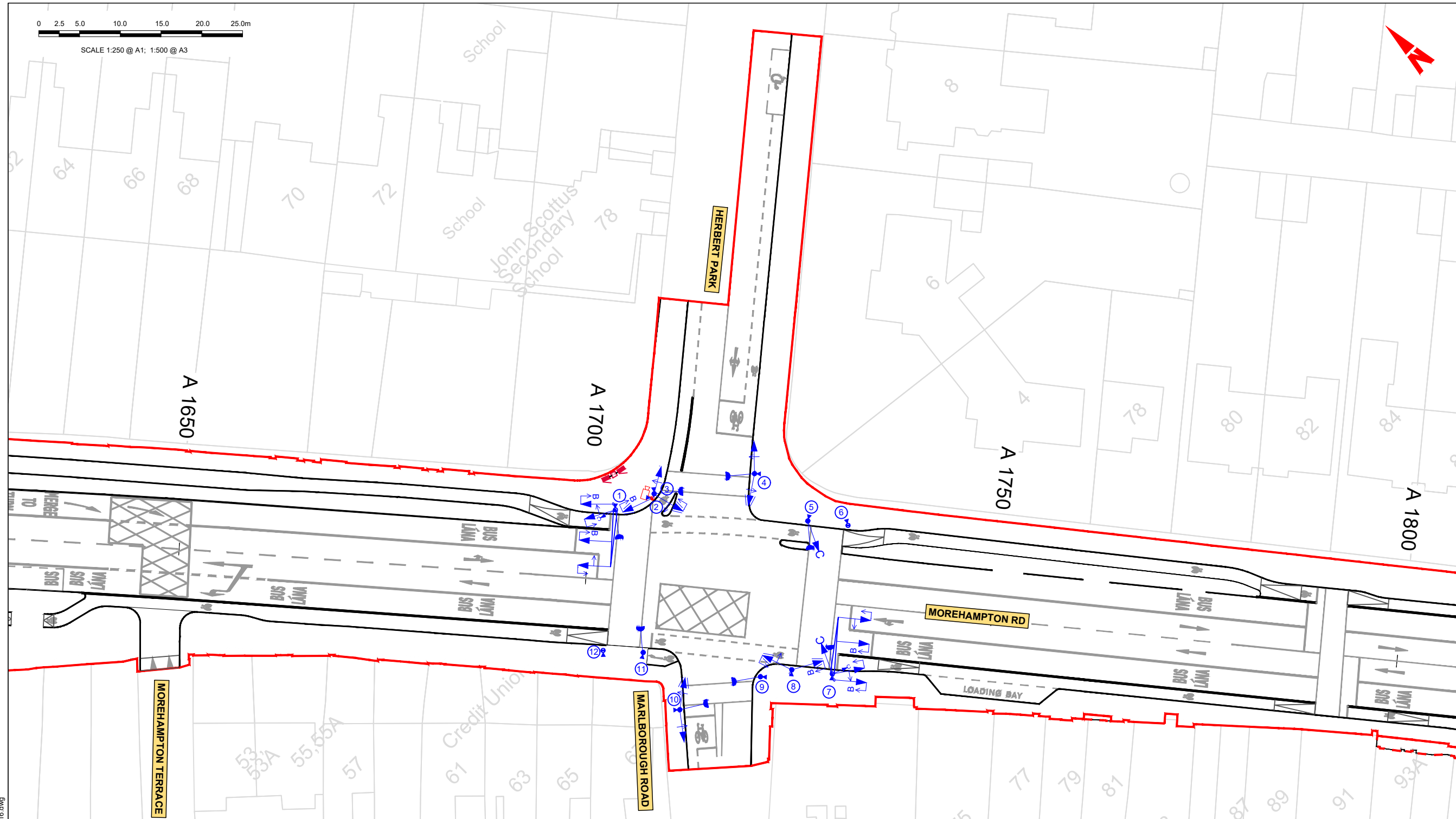
Programme Title BUSCONNECTS DUBLIN CORE BUS CORRIDORS INFRASTRUCTURE WORKS			
Drawing Title BRAY TO CITY CENTRE CORE BUS CORRIDOR SCHEME JUNCTION SYSTEMS DESIGN MOREHAMPTON ROAD / BLOOMFIELD AVENUE			
Drawing File Name BCIDB-JAC-TSM_SJ-0013_XX_00-DR-TR-0018	Sheet Number 18 of 60	Status A	Rev M01

DO NOT SCALE USE FIGURED DIMENSIONS ONLY

C:\pwworking\jacobs_uk_highways_asd\jgintl_bayrd2d\148470\BCIDB-JAC-TSM_SJ-0013_XX_00-DR-TR-0018.dwg

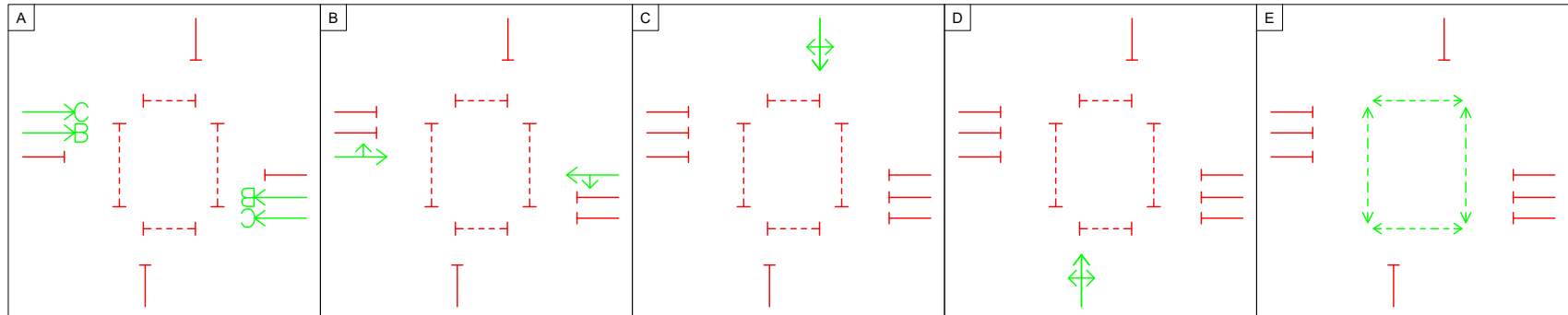
0 2.5 5.0 10.0 15.0 20.0 25.0m

SCALE 1:250 @ A1; 1:500 @ A3



- LEGEND:**
- TRAFFIC SIGNAL HEADS:**
- RTS 002 PRIMARY
 - RTS 002 SECONDARY
 - RTS 003 PRIMARY
 - RTS 003 SECONDARY
 - RTS 007 (LOW LEVEL) PRIMARY
 - RTS 007 CYCLE HEAD
 - RPC 004 PEDESTRIAN HEAD
- TRAFFIC SIGNAL EQUIPMENT:**
- POLE (STANDARD HEIGHT)
 - SMALL POLE
 - TALL POLE (TRAFFIC SIGNALS)
 - MAST ARM (VARIABLE LENGTH)
 - TALL POLE (CCTV/TRAFFIC SIGNALS)
 - POLE NUMBER
 - PUSH BUTTON UNIT
 - CCTV CAMERA
- GENERAL:**
- SITE BOUNDARY LINE
 - TEMPORARY LAND ACQUISITION

INDICATIVE METHOD OF CONTROL



Disclaimer

a. © National Transport Authority (NTA) 2022. This drawing is confidential and the copyright in it is owned by NTA. This drawing must not be either loaned, copied or otherwise reproduced in whole or in part or used for any purpose without the prior permission of NTA.

b. This drawing is to be used for the design element identified in the title block. Other information shown is to be considered indicative only. The drawing is to be read in conjunction with all other relevant design drawings.

c. O.S. data used for plans are printed under © Ordnance Survey Ireland Government of Ireland. All rights reserved. Licence Number 2022/OSI_NMA_180 National Transport Authority. All elevations are in metres and relate to OSi Geoid Model (OSGM15) Mean Head. All Co-ordinates are in Irish Transverse Mercator Grid (ITM) as defined by OSi active local GPS station.

d. Information concerning the position of apparatus shown on this drawing is based on drawings supplied by the utility owners and/or the utility works contractor, whilst every care has been taken as appropriate and are intended for general guidance only and no representation is made by the NTA as to the accuracy, completeness, sufficiency or otherwise of this drawing and the position of the apparatus. The information contained herein does not purport to be comprehensive or final as the apparatus is subject to being altered and/or superseded. Recipients should not rely on this information. Any liabilities are hereby expressly disclaimed.

e. The information contained herein has been provided by the NTA but does not purport to be comprehensive or final. Recipients should not rely on the information. Neither the NTA nor any of its directors, officers, employees, agents, stakeholders or advisers make any representation or warranty as to, or accept any liability or responsibility in relation to, the adequacy, accuracy, reasonableness or completeness of the information provided as part of this document or any matter on which the information is based (including but not limited to loss or damage arising as a result of reliance by recipients on the information or any part of it). Any liabilities are hereby expressly disclaimed.



Rev	Date	Dm	Chk'd	App'd	Description
M01	08/05/2023	RB	RH	RS	ISSUE FOR PHASE 4: PLANNING

Client: **NTA** Údarás Náisiúnta Iompair National Transport Authority

Engineering Designer: **Jacobs**

Date	Scale	Drawn	Checked	Approved
08/05/2023	1:250 @ A1 1:500 @ A3	RB	RH	RS

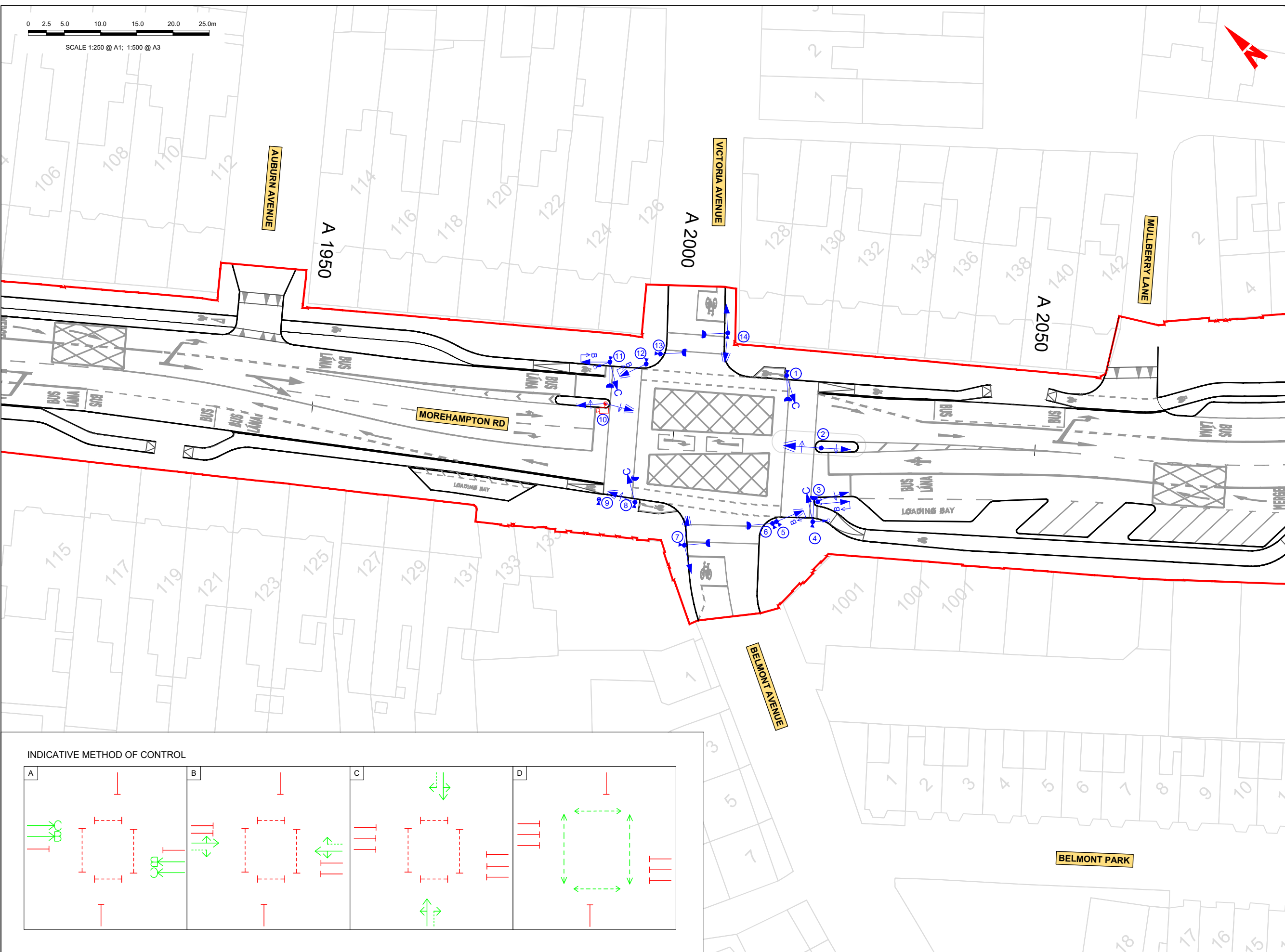
Project Code: BCIDB | Originator Code: JAC | QMS Code:

Programme Title: BUSCONNECTS DUBLIN			
CORE BUS CORRIDORS INFRASTRUCTURE WORKS			
Drawing Title: BRAY TO CITY CENTRE CORE BUS CORRIDOR SCHEME JUNCTION SYSTEMS DESIGN MOREHAMPTON ROAD / HERBERT PARK			
Drawing File Name: BCIDB-JAC-TSM_SJ-0013_XX_00-DR-TR-0019	Sheet Number: 19 of 60	Status: A	Rev: M01

DO NOT SCALE USE FIGURED DIMENSIONS ONLY

C:\pwworking\jacobs_uk_highways_asd\jgintl_bayd2d\148470\BCIDB-JAC-TSM_SJ-0013_XX_00-DR-TR-0016.dwg

0 2.5 5.0 10.0 15.0 20.0 25.0m
SCALE 1:250 @ A1; 1:500 @ A3



LEGEND:

TRAFFIC SIGNAL HEADS:

- RTS 001 PRIMARY
- RTS 001 SECONDARY
- RTS 002 PRIMARY
- RTS 002 SECONDARY
- RTS 003 PRIMARY
- RTS 003 SECONDARY
- RTS 007 (LOW LEVEL) PRIMARY
- RTS 007 CYCLE HEAD
- RPC 004 PEDESTRIAN HEAD

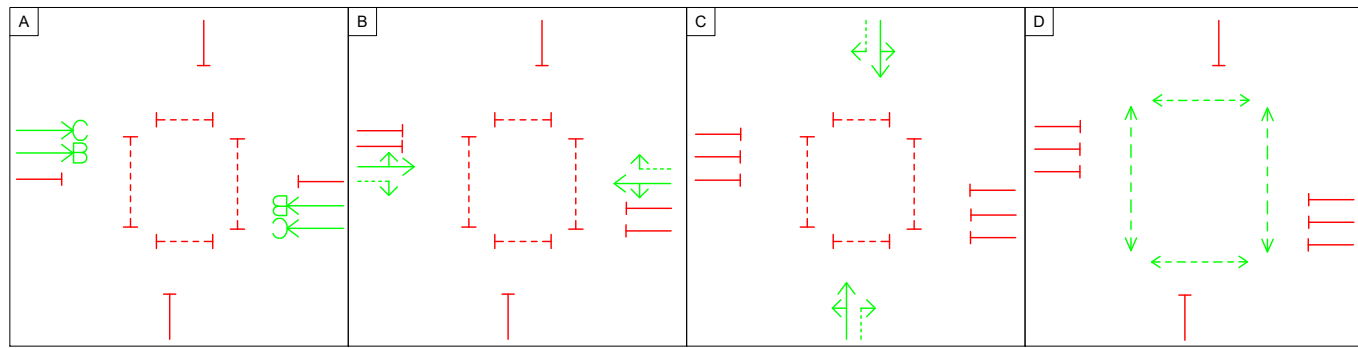
TRAFFIC SIGNAL EQUIPMENT:

- POLE (STANDARD HEIGHT)
- SMALL POLE
- TALL POLE (TRAFFIC SIGNALS)
- MAST ARM (VARIABLE LENGTH)
- TALL POLE (CCTV/TRAFFIC SIGNALS)
- POLE NUMBER
- PUSH BUTTON UNIT
- PAN / TILT / ZOOM CCTV CAMERA

GENERAL:

- SITE BOUNDARY LINE
- TEMPORARY LAND ACQUISITION

INDICATIVE METHOD OF CONTROL



Disclaimer

a. © National Transport Authority (NTA) 2022. This drawing is confidential and the copyright in it is owned by NTA. This drawing must not be either loaned, copied or otherwise reproduced in whole or in part or used for any purpose without the prior permission of NTA.

b. This drawing is to be used for the design element identified in the titleblock. Other information shown is to be considered indicative only. The drawing is to be read in conjunction with all other relevant design drawings.

c. O.S. data used for plans are printed under © Ordnance Survey Ireland Government of Ireland. All rights reserved. Licence Number 2022/OSI_NMA_180 National Transport Authority. All elevations are in metres and relate to OSi Geoid Model (OSGM15) Mean Head. All Co-ordinates are in Irish Transverse Mercator Grid (ITM) as defined by OSi active local GPS station.

d. Information concerning the position of apparatus shown on this drawing is based on drawings supplied by the utility owners and/or the utility works contractor, whilst every care has been taken in the preparation of this drawing, positions should be taken as approximate and are intended for general guidance only and no representation is made by the NTA as to the accuracy, completeness, sufficiency or otherwise of this information. The information contained herein does not purport to be comprehensive or final as the apparatus is subject to being altered and/or superseded. Recipients should not rely on this information. Any liabilities are hereby expressly disclaimed.

e. The information contained herein has been provided by the NTA but does not purport to be comprehensive or final. Recipients should not rely on the information. Neither the NTA nor any of its directors, officers, employees, agents, stakeholders or advisers make any representation or warranty as to, or accept any liability or responsibility in relation to, the adequacy, accuracy, reasonableness or completeness of the information provided as part of this document or any matter on which the information is based (including but not limited to loss or damage arising as a result of reliance by recipients on the information or any part of it). Any liabilities are hereby expressly disclaimed.



Rev	Date	Drn	Chk'd	App'd	Description
M01	08/05/2023	RB	RH	RS	ISSUE FOR PHASE 4: PLANNING

Client: **NTA**
Údarás Náisiúnta Iompair
National Transport Authority

Engineering Designer: **Jacobs**

Date	Scale	Drawn	Checked	Approved
08/05/2023	1:250 @ A1 1:500 @ A3	RB	RH	RS

Project Code: BCIDB | Originator Code: JAC | QMS Code:

Programme Title: BUSCONNECTS DUBLIN			
CORE BUS CORRIDORS INFRASTRUCTURE WORKS			
Drawing Title: BRAY TO CITY CENTRE CORE BUS CORRIDOR SCHEME JUNCTION SYSTEMS DESIGN DONNYBROOK ROAD / BELMONT AVENUE			
Drawing File Name: BCIDB-JAC-TSM_SJ-0013_XX_00-DR-TR-0020	Sheet Number: 20 of 60	Status: A	Rev: M01

DO NOT SCALE USE FIGURED DIMENSIONS ONLY

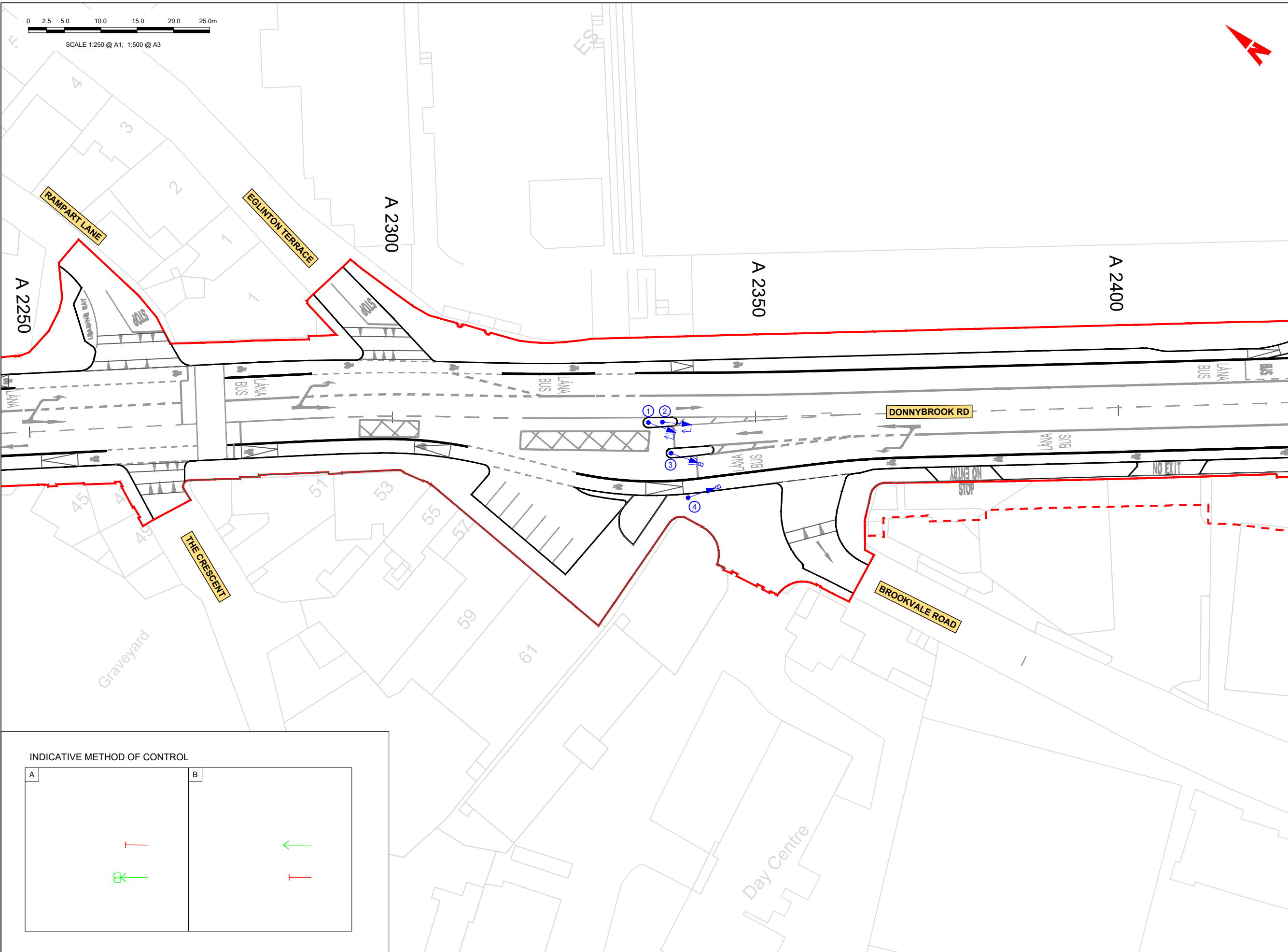
C:\pwworking\jacobs_uk_highways_asd\legintl_bay\d2d\148470\BCIDB-JAC-TSM_SJ-0013_XX_00-DR-TR-0016.dwg

0 2.5 5.0 10.0 15.0 20.0 25.0m

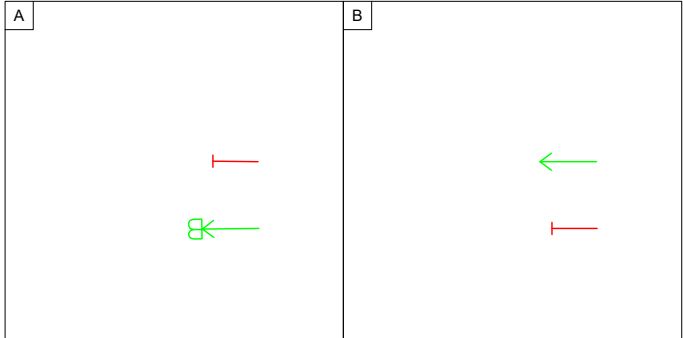
SCALE 1:250 @ A1; 1:500 @ A3



- LEGEND:**
- TRAFFIC SIGNAL HEADS:**
 - RTS 002 PRIMARY
 - RTS 002 SECONDARY
 - TRAFFIC SIGNAL EQUIPMENT:**
 - POLE (STANDARD HEIGHT)
 - POLE NUMBER
 - GENERAL:**
 - SITE BOUNDARY LINE
 - TEMPORARY LAND ACQUISITION



INDICATIVE METHOD OF CONTROL



Disclaimer

a. © National Transport Authority (NTA) 2022. This drawing is confidential and the copyright in it is owned by NTA. This drawing must not be either loaned, copied or otherwise reproduced in whole or in part or used for any purpose without the prior permission of NTA.

b. This drawing is to be used for the design element identified in the titleblock. Other information shown is to be considered indicative only. The drawing is to be read in conjunction with all other relevant design drawings.

c. O.S. data used for plans are printed under © Ordnance Survey Ireland Government of Ireland. All rights reserved. Licence Number 2022/OSI_NMA_180 National Transport Authority. All elevations are in metres and relate to OSi Geoid Model (OSGM15) Mean Head. All Co-ordinates are in Irish Transverse Mercator Grid (ITM) as defined by OSI active local GPS station.

d. Information concerning the position of apparatus shown on this drawing is based on drawings supplied by the utility owners and/or the utility works contractor, whilst every care has been taken as appropriate and are intended for general guidance only and no representation is made by the NTA as to the accuracy, completeness, sufficiency or otherwise of this drawing and the position of the apparatus. The information contained herein does not purport to be comprehensive or final as the apparatus is subject to being altered and/or superseded. Recipients should not rely on this information. Any liabilities are hereby expressly disclaimed.

e. The information contained herein has been provided by the NTA but does not purport to be comprehensive or final. Recipients should not rely on the information. Neither the NTA nor any of its directors, officers, employees, agents, stakeholders or advisers make any representation or warranty as to, or accept any liability or responsibility in relation to, the adequacy, accuracy, reasonableness or completeness of the information provided as part of this document or any matter on which the information is based (including but not limited to loss or damage arising as a result of reliance by recipients on the information or any part of it). Any liabilities are hereby expressly disclaimed.



Rev	Date	Dm	Chk'd	App'd	Description
M01	08/05/2023	RB	RH	RS	ISSUE FOR PHASE 4: PLANNING

Client: **NTA**
 Údarás Náisiúnta Iompair
 National Transport Authority

Engineering Designer: **Jacobs**

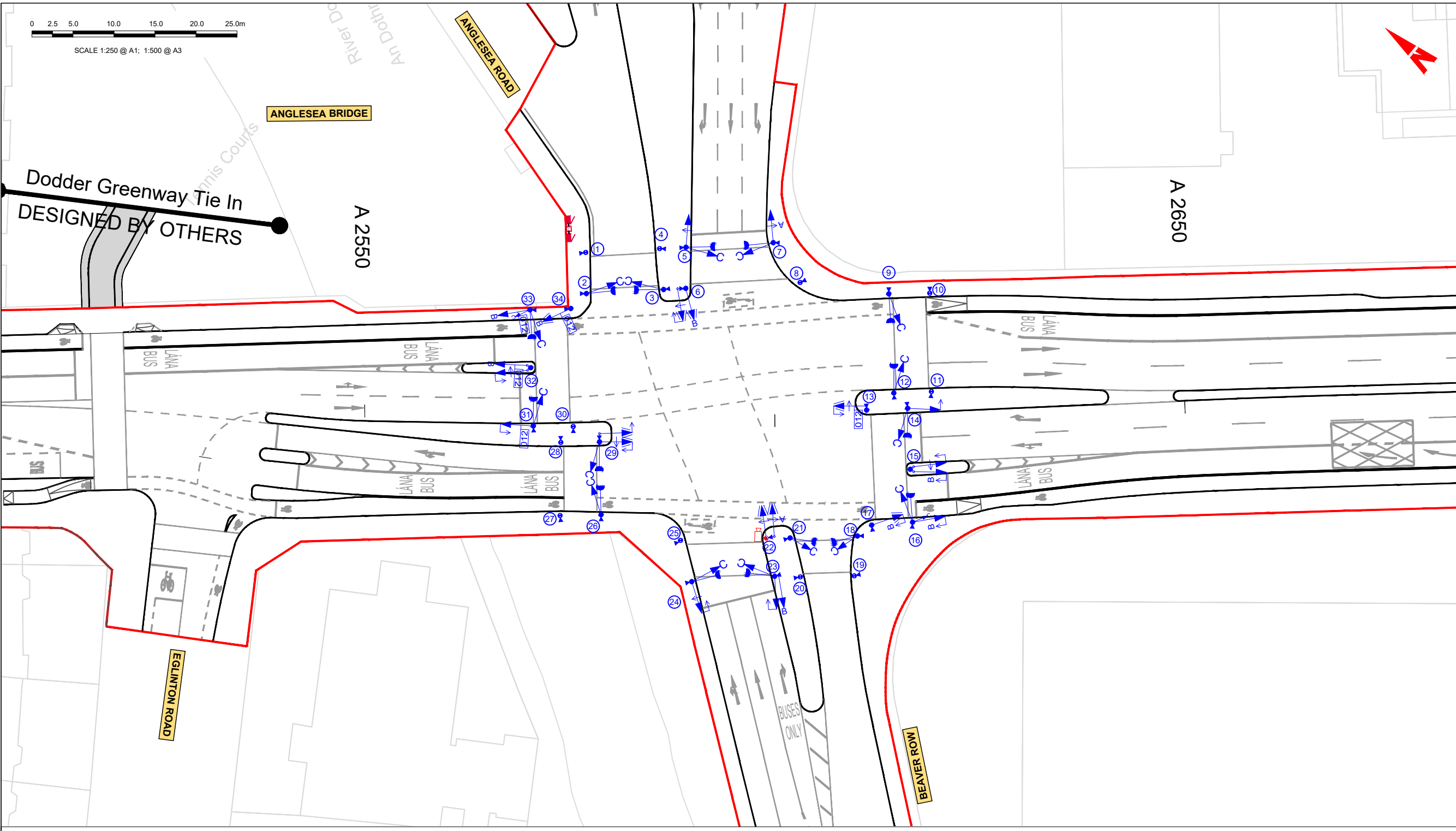
Date	Scale	Drawn	Checked	Approved
08/05/2023	1:250 @ A1 1:500 @ A3	RB	RH	RS

Project Code: BCIDB | Originator Code: JAC | QMS Code:

Programme Title BUSCONNECTS DUBLIN			
CORE BUS CORRIDORS INFRASTRUCTURE WORKS			
Drawing Title BRAY TO CITY CENTRE CORE BUS CORRIDOR SCHEME JUNCTION SYSTEMS DESIGN DANNYBROOK ROAD / EGLINTON TERRACE			
Drawing File Name BCIDB-JAC-TSM_SJ-0013_XX_00-DR-TR-0021	Sheet Number 21 of 60	Status A	Rev M01

DO NOT SCALE USE FIGURED DIMENSIONS ONLY

C:\pwworking\jacobs_uk_highways_ssd\legintl_bayd2d\0148470\BCIDB-JAC-TSM_SJ-0013_XX_00-DR-TR-0021.dwg



LEGEND:

TRAFFIC SIGNAL HEADS:

- RTS 002 PRIMARY
- RTS 002 (RUS 012) PRIMARY
- RTS 002 PRIMARY
- RTS 002 SECONDARY
- RTS 002 PRIMARY
- RTS 002 SECONDARY
- RTS 002 PRIMARY
- RTS 002 SECONDARY
- RTS 002 (RUS 012) PRIMARY
- RTS 002 (RUS 012) SECONDARY
- RTS 003 PRIMARY
- RTS 003 SECONDARY
- RTS 003 PRIMARY
- RTS 003 SECONDARY
- RTS 003 (RUS 012) SECONDARY
- RTS 003 PRIMARY
- RTS 003 SECONDARY
- RTS 007 (LOW LEVEL) PRIMARY
- RTS 007 CYCLE HEAD
- RPC 004 PEDESTRIAN HEAD

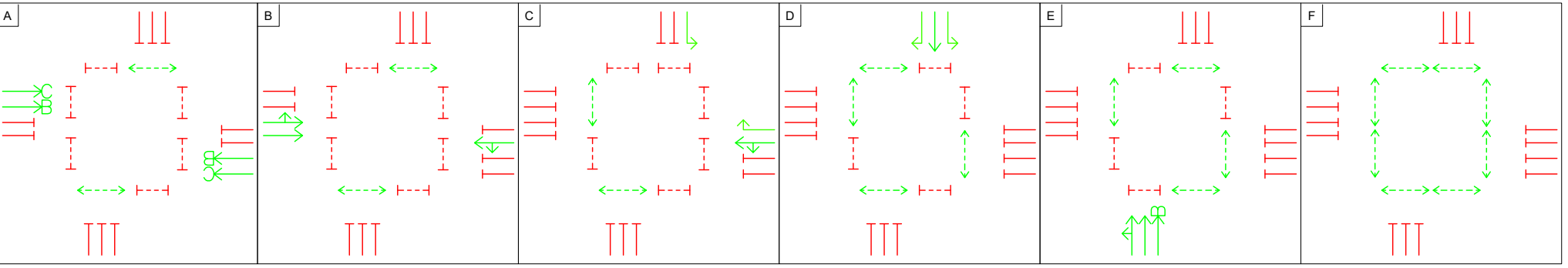
TRAFFIC SIGNAL EQUIPMENT:

- POLE (STANDARD HEIGHT)
- MAST ARM (VARIABLE LENGTH)
- TALL POLE (CCTV/TRAFFIC SIGNALS)
- POLE NUMBER
- PUSH BUTTON UNIT
- PAN / TILT / ZOOM CCTV CAMERA

GENERAL:

- SITE BOUNDARY LINE
- TEMPORARY LAND ACQUISITION

INDICATIVE METHOD OF CONTROL



Disclaimer

a. © National Transport Authority (NTA) 2022. This drawing is confidential and the copyright in it is owned by NTA. This drawing must not be either loaned, copied or otherwise reproduced in whole or in part or used for any purpose without the prior permission of NTA.

b. This drawing is to be used for the design element identified in the titleblock. Other information shown is to be considered indicative only. The drawing is to be read in conjunction with all other relevant design drawings.

c. O.S. data used for plans are printed under © Ordnance Survey Ireland Government of Ireland. All rights reserved. Licence Number 2022/OSI/NMA_180 National Transport Authority. All elevations are in metres and relate to OSi Geoid Model (OSGM15) Mean Head. All Co-ordinates are in Irish Transverse Mercator Grid (ITM) as defined by OSi active local GPS station.

d. Information concerning the position of apparatus shown on this drawing is based on drawings supplied by the utility owners and/or the utility works contractor, whilst every care has been taken in the preparation of this drawing, positions should be taken as appropriate and are intended for general guidance only and no representation is made by the NTA as to the accuracy, completeness, sufficiency or otherwise of final as the apparatus is subject to being altered and/or superseded. Recipients should not rely on this information. Any liabilities are hereby expressly disclaimed.

e. The information contained herein has been provided by the NTA but does not purport to be comprehensive or final. Recipients should not rely on the information. Neither the NTA nor any of its directors, officers, employees, agents, stakeholders or advisers make any representation or warranty as to, or accept any liability or responsibility in relation to, the adequacy, accuracy, reasonableness or completeness of the information provided as part of this document or any matter on which the information is based (including but not limited to loss or damage arising as a result of reliance by recipients on the information or any part of it). Any liabilities are hereby expressly disclaimed.

Rev	Date	Dm	Chk'd	App'd	Description
M01	08/05/2023	RB	RH	RS	ISSUE FOR PHASE 4: PLANNING

Client: **NTA**
 Údarás Náisiúnta Iompair
 National Transport Authority

Engineering Designer: **Jacobs**

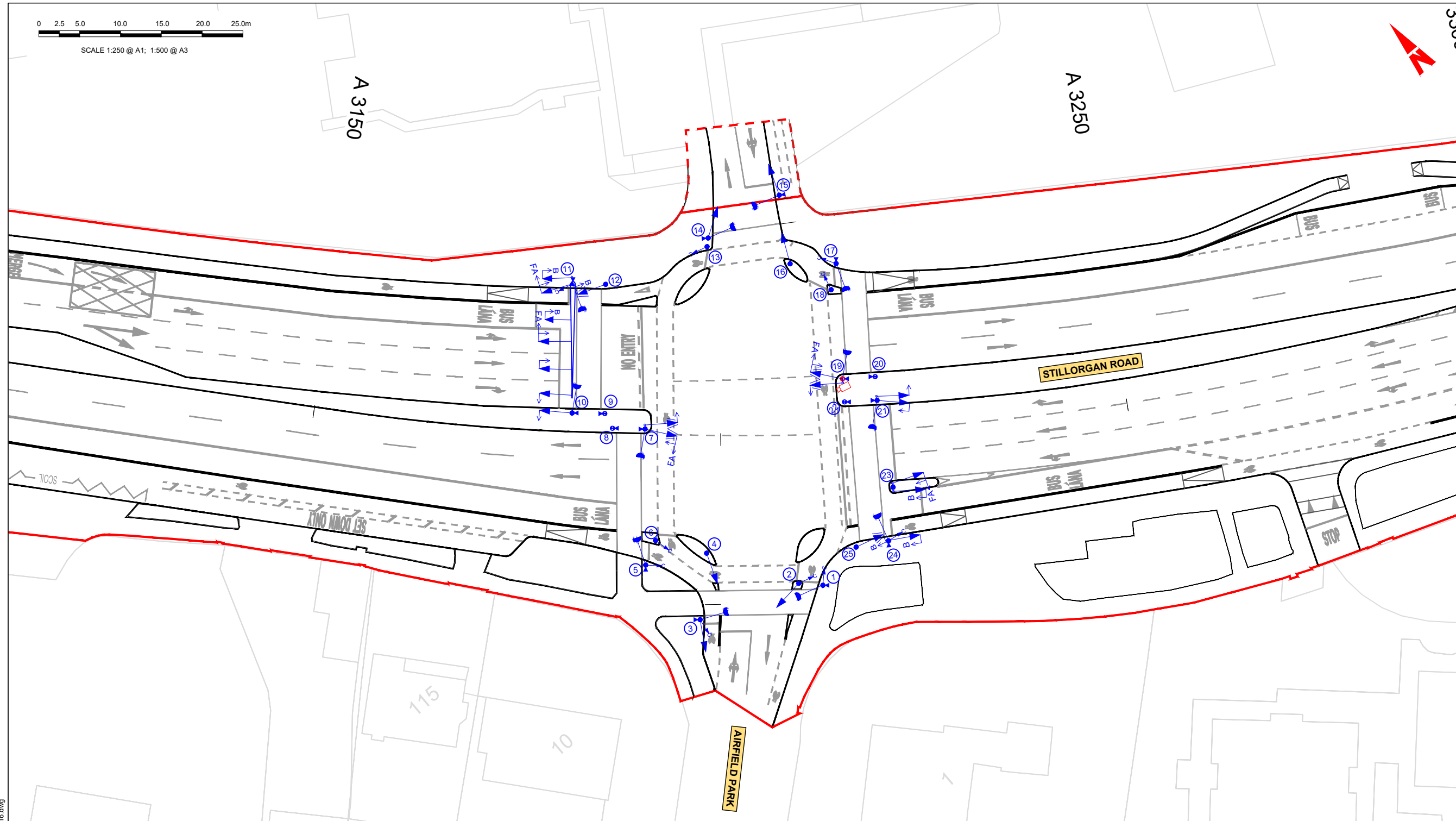
Date	Scale	Drawn	Checked	Approved
08/05/2023	1:250 @ A1 1:500 @ A3	RB	RH	RS
Project Code	Originator Code	QMS Code		
BCIDB	JAC			

Programme Title BUSCONNECTS DUBLIN CORE BUS CORRIDORS INFRASTRUCTURE WORKS			
Drawing Title BRAY TO CITY CENTRE CORE BUS CORRIDOR SCHEME JUNCTION SYSTEMS DESIGN DONNYBROOK ROAD / ANGLESEA ROAD			
Drawing File Name BCIDB-JAC-TSM_SJ-0013_XX_00-DR-TR-0022	Sheet Number 22 of 60	Status A	Rev M01

DO NOT SCALE USE FIGURED DIMENSIONS ONLY

C:\pwworking\jacobs_uk_highways_asd\legintl_bay\d2d\148470\BCIDB-JAC-TSM_SJ-0013_XX_00-DR-TR-0016.dwg

0 2.5 5.0 10.0 15.0 20.0 25.0m
SCALE 1:250 @ A1; 1:500 @ A3



LEGEND:

TRAFFIC SIGNAL HEADS:

- RTS 001 PRIMARY
- RTS 002 PRIMARY
- RTS 002 SECONDARY
- RTS 002 PRIMARY
- RTS 002 PRIMARY
- RTS 002 SECONDARY
- RTS 003 PRIMARY
- RTS 003 SECONDARY
- RTS 007 (LOW LEVEL) PRIMARY
- RPC 004 PEDESTRIAN HEAD

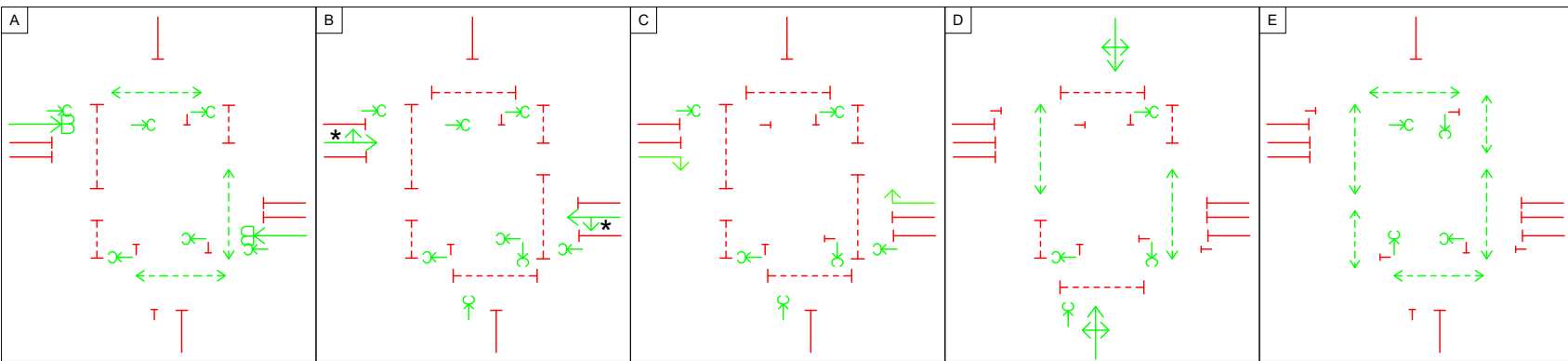
TRAFFIC SIGNAL EQUIPMENT:

- POLE (STANDARD HEIGHT)
- SMALL POLE
- TALL POLE (TRAFFIC SIGNALS)
- MAST ARM (VARIABLE LENGTH)
- TALL POLE (CCTV/TRAFFIC SIGNALS)
- POLE NUMBER
- PUSH BUTTON UNIT
- PAN / TILT / ZOOM CCTV CAMERA

GENERAL:

- SITE BOUNDARY LINE
- TEMPORARY LAND ACQUISITION

INDICATIVE METHOD OF CONTROL



Disclaimer

a. © National Transport Authority (NTA) 2022. This drawing is confidential and the copyright in it is owned by NTA. This drawing must not be either loaned, copied or otherwise reproduced in whole or in part or used for any purpose without the prior permission of NTA.

b. This drawing is to be used for the design element identified in the titleblock. Other information shown is to be considered indicative only. The drawing is to be read in conjunction with all other relevant design drawings.

c. O.S. data used for plans are printed under © Ordnance Survey Ireland Government of Ireland. All rights reserved. Licence Number 2022/OSI_NMA_180 National Transport Authority. All elevations are in metres and relate to OSi Geoid Model (OSGM15) Mean Head. All Co-ordinates are in Irish Transverse Mercator Grid (ITM) as defined by OSI active local GPS station.

d. Information concerning the position of apparatus shown on this drawing is based on drawings supplied by the utility owners and/or the utility works contractor, whilst every care has been taken in the preparation of this drawing, positions should be taken as appropriate and are intended for general guidance only and no representation is made by the NTA as to the accuracy, completeness, sufficiency or otherwise of this drawing and the position of the apparatus. The information contained herein does not purport to be comprehensive or final as the apparatus is subject to being altered and/or superseded. Recipients should not rely on this information. Any liabilities are hereby expressly disclaimed.

e. The information contained herein has been provided by the NTA but does not purport to be comprehensive or final. Recipients should not rely on the information. Neither the NTA nor any of its directors, officers, employees, agents, stakeholders or advisers make any representation or warranty as to, or accept any liability or responsibility in relation to, the adequacy, accuracy, reasonableness or completeness of the information provided as part of this document or any matter on which the information is based (including but not limited to loss or damage arising as a result of reliance by recipients on the information or any part of it). Any liabilities are hereby expressly disclaimed.



Rev	Date	Dm	Chk'd	App'd	Description
M01	08/05/2023	RB	RH	RS	ISSUE FOR PHASE 4: PLANNING

Client: **NTA** (Údarás Náisiúnta Iompair National Transport Authority)

Engineering Designer: **Jacobs**

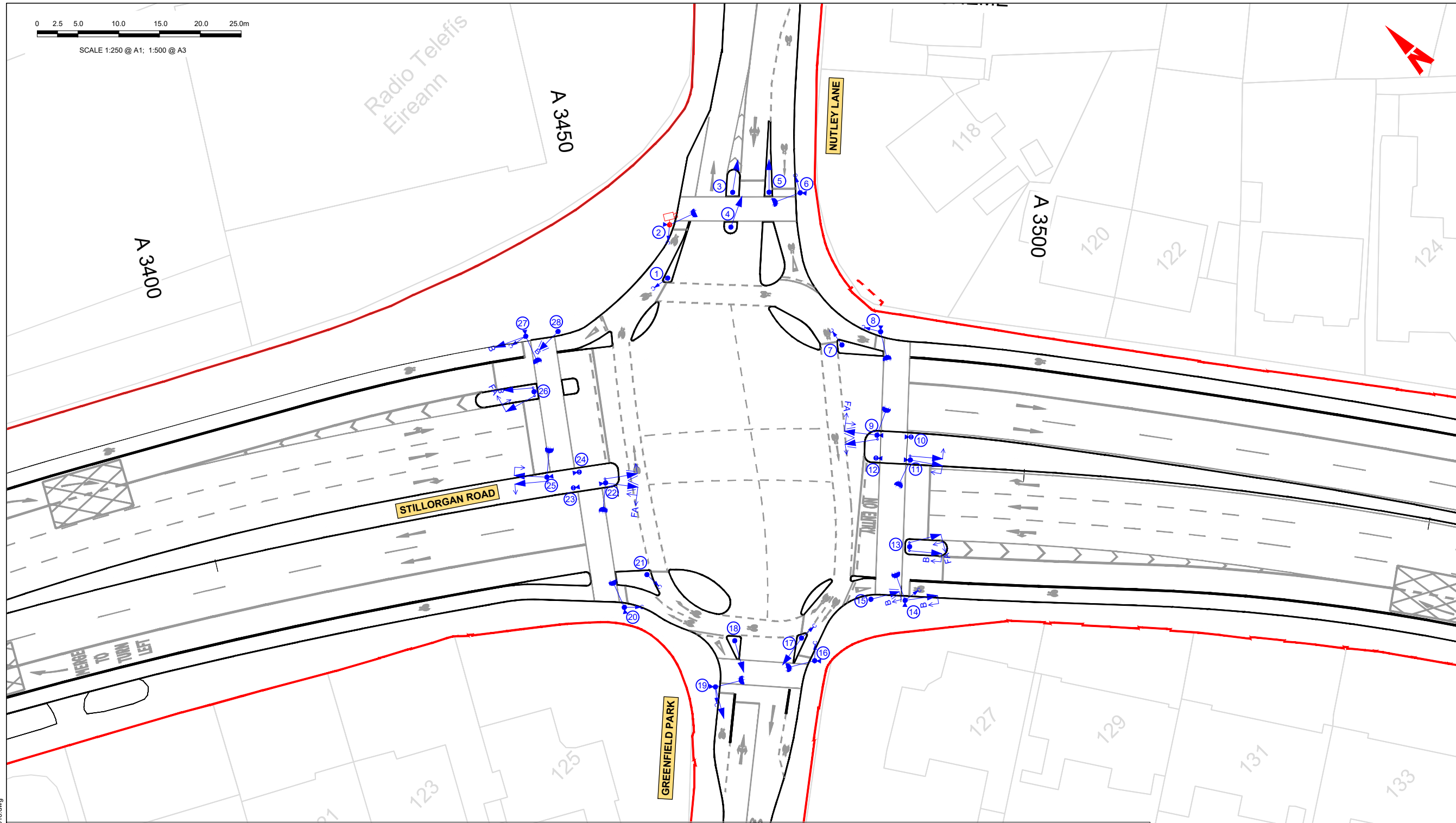
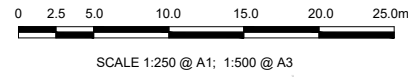
Date	Scale	Drawn	Checked	Approved
08/05/2023	1:250 @ A1 1:500 @ A3	RB	RH	RS

Project Code: BCIDB | Originator Code: JAC | OMS Code:

Programme Title: BUSCONNECTS DUBLIN			
CORE BUS CORRIDORS INFRASTRUCTURE WORKS			
Drawing Title: BRAY TO CITY CENTRE CORE BUS CORRIDOR SCHEME JUNCTION SYSTEMS DESIGN STILLORGAN ROAD / AIRFIELD PARK			
Drawing File Name: BCIDB-JAC-TSM_SJ-0013_XX_00-DR-TR-0023	Sheet Number: 23 of 60	Status: A	Rev: M01

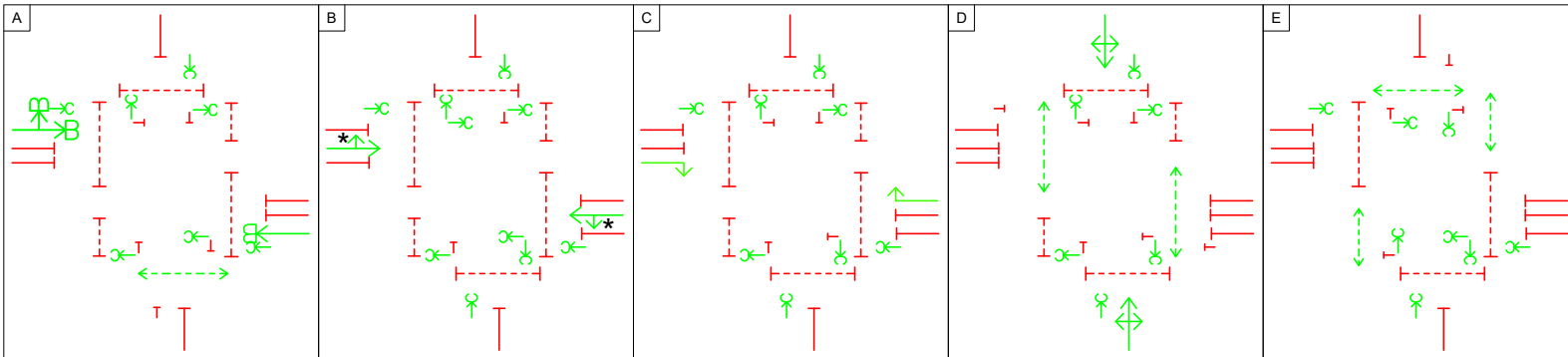
DO NOT SCALE USE FIGURED DIMENSIONS ONLY

C:\pwworking\jacobs_uk_highways_asd\jgintl_bovrd\2023\0148470\BCIDB-JAC-TSM_SJ-0013_XX_00-DR-TR-0016.dwg



- LEGEND:**
- TRAFFIC SIGNAL HEADS:**
- RTS 001 PRIMARY
 - RTS 002 PRIMARY
 - RTS 002 PRIMARY
 - RTS 002 SECONDARY
 - RTS 002 PRIMARY
 - RTS 002 SECONDARY
 - RTS 002 PRIMARY
 - RTS 002 SECONDARY
 - RTS 003 PRIMARY
 - RTS 003 SECONDARY
 - RTS 007 (LOW LEVEL) PRIMARY
 - RPC 004 PEDESTRIAN HEAD
- TRAFFIC SIGNAL EQUIPMENT:**
- POLE (STANDARD HEIGHT)
 - SMALL POLE
 - TALL POLE (TRAFFIC SIGNALS)
 - MAST ARM (VARIABLE LENGTH)
 - TALL POLE (CCTV/TRAFFIC SIGNALS)
 - POLE NUMBER
 - PUSH BUTTON UNIT
 - PAN / TILT / ZOOM CCTV CAMERA
- GENERAL:**
- SITE BOUNDARY LINE
 - TEMPORARY LAND ACQUISITION

INDICATIVE METHOD OF CONTROL



* = FLASHING AMBER

Disclaimer

a. © National Transport Authority (NTA) 2022. This drawing is confidential and the copyright in it is owned by NTA. This drawing must not be either loaned, copied or otherwise reproduced in whole or in part or used for any purpose without the prior permission of NTA.

b. This drawing is to be used for the design element identified in the titleblock. Other information shown is to be considered indicative only. The drawing is to be read in conjunction with all other relevant design drawings.

c. O.S. data used for plans are printed under © Ordnance Survey Ireland Government of Ireland. All rights reserved. Licence Number 2022/OSI_NMA_180 National Transport Authority. All elevations are in metres and relate to OSI Geoid Model (OSGM15) Mean Head. All Co-ordinates are in Irish Transverse Mercator Grid (ITM) as defined by OSI active local GPS station.

d. Information concerning the position of apparatus shown on this drawing is based on drawings supplied by the utility owners and/or the utility works contractor, whilst every care has been taken in the preparation of this drawing, positions should be taken as approximate and are intended for general guidance only and no representation is made by the NTA as to the accuracy, completeness, sufficiency or otherwise of the information contained herein does not purport to be comprehensive or final as the apparatus is subject to being altered and/or superseded. Recipients should not rely on this information. Any liabilities are hereby expressly disclaimed.

e. The information contained herein has been provided by the NTA but does not purport to be comprehensive or final. Recipients should not rely on the information. Neither the NTA nor any of its directors, officers, employees, agents, stakeholders or advisers make any representation or warranty as to, or accept any liability or responsibility in relation to, the adequacy, accuracy, reasonableness or completeness of the information provided as part of this document or any matter on which the information is based (including but not limited to loss or damage arising as a result of reliance by recipients on the information or any part of it). Any liabilities are hereby expressly disclaimed.



Rev	Date	Dm	Chk'd	App'd	Description
M01	08/05/2023	RB	RH	RS	ISSUE FOR PHASE 4: PLANNING

Client: **NTA**
Údarás Náisiúnta Iompair
National Transport Authority

Engineering Designer: **Jacobs**

Date	Scale	Drawn	Checked	Approved
08/05/2023	1:250 @ A1 1:500 @ A3	RB	RH	RS

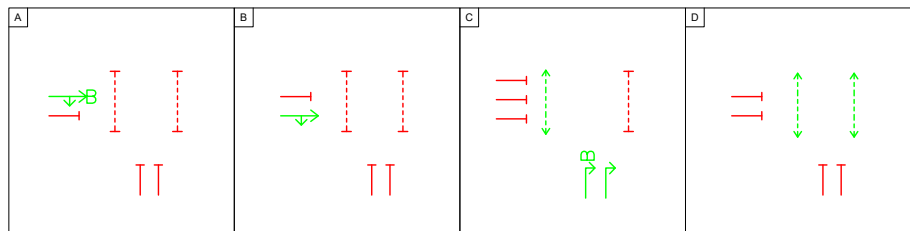
Project Code: BCIDB | Originator Code: JAC | QMS Code:

Programme Title BUSCONNECTS DUBLIN CORE BUS CORRIDORS INFRASTRUCTURE WORKS			
Drawing Title BRAY TO CITY CENTRE CORE BUS CORRIDOR SCHEME JUNCTION SYSTEMS DESIGN STILLORGAN ROAD / GREENFIELD PARK			
Drawing File Name BCIDB-JAC-TSM_SJ-0013_XX_00-DR-TR-0024	Sheet Number 24 of 60	Status A	Rev M01

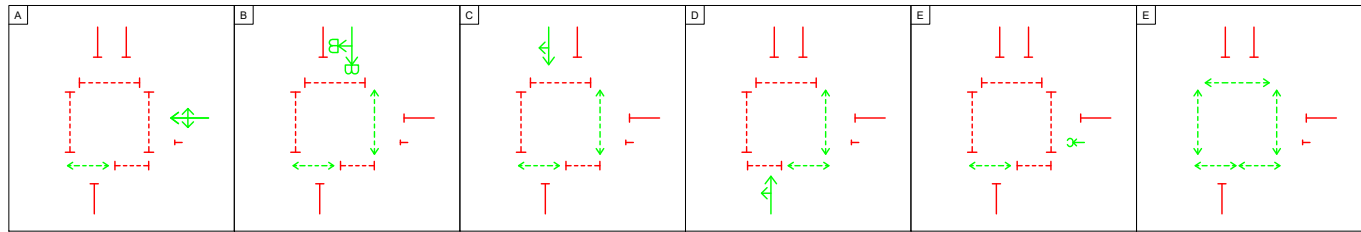
DO NOT SCALE USE FIGURED DIMENSIONS ONLY

C:\pwworking\jacobs_uk_highways_ssd\jgintl_bayrd2d\148470\BCIDB-JAC-TSM_SJ-0013_XX_00-DR-TR-0016.dwg

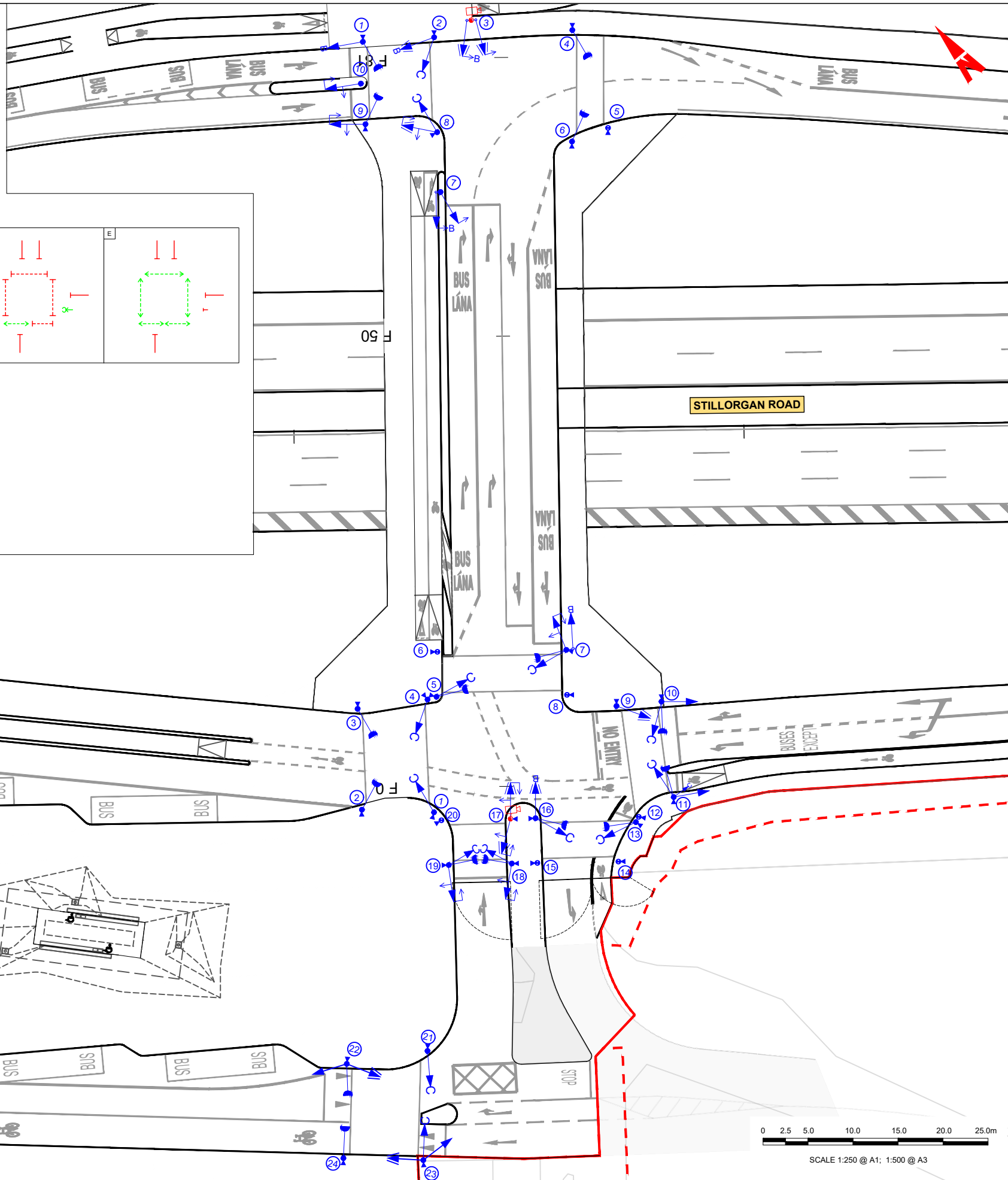
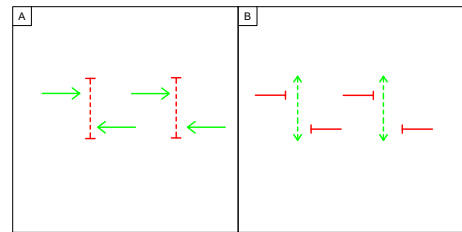
UCD SOUTHBOUND SLIP JUNCTION
INDICATIVE METHOD OF CONTROL



UCD NORTHBOUND SLIP JUNCTION
INDICATIVE METHOD OF CONTROL



UCD SOUTHBOUND INTERCHANGE CROSSINGS
INDICATIVE METHOD OF CONTROL



LEGEND:

TRAFFIC SIGNAL HEADS:

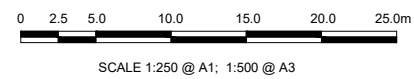
- RTS 001 PRIMARY
- RTS 001 SECONDARY
- RTS 002 PRIMARY
- RTS 002 SECONDARY
- RTS 002 PRIMARY
- RTS 002 SECONDARY
- RTS 002 PRIMARY
- RTS 002 SECONDARY
- RTS 003 PRIMARY
- RTS 003 SECONDARY
- RTS 003 PRIMARY
- RTS 003 SECONDARY
- RTS 007 (LOW LEVEL) PRIMARY
- RTS 007 CYCLE HEAD
- RPC 004 PEDESTRIAN HEAD

TRAFFIC SIGNAL EQUIPMENT:

- POLE (STANDARD HEIGHT)
- MAST ARM (VARIABLE LENGTH)
- TALL POLE (CCTV/TRAFFIC SIGNALS)
- POLE NUMBER
- PUSH BUTTON UNIT
- PAN / TILT / ZOOM CCTV CAMERA

GENERAL:

- SITE BOUNDARY LINE
- TEMPORARY LAND ACQUISITION



C:\pwworking\jacobs_uk_highways_asd\legintl_bayard2d\148470\BCIDB-JAC-TSM_SJ-0013_XX_00-DR-TR-0016.dwg

Disclaimer

a. © National Transport Authority (NTA) 2022. This drawing is confidential and the copyright in it is owned by NTA. This drawing must not be either loaned, copied or otherwise reproduced in whole or in part or used for any purpose without the prior permission of NTA.

b. This drawing is to be used for the design element identified in the titleblock. Other information shown is to be considered indicative only. The drawing is to be read in conjunction with all other relevant design drawings.

c. O.S. data used for plans are printed under © Ordnance Survey Ireland Government of Ireland. All rights reserved. Licence Number 2022/OSI_NMA_180 National Transport Authority. All elevations are in metres and relate to OSi Geoid Model (OSGM15) Mean Head. All Co-ordinates are in Irish Transverse Mercator Grid (ITM) as defined by OSi active local GPS station.

d. Information concerning the position of apparatus shown on this drawing is based on drawings supplied by the utility owners and/or the utility works contractor, whilst every care has been taken in the preparation of this drawing, positions should be taken as appropriate and are intended for general guidance only and no representation is made by the NTA as to the accuracy, completeness, sufficiency or otherwise of this information, and the position of the apparatus. The information contained herein does not purport to be comprehensive or final as the apparatus is subject to being altered and/or superseded. Recipients should not rely on this information. Any liabilities are hereby expressly disclaimed.

e. The information contained herein has been provided by the NTA but does not purport to be comprehensive or final. Recipients should not rely on the information. Neither the NTA nor any of its directors, officers, employees, agents, stakeholders or advisers make any representation or warranty as to, or accept any liability or responsibility in relation to, the adequacy, accuracy, reasonableness or completeness of the information provided as part of this document or any matter on which the information is based (including but not limited to loss or damage arising as a result of reliance by recipients on the information or any part of it). Any liabilities are hereby expressly disclaimed.



Rev	Date	Dm	Chk'd	App'd	Description
M01	08/05/2023	RB	RH	RS	ISSUE FOR PHASE 4: PLANNING

Client: **NTA**
Údarás Náisiúnta Iompair
National Transport Authority

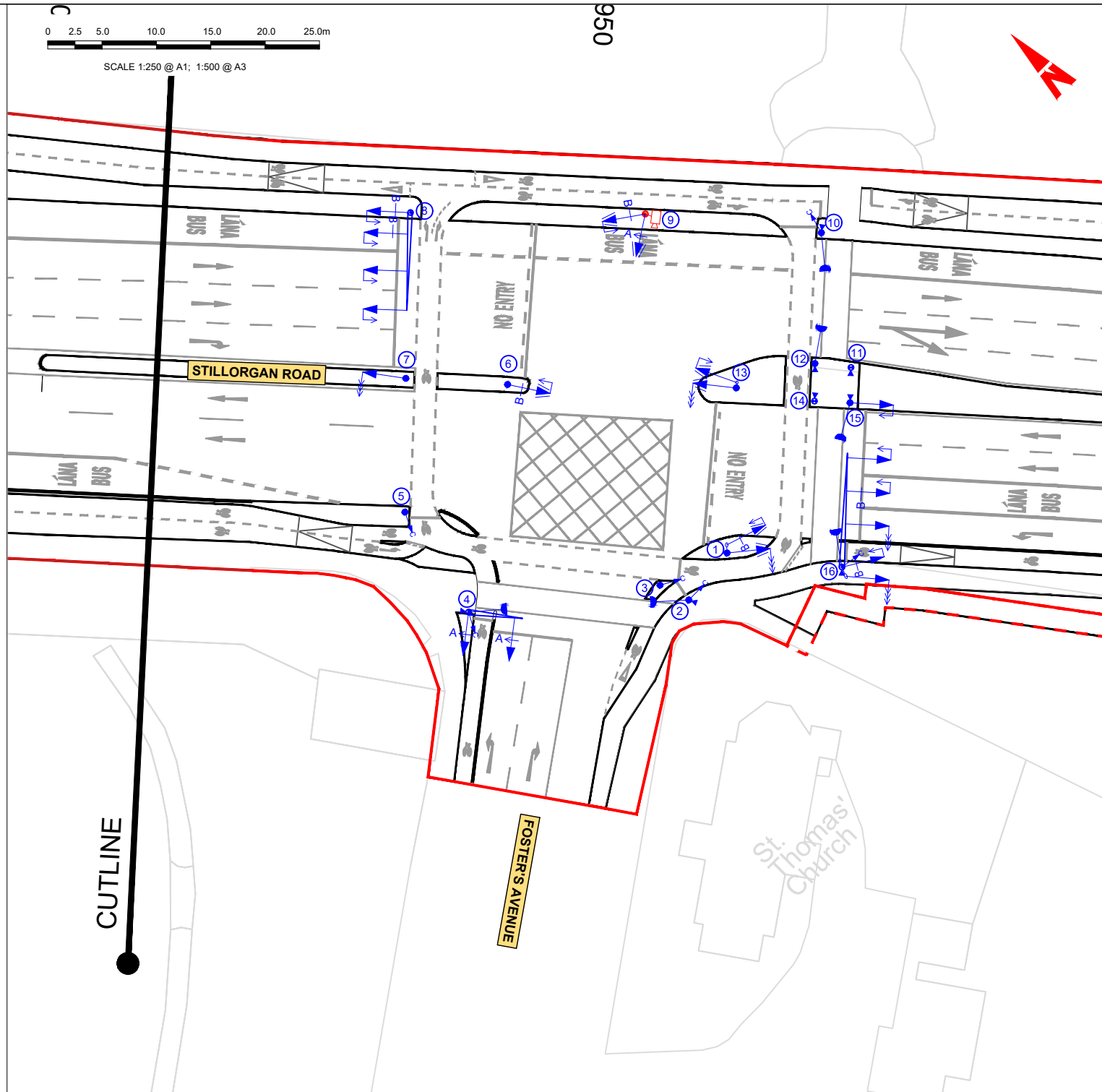
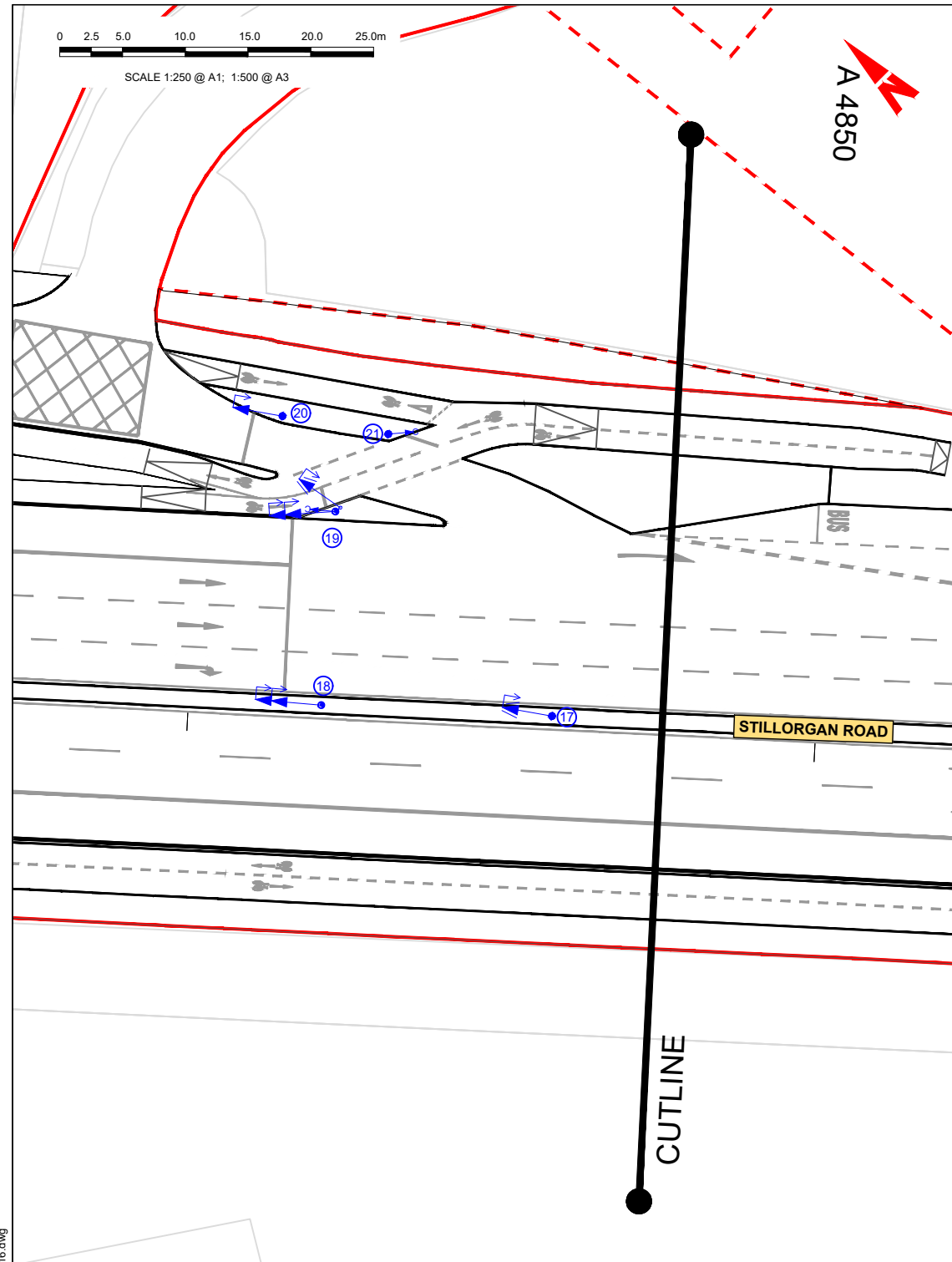
Engineering Designer: **Jacobs**

Date	Scale	Drawn	Checked	Approved
08/05/2023	1:250 @ A1 1:500 @ A3	RB	RH	RS

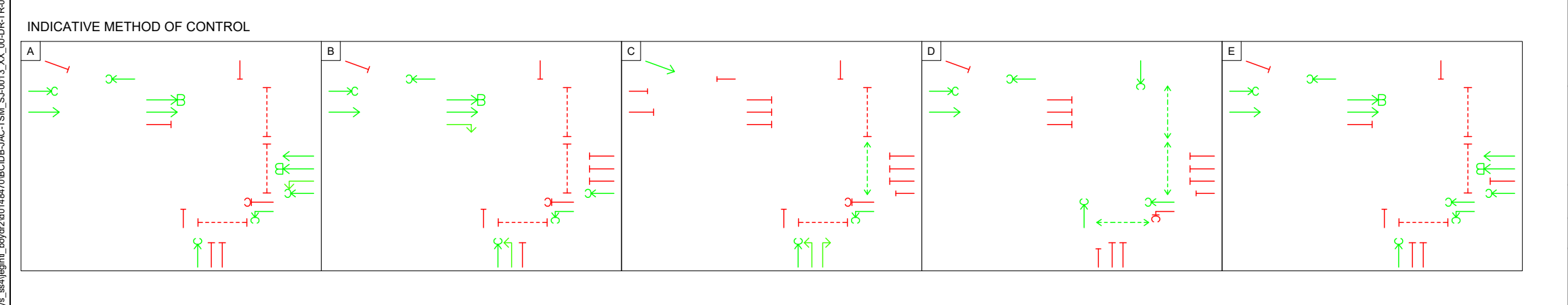
Project Code: BCIDB | Originator Code: JAC | QMS Code:

Programme Title BUSCONNECTS DUBLIN CORE BUS CORRIDORS INFRASTRUCTURE WORKS			
Drawing Title BRAY TO CITY CENTRE CORE BUS CORRIDOR SCHEME JUNCTION SYSTEMS DESIGN UCD GRADE SEPARATED JUNCTION			
Drawing File Name BCIDB-JAC-TSM_SJ-0013_XX_00-DR-TR-0025	Sheet Number 25 of 60	Status A	Rev M01

DO NOT SCALE USE FIGURED DIMENSIONS ONLY



- LEGEND:**
- TRAFFIC SIGNAL HEADS:**
- RTS 002 PRIMARY
 - RTS 002 PRIMARY x2
 - RTS 002 SECONDARY
 - RTS 002 PRIMARY
 - RTS 002 SECONDARY
 - RTS 002 PRIMARY
 - RTS 002 SECONDARY
 - RTS 003 PRIMARY
 - RTS 003 SECONDARY
 - RTS 003 PRIMARY
 - RTS 003 SECONDARY
 - RTS 007 (LOW LEVEL) PRIMARY
 - RPC 004 PEDESTRIAN HEAD
- TRAFFIC SIGNAL EQUIPMENT:**
- POLE (STANDARD HEIGHT)
 - SMALL POLE
 - TALL POLE (TRAFFIC SIGNALS)
 - MAST ARM (VARIABLE LENGTH)
 - TALL POLE (CCTV/TRAFFIC SIGNALS)
 - POLE NUMBER
 - PUSH BUTTON UNIT
 - PAN / TILT / ZOOM CCTV CAMERA
- GENERAL:**
- SITE BOUNDARY LINE
 - TEMPORARY LAND ACQUISITION



Disclaimer

a. © National Transport Authority (NTA) 2022. This drawing is confidential and the copyright in it is owned by NTA. This drawing must not be either loaned, copied or otherwise reproduced in whole or in part or used for any purpose without the prior permission of NTA.

b. This drawing is to be used for the design element identified in the titleblock. Other information shown is to be considered indicative only. The drawing is to be read in conjunction with all other relevant design drawings.

c. O.S. data used for plans are printed under © Ordnance Survey Ireland Government of Ireland. All rights reserved. Licence Number 2022/OSI_NMA_180 National Transport Authority. All elevations are in metres and relate to OSi Geoid Model (OSGM15) Mean Head. All Co-ordinates are in Irish Transverse Mercator Grid (ITM) as defined by OSi active local GPS station.

d. Information concerning the position of apparatus shown on this drawing is based on drawings supplied by the utility owners and/or the utility works contractor, whilst every care has been taken as appropriate and are intended for general guidance only and no representation is made by the NTA as to the accuracy, completeness, sufficiency or otherwise of this drawing and the position of the apparatus. The information contained herein does not purport to be comprehensive or final as the apparatus is subject to being altered and/or superceded. Recipients should not rely on this information. Any liabilities are hereby expressly disclaimed.

e. The information contained herein has been provided by the NTA but does not purport to be comprehensive or final. Recipients should not rely on the information. Neither the NTA nor any of its directors, officers, employees, agents, stakeholders or advisers make any representation or warranty as to, or accept any liability or responsibility in relation to, the adequacy, accuracy, reasonableness or completeness of the information provided as part of this document or any matter on which the information is based (including but not limited to loss or damage arising as a result of reliance by recipients on the information or any part of it). Any liabilities are hereby expressly disclaimed.

Rev	Date	Dm	Chk'd	App'd	Description
M01	08/05/2023	RB	RH	RS	ISSUE FOR PHASE 4: PLANNING

Client: **NTA**
 Ódarás Náisiúnta Iompair
 National Transport Authority

Engineering Designer: **Jacobs**

Date	Scale	Drawn	Checked	Approved
08/05/2023	1:250 @ A1 1:500 @ A3	RB	RH	RS

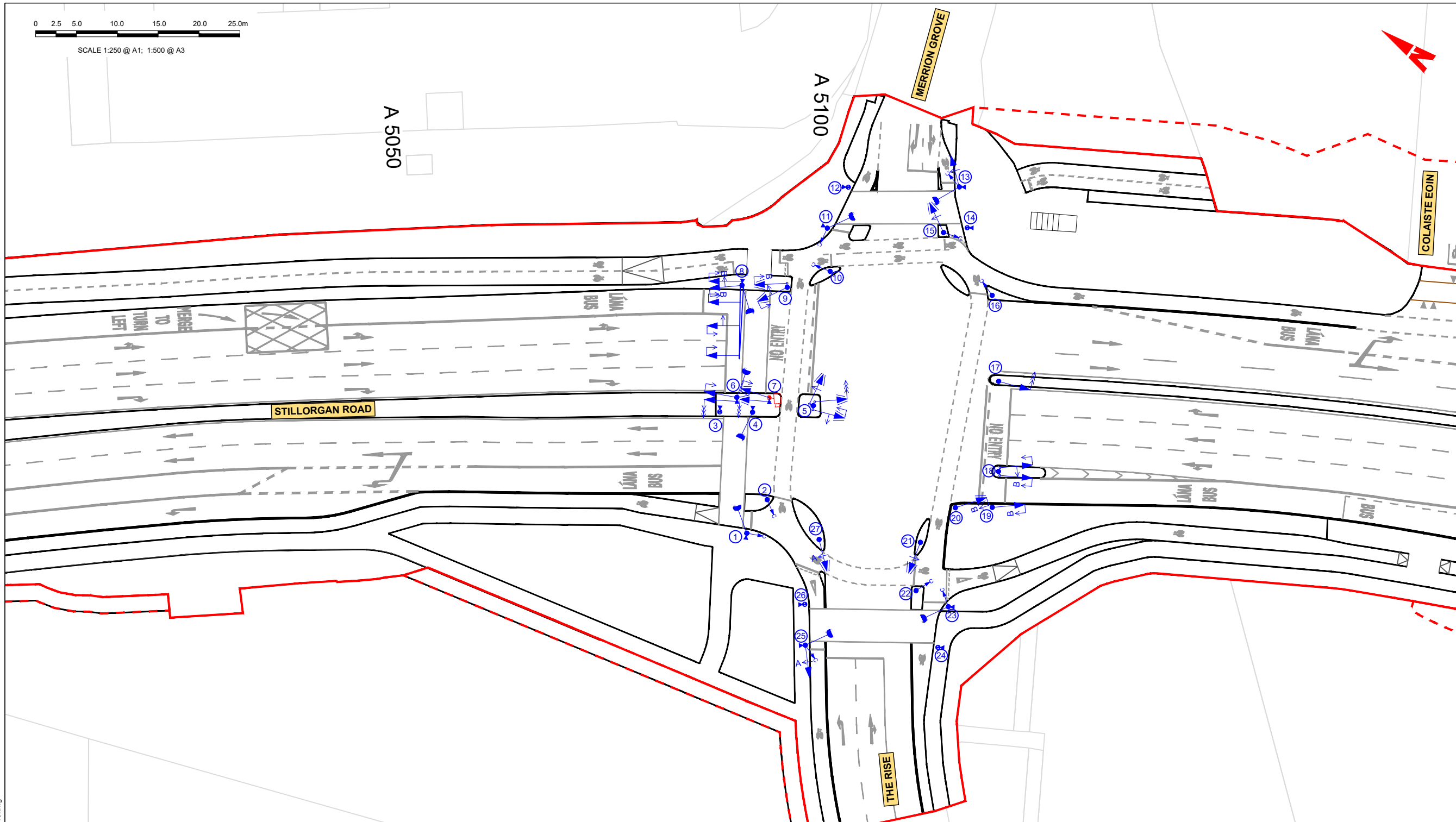
Project Code: BCIDB Originator Code: JAC QMS Code:

Programme Title BUSCONNECTS DUBLIN			
Drawing Title CORE BUS CORRIDORS INFRASTRUCTURE WORKS			
Drawing File Name BCIDB-JAC-TSM_SJ-0013_XX_00-DR-TR-0026			
Sheet Number 26 of 60	Status A	Rev M01	

DO NOT SCALE USE FIGURED DIMENSIONS ONLY

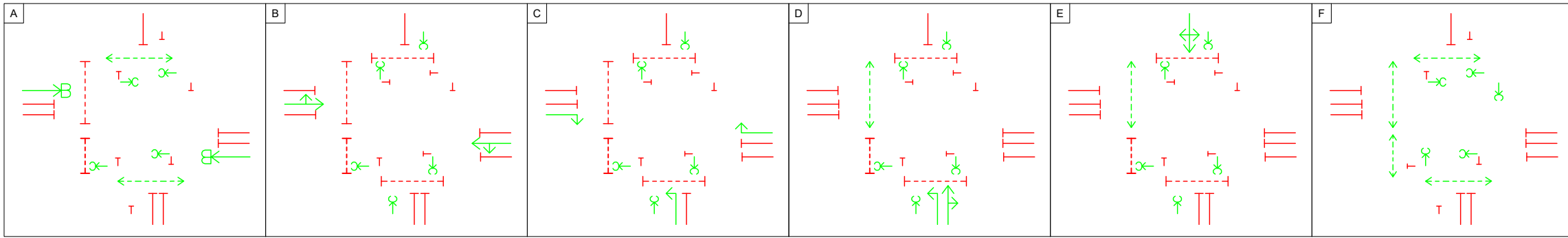
C:\pwworking\jacobs_uk_highways_asd\legintl_bov\2d\148470\BCIDB-JAC-TSM_SJ-0013_XX_00-DR-TR-0016.dwg

0 2.5 5.0 10.0 15.0 20.0 25.0m
SCALE 1:250 @ A1; 1:500 @ A3



- LEGEND:**
- TRAFFIC SIGNAL HEADS:**
- RTS 001 PRIMARY
 - RTS 001 SECONDARY
 - RTS 002 PRIMARY
 - RTS 002 SECONDARY
 - RTS 002 PRIMARY
 - RTS 002 SECONDARY
 - RTS 002 PRIMARY
 - RTS 002 SECONDARY
 - RTS 002 PRIMARY
 - RTS 002 SECONDARY
 - RTS 003 PRIMARY
 - RTS 003 SECONDARY
 - RTS 003 PRIMARY
 - RTS 003 SECONDARY
 - RTS 003 PRIMARY
 - RTS 003 SECONDARY
 - RTS 003 PRIMARY
 - RTS 003 SECONDARY
 - RTS 007 (LOW LEVEL) PRIMARY
 - RPC 004 PEDESTRIAN HEAD
- TRAFFIC SIGNAL EQUIPMENT:**
- POLE (STANDARD HEIGHT)
 - SMALL POLE
 - TALL POLE (TRAFFIC SIGNALS)
 - MAST ARM (VARIABLE LENGTH)
 - TALL POLE (CCTV/TRAFFIC SIGNALS)
 - POLE NUMBER
 - PUSH BUTTON UNIT
 - PAN / TILT / ZOOM CCTV CAMERA
- GENERAL:**
- SITE BOUNDARY LINE
 - TEMPORARY LAND ACQUISITION

INDICATIVE METHOD OF CONTROL



Disclaimer

a. © National Transport Authority (NTA) 2022. This drawing is confidential and the copyright in it is owned by NTA. This drawing must not be either loaned, copied or otherwise reproduced in whole or in part or used for any purpose without the prior permission of NTA.

b. This drawing is to be used for the design element identified in the titleblock. Other information shown is to be considered indicative only. The drawing is to be read in conjunction with all other relevant design drawings.

c. O.S. data used for plans are printed under © Ordnance Survey Ireland Government of Ireland. All rights reserved. Licence Number 2022/OSI_NMA_160 National Transport Authority. All elevations are in metres and relate to OSi Geoid Model (OSGM15) Mean Head. All Co-ordinates are in Irish Transverse Mercator Grid (ITM) as defined by OSi active local GPS station.

d. Information concerning the position of apparatus shown on this drawing is based on drawings supplied by the utility owners and/or the utility works contractor, whilst every care has been taken as appropriate and are intended for general guidance only and no representation is made by the NTA as to the accuracy, completeness, sufficiency or otherwise of this information. The information contained herein does not purport to be comprehensive or final as the apparatus is subject to being altered and/or superseded. Recipients should not rely on this information. Any liabilities are hereby expressly disclaimed.

e. The information contained herein has been provided by the NTA but does not purport to be comprehensive or final. Recipients should not rely on the information. Neither the NTA nor any of its directors, officers, employees, agents, stakeholders or advisers make any representation or warranty as to, or accept any liability or responsibility in relation to, the adequacy, accuracy, reasonableness or completeness of the information provided as part of this document or any matter on which the information is based (including but not limited to loss or damage arising as a result of reliance by recipients on the information or any part of it). Any liabilities are hereby expressly disclaimed.



Rev	Date	Dm	Chk'd	App'd	Description
M01	08/05/2023	RB	RH	RS	ISSUE FOR PHASE 4: PLANNING

Client: **NTA**
Údarás Náisiúnta Iompair
National Transport Authority

Engineering Designer: **Jacobs**

Date	Scale	Drawn	Checked	Approved
08/05/2023	1:250 @ A1 1:500 @ A3	RB	RH	RS

Project Code: BCIDB | Originator Code: JAC | QMS Code:

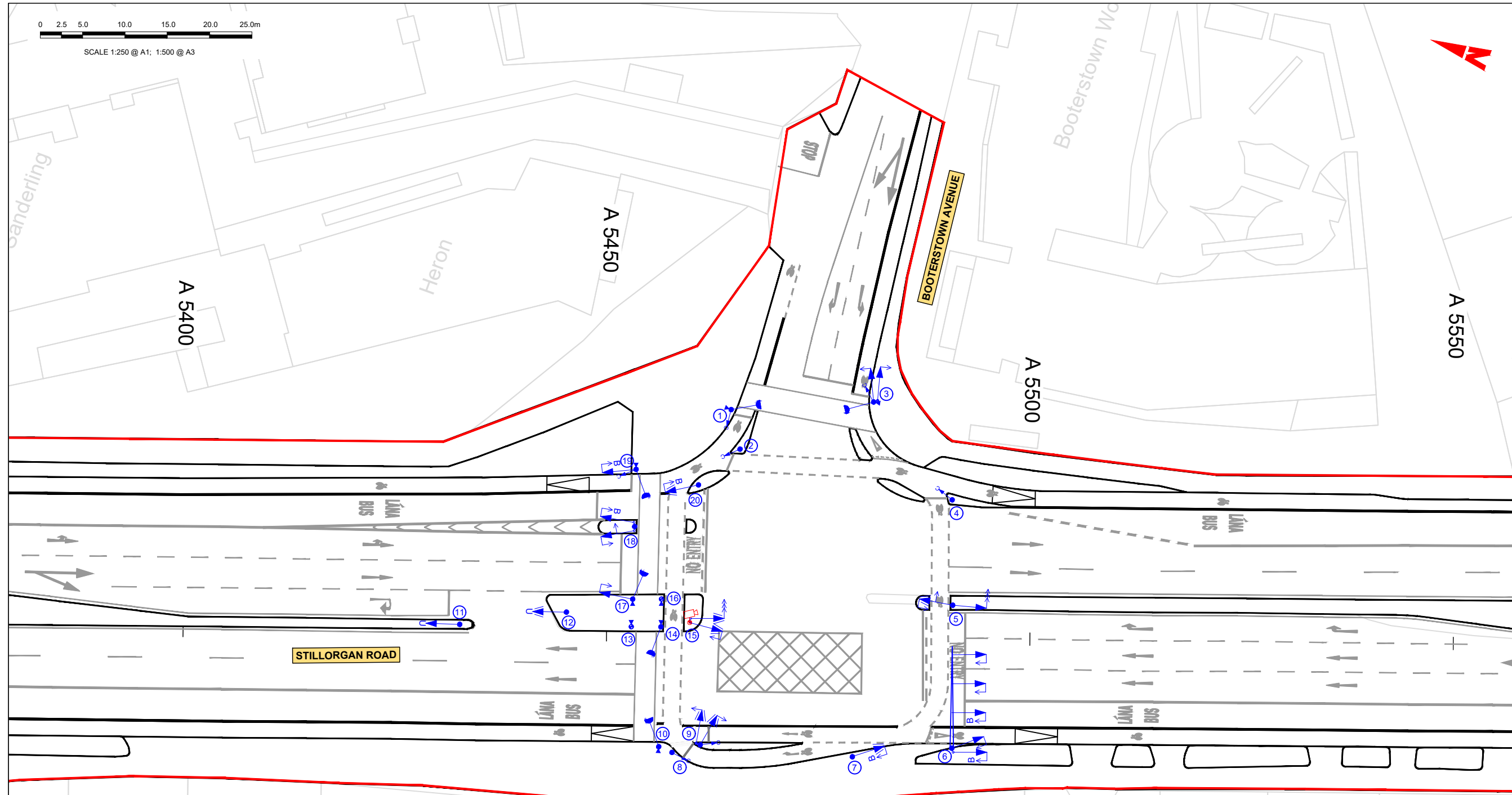
Programme Title BUSCONNECTS DUBLIN CORE BUS CORRIDORS INFRASTRUCTURE WORKS			
Drawing Title BRAY TO CITY CENTRE CORE BUS CORRIDOR SCHEME JUNCTION SYSTEMS DESIGN STILLORGAN ROAD / BELFIELD PARK			
Drawing File Name BCIDB-JAC-TSM_SJ-0013_XX_00-DR-TR-0027	Sheet Number 27 of 60	Status A	Rev M01

DO NOT SCALE USE FIGURED DIMENSIONS ONLY

C:\pwworking\jacobs_uk_highways_asd\legintl_bayard2\0148470\BCIDB-JAC-TSM_SJ-0013_XX_00-DR-TR-0016.dwg

0 2.5 5.0 10.0 15.0 20.0 25.0m

SCALE 1:250 @ A1; 1:500 @ A3



LEGEND:

TRAFFIC SIGNAL HEADS:

- RTS 002 PRIMARY
- RTS 002 SECONDARY
- RTS 003 SECONDARY
- RTS 003 PRIMARY
- RTS 007 (LOW LEVEL) PRIMARY
- RPC 004 PEDESTRIAN HEAD

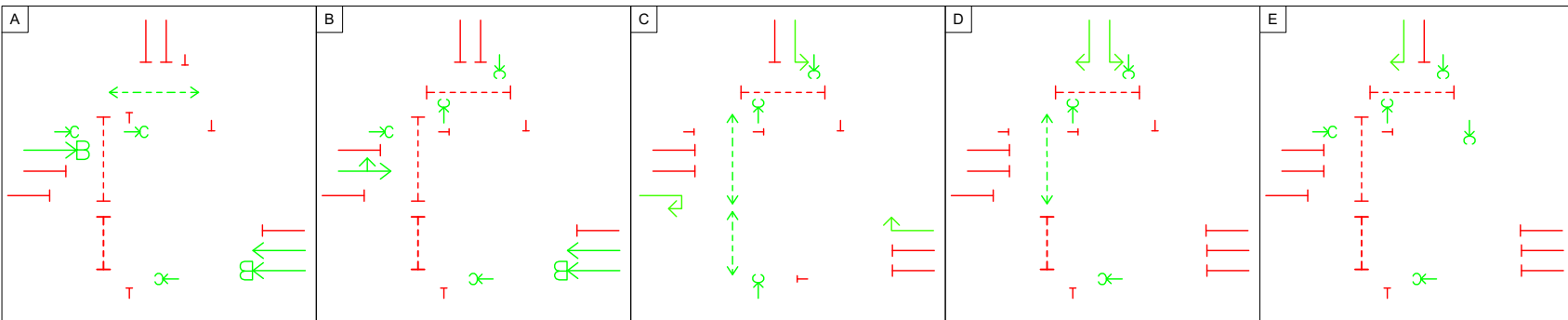
TRAFFIC SIGNAL EQUIPMENT:

- POLE (STANDARD HEIGHT)
- SMALL POLE
- TALL POLE (TRAFFIC SIGNALS)
- MAST ARM (VARIABLE LENGTH)
- TALL POLE (CCTV/TRAFFIC SIGNALS)
- POLE NUMBER
- PUSH BUTTON UNIT
- PAN / TILT / ZOOM CCTV CAMERA

GENERAL:

- SITE BOUNDARY LINE
- TEMPORARY LAND ACQUISITION

INDICATIVE METHOD OF CONTROL



Disclaimer

a. © National Transport Authority (NTA) 2022. This drawing is confidential and the copyright in it is owned by NTA. This drawing must not be either loaned, copied or otherwise reproduced in whole or in part or used for any purpose without the prior permission of NTA.

b. This drawing is to be used for the design element identified in the titleblock. Other information shown is to be considered indicative only. The drawing is to be read in conjunction with all other relevant design drawings.

c. O.S. data used for plans are printed under © Ordnance Survey Ireland Government of Ireland. All rights reserved. Licence Number 2022/O.S./NMA_180 National Transport Authority. All elevations are in metres and relate to O.S. Geoid Model (OSGM15) Mean Head. All Co-ordinates are in Irish Transverse Mercator Grid (ITM) as defined by OSI active local GPS station.

d. Information concerning the position of apparatus shown on this drawing is based on drawings supplied by the utility owners and/or the utility works contractor, whilst every care has been taken in the preparation of this drawing, positions should be taken as appropriate and are intended for general guidance only and no representation is made by the NTA as to the accuracy, completeness, sufficiency or otherwise of this drawing and the position of the apparatus. The information contained herein does not purport to be comprehensive or final as the apparatus is subject to being altered and/or superseded. Recipients should not rely on this information. Any liabilities are hereby expressly disclaimed.

e. The information contained herein has been provided by the NTA but does not purport to be comprehensive or final. Recipients should not rely on the information. Neither the NTA nor any of its directors, officers, employees, agents, stakeholders or advisers make any representation or warranty as to, or accept any liability or responsibility in relation to, the adequacy, accuracy, reasonableness or completeness of the information provided as part of this document or any matter on which the information is based (including but not limited to loss or damage arising as a result of reliance by recipients on the information or any part of it). Any liabilities are hereby expressly disclaimed.



Rev	Date	Dm	Chk'd	App'd	Description
M01	08/05/2023	RB	RH	RS	ISSUE FOR PHASE 4: PLANNING

Client: **NTA**
Údarás Náisiúnta Iompair
National Transport Authority

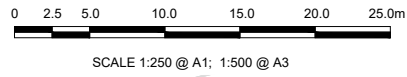
Engineering Designer: **Jacobs**

Date	Scale	Drawn	Checked	Approved
08/05/2023	1:250 @ A1 1:500 @ A3	RB	RH	RS
Project Code	Originator Code	QMS Code		
BCIDB	JAC			

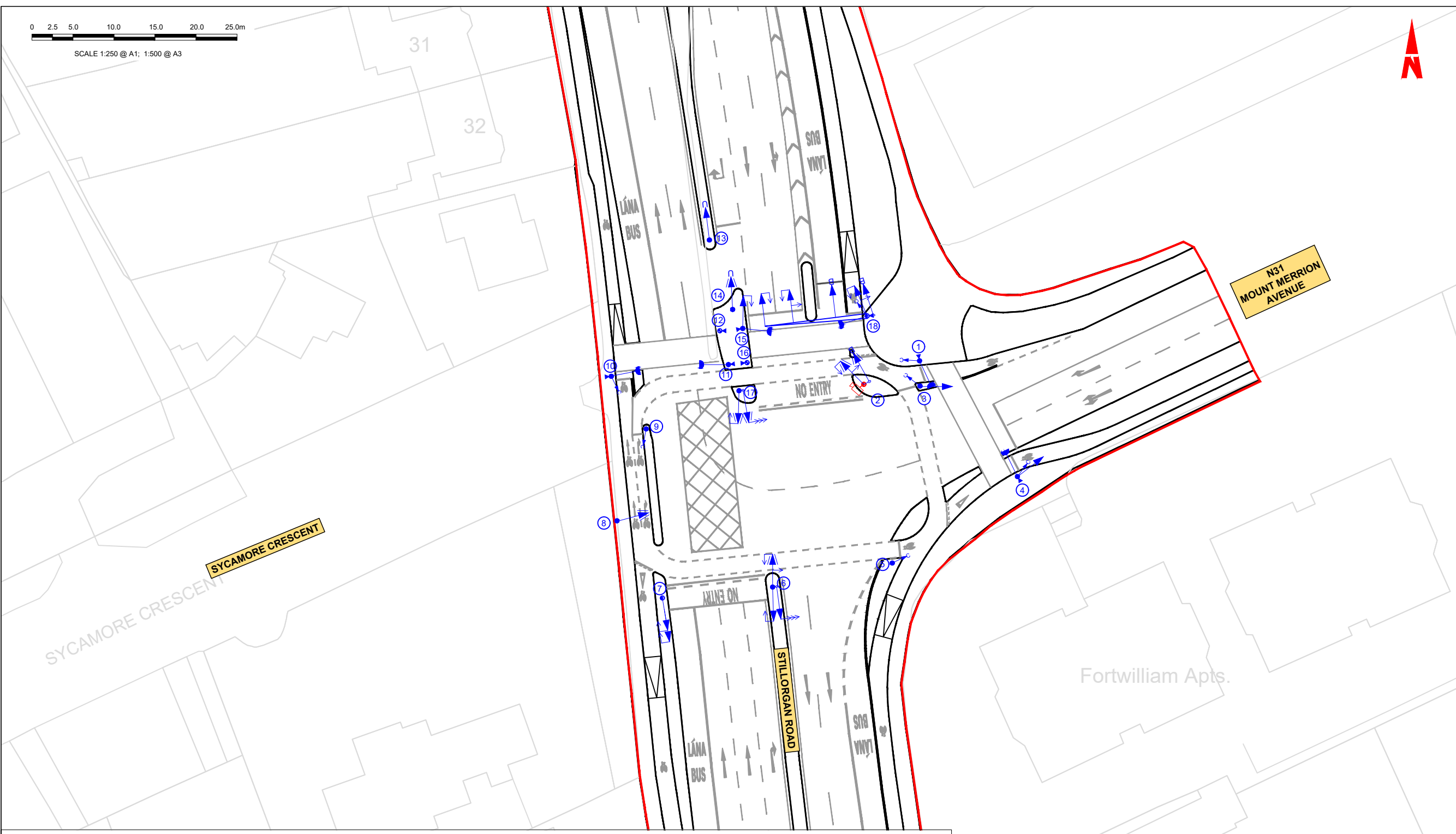
Programme Title BUSCONNECTS DUBLIN CORE BUS CORRIDORS INFRASTRUCTURE WORKS			
Drawing Title BRAY TO CITY CENTRE CORE BUS CORRIDOR SCHEME JUNCTION SYSTEMS DESIGN N11 STILLORGAN ROAD / BOOTERSTOWN AVENUE			
Drawing File Name BCIDB-JAC-TSM_SJ_-0013_XX_00-DR-TR-0028	Sheet Number 28 of 60	Status A	Rev M01

DO NOT SCALE USE FIGURED DIMENSIONS ONLY

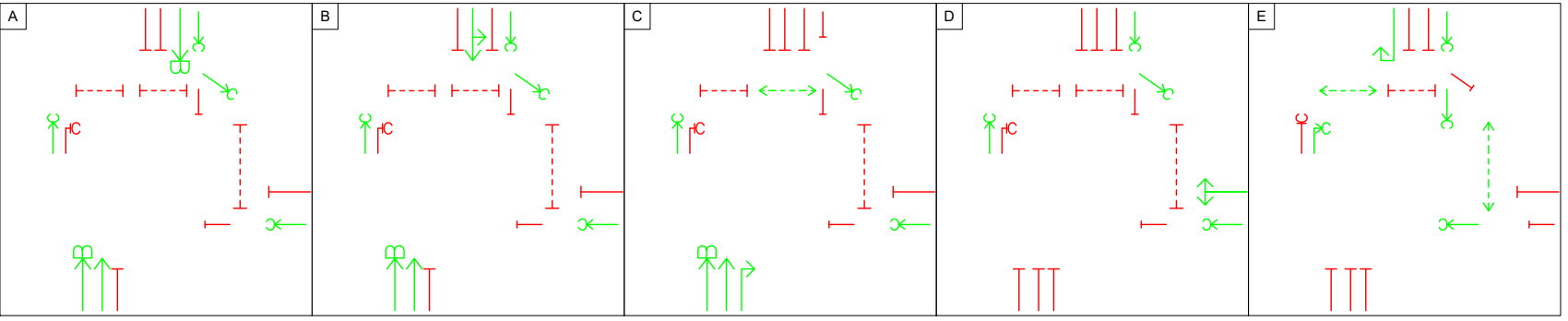
C:\pwworking\jacobs_uk_highways_ssd\legintl_bayd2d\0148470\BCIDB-JAC-TSM_SJ_-0013_XX_00-DR-TR-0016.dwg



- LEGEND:**
- TRAFFIC SIGNAL HEADS:**
- RTS 001 PRIMARY
 - RTS 001 SECONDARY
 - RTS 002 PRIMARY
 - RTS 002 SECONDARY
 - RTS 002 PRIMARY
 - RTS 002 PRIMARY x2
 - RTS 002 SECONDARY
 - RTS 002 PRIMARY
 - RTS 002 SECONDARY
 - RTS 002 PRIMARY
 - RTS 002 SECONDARY
 - RTS 002 PRIMARY
 - RTS 002 SECONDARY
 - RTS 002 PRIMARY
 - RTS 002 SECONDARY
 - RTS 003 PRIMARY
 - RTS 003 SECONDARY
 - RTS 007 (LOW LEVEL) PRIMARY
 - RPC 004 PEDESTRIAN HEAD
- TRAFFIC SIGNAL EQUIPMENT:**
- POLE (STANDARD HEIGHT)
 - MAST ARM (VARIABLE LENGTH)
 - TALL POLE (CCTV/TRAFFIC SIGNALS)
 - POLE NUMBER
 - PUSH BUTTON UNIT
 - PAN / TILT / ZOOM CCTV CAMERA
- GENERAL:**
- SITE BOUNDARY LINE
 - TEMPORARY LAND ACQUISITION



INDICATIVE METHOD OF CONTROL



Disclaimer

a. © National Transport Authority (NTA) 2022. This drawing is confidential and the copyright in it is owned by NTA. This drawing must not be either loaned, copied or otherwise reproduced in whole or in part for use for any purpose without the prior permission of NTA.

b. This drawing is to be used for the design element identified in the titleblock. Other information shown is to be considered indicative only. The drawing is to be read in conjunction with all other relevant design drawings.

c. O.S. data used for plans are printed under © Ordnance Survey Ireland Government of Ireland. All rights reserved. Licence Number 2022/OSI_NMA_180 National Transport Authority. All elevations are in metres and relate to OSi Geoid Model (OSGM15) Mean Head. All Co-ordinates are in Irish Transverse Mercator Grid (ITM) as defined by OSi active local GPS station.

d. Information concerning the position of apparatus shown on this drawing is based on drawings supplied by the utility owners and/or the utility works contractor, whilst every care has been taken in the preparation of this drawing, positions should be taken as appropriate and are intended for general guidance only and no representation is made by the NTA as to the accuracy, completeness, sufficiency or otherwise of this drawing and the position of the apparatus. The information contained herein does not purport to be comprehensive or final as the apparatus is subject to being altered and/or superseded. Recipients should not rely on this information. Any liabilities are hereby expressly disclaimed.

e. The information contained herein has been provided by the NTA but does not purport to be comprehensive or final. Recipients should not rely on the information. Neither the NTA nor any of its directors, officers, employees, agents, stakeholders or advisers make any representation or warranty as to, or accept any liability or responsibility in relation to, the adequacy, accuracy, reasonableness or completeness of the information provided as part of this document or any matter on which the information is based (including but not limited to loss or damage arising as a result of reliance by recipients on the information or any part of it). Any liabilities are hereby expressly disclaimed.



Rev	Date	Dm	Chk'd	App'd	Description
M01	08/05/2023	RB	RH	RS	ISSUE FOR PHASE 4: PLANNING

Client: **NTA**
Údarás Náisiúnta Iompair
National Transport Authority

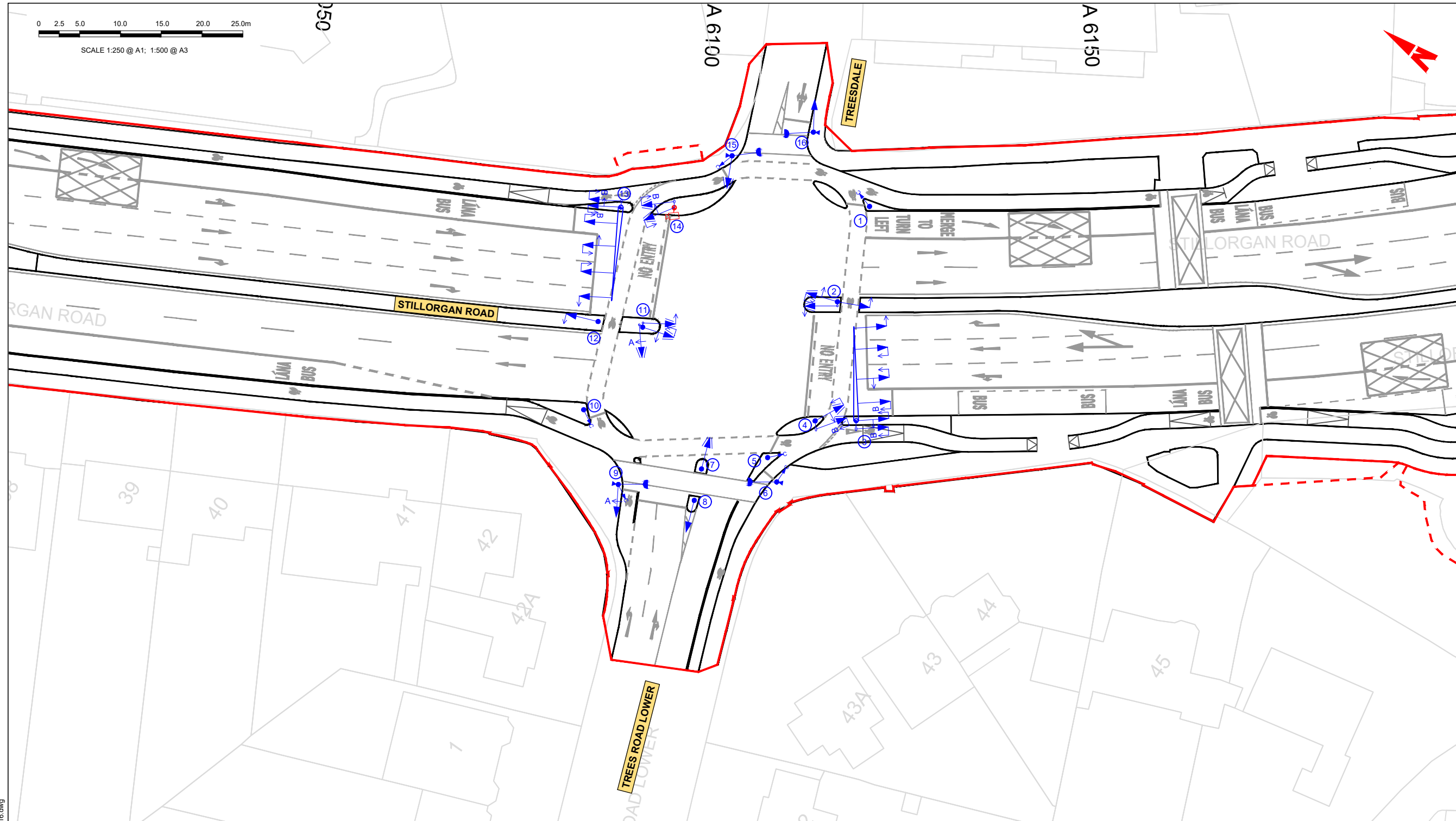
Engineering Designer: **Jacobs**

Date	Scale	Drawn	Checked	Approved
08/05/2023	1:250 @ A1 1:500 @ A3	RB	RH	RS
Project Code	Originator Code	QMS Code		
BCIDB	JAC			

Programme Title BUSCONNECTS DUBLIN CORE BUS CORRIDORS INFRASTRUCTURE WORKS				
Drawing Title BRAY TO CITY CENTRE CORE BUS CORRIDOR SCHEME JUNCTION SYSTEMS DESIGN N11 STILLORGAN ROAD / MOUNT MERRION				
Drawing File Name	Sheet Number	Status	Rev	
BCIDB-JAC-TSM_SJ-0013_XX_00-DR-TR-0029	29 of 60	A	M01	

DO NOT SCALE USE FIGURED DIMENSIONS ONLY

C:\pwworking\jacobs_uk_highways_asd\legintl_bov\2023\08\05\0013_XX_00-DR-TR-0016.dwg



LEGEND:

TRAFFIC SIGNAL HEADS:

- RTS 001 PRIMARY
- RTS 001 SECONDARY
- RTS 002 PRIMARY
- RTS 002 SECONDARY
- RTS 002 PRIMARY
- RTS 002 PRIMARY
- RTS 003 SECONDARY
- RTS 003 PRIMARY
- RTS 003 SECONDARY
- RTS 003 PRIMARY
- RTS 003 SECONDARY
- RTS 007 (LOW LEVEL) PRIMARY
- RPC 004 PEDESTRIAN HEAD

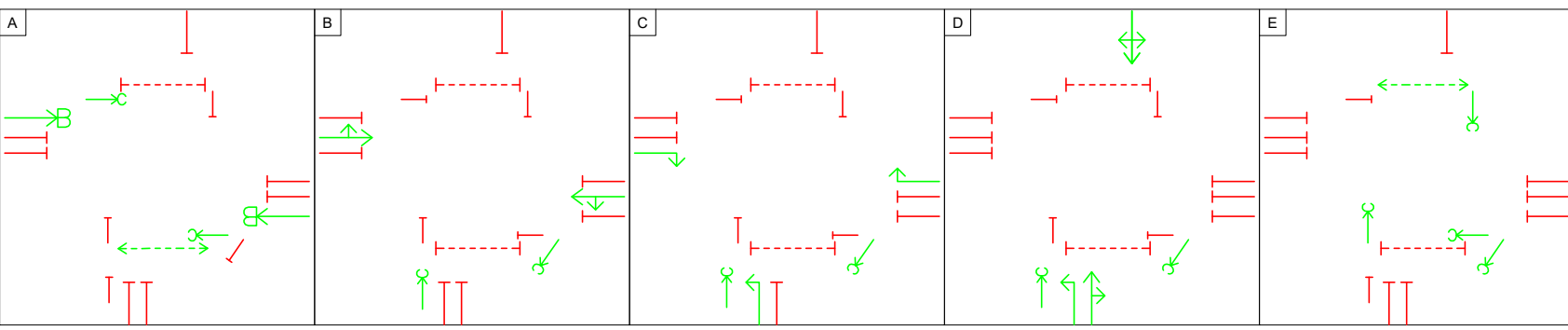
TRAFFIC SIGNAL EQUIPMENT:

- POLE (STANDARD HEIGHT)
- MAST ARM (VARIABLE LENGTH)
- TALL POLE (CCTV/TRAFFIC SIGNALS)
- POLE NUMBER
- PUSH BUTTON UNIT
- PAN / TILT / ZOOM CCTV CAMERA

GENERAL:

- SITE BOUNDARY LINE
- TEMPORARY LAND ACQUISITION

INDICATIVE METHOD OF CONTROL



Disclaimer

a. © National Transport Authority (NTA) 2022. This drawing is confidential and the copyright in it is owned by NTA. This drawing must not be either loaned, copied or otherwise reproduced in whole or in part or used for any purpose without the prior permission of NTA.

b. This drawing is to be used for the design element identified in the titleblock. Other information shown is to be considered indicative only. The drawing is to be read in conjunction with all other relevant design drawings.

c. O.S. data used for plans are printed under © Ordnance Survey Ireland Government of Ireland. All rights reserved. Licence Number 2022/OSI_NMA_180 National Transport Authority. All elevations are in metres and relate to OSI Geoid Model (OSGM15) Mean Head. All Co-ordinates are in Irish Transverse Mercator Grid (ITM) as defined by OSI active local GPS station.

d. Information concerning the position of apparatus shown on this drawing is based on drawings supplied by the utility owners and/or the utility works contractor, whilst every care has been taken in the preparation of this drawing, positions should be taken as approximate and are intended for general guidance only and no representation is made by the NTA as to the accuracy, completeness, sufficiency or otherwise of this drawing and the position of the apparatus. The information contained herein does not purport to be comprehensive or final as the apparatus is subject to being altered and/or superseded. Recipients should not rely on this information. Any liabilities are hereby expressly disclaimed.

e. The information contained herein has been provided by the NTA but does not purport to be comprehensive or final. Recipients should not rely on the information. Neither the NTA nor any of its directors, officers, employees, agents, stakeholders or advisers make any representation or warranty as to, or accept any liability or responsibility in relation to, the adequacy, accuracy, reasonableness or completeness of the information provided as part of this document or any matter on which the information is based (including but not limited to loss or damage arising as a result of reliance by recipients on the information or any part of it). Any liabilities are hereby expressly disclaimed.



Rev	Date	Drn	Chk'd	App'd	Description
M01	08/05/2023	RB	RH	RS	ISSUE FOR PHASE 4: PLANNING

Client: **NTA**
Údarás Náisiúnta Iompair
National Transport Authority

Engineering Designer: **Jacobs**

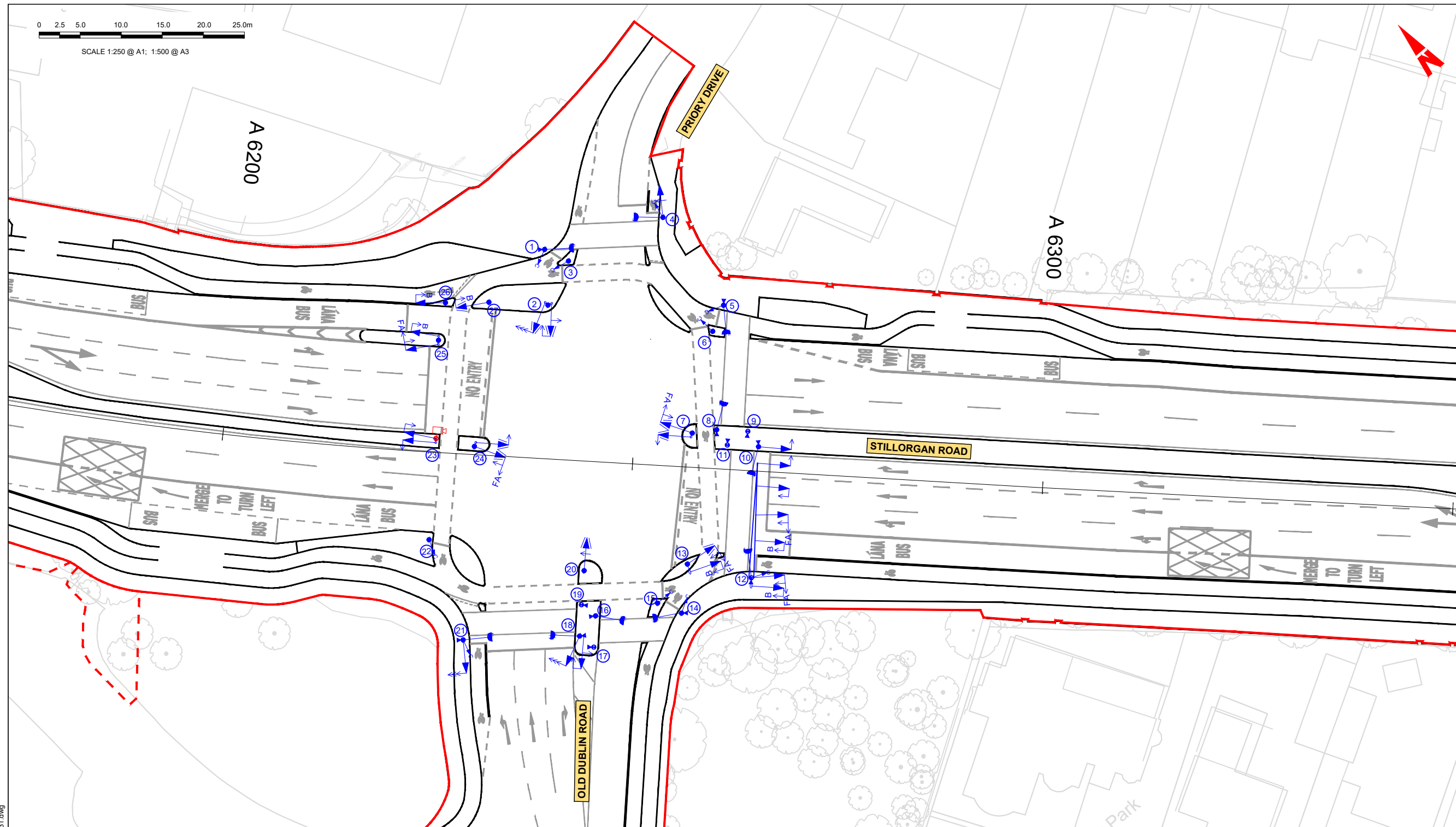
Date	Scale	Drawn	Checked	Approved
08/05/2023	1:250 @ A1 1:500 @ A3	RB	RH	RS
Project Code	Originator Code	QMS Code		
BCIDB	JAC			

Programme Title BUSCONNECTS DUBLIN CORE BUS CORRIDORS INFRASTRUCTURE WORKS				
Drawing Title BRAY TO CITY CENTRE CORE BUS CORRIDOR SCHEME JUNCTION SYSTEMS DESIGN N11 STILLORGAN ROAD / TREESDALE				
Drawing File Name	Sheet Number	Status	Rev	
BCIDB-JAC-TSM_SJ-0013_XX_00-DR-TR-0030	30 of 60	A	M01	

DO NOT SCALE USE FIGURED DIMENSIONS ONLY

C:\pwworking\jacobs_uk_highways_asd\legintl_bayard\148470\BCIDB-JAC-TSM_SJ-0013_XX_00-DR-TR-0016.dwg

0 2.5 5.0 10.0 15.0 20.0 25.0m
SCALE 1:250 @ A1; 1:500 @ A3



LEGEND:

TRAFFIC SIGNAL HEADS:

- RTS 002 PRIMARY
- RTS 002 SECONDARY
- RTS 003 PRIMARY
- RTS 003 SECONDARY
- RTS 007 (LOW LEVEL) PRIMARY
- RPC 004 PEDESTRIAN HEAD

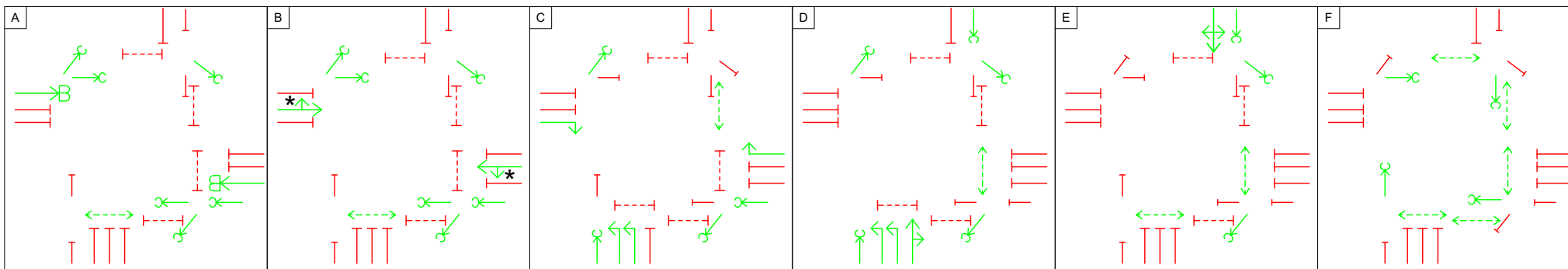
TRAFFIC SIGNAL EQUIPMENT:

- POLE (STANDARD HEIGHT)
- MAST ARM (VARIABLE LENGTH)
- TALL POLE (CCTV/TRAFFIC SIGNALS)
- POLE NUMBER
- PUSH BUTTON UNIT
- PAN / TILT / ZOOM CCTV CAMERA

GENERAL:

- SITE BOUNDARY LINE
- TEMPORARY LAND ACQUISITION

INDICATIVE METHOD OF CONTROL



* DENOTES FLASHING AMBER

Disclaimer

a. © National Transport Authority (NTA) 2022. This drawing is confidential and the copyright in it is owned by NTA. This drawing must not be either loaned, copied or otherwise reproduced in whole or in part for use for any purpose without the prior permission of NTA.

b. This drawing is to be used for the design element identified in the titleblock. Other information shown is to be considered indicative only. The drawing is to be read in conjunction with all other relevant design drawings.

c. O.S. data used for plans are printed under © Ordnance Survey Ireland Government of Ireland. All rights reserved. Licence Number 2022/OSI_NMA_180 National Transport Authority. All elevations are in metres and relate to OSI Geoid Model (OSGM15) Mean Head. All Co-ordinates are in Irish Transverse Mercator Grid (ITM) as defined by OSI active local GPS station.

d. Information concerning the position of apparatus shown on this drawing is based on drawings supplied by the utility owners and/or the utility works contractor, whilst every care has been taken as appropriate and are intended for general guidance only and no representation is made by the NTA as to the accuracy, completeness, sufficiency or otherwise of this drawing and the position of the apparatus. The information contained herein does not purport to be comprehensive or final as the apparatus is subject to being altered and/or superseded. Recipients should not rely on this information. Any liabilities are hereby expressly disclaimed.

e. The information contained herein has been provided by the NTA but does not purport to be comprehensive or final. Recipients should not rely on the information. Neither the NTA nor any of its directors, officers, employees, agents, stakeholders or advisers make any representation or warranty as to, or accept any liability or responsibility in relation to, the adequacy, accuracy, reasonableness or completeness of the information provided as part of this document or any matter on which the information is based (including but not limited to loss or damage arising as a result of reliance by recipients on the information or any part of it). Any liabilities are hereby expressly disclaimed.



Rev	Date	Dm	Chk'd	App'd	Description
M01	08/05/2023	RB	RH	RS	ISSUE FOR PHASE 4: PLANNING

Client: **NTA** (Údarás Náisiúnta Iompair National Transport Authority)

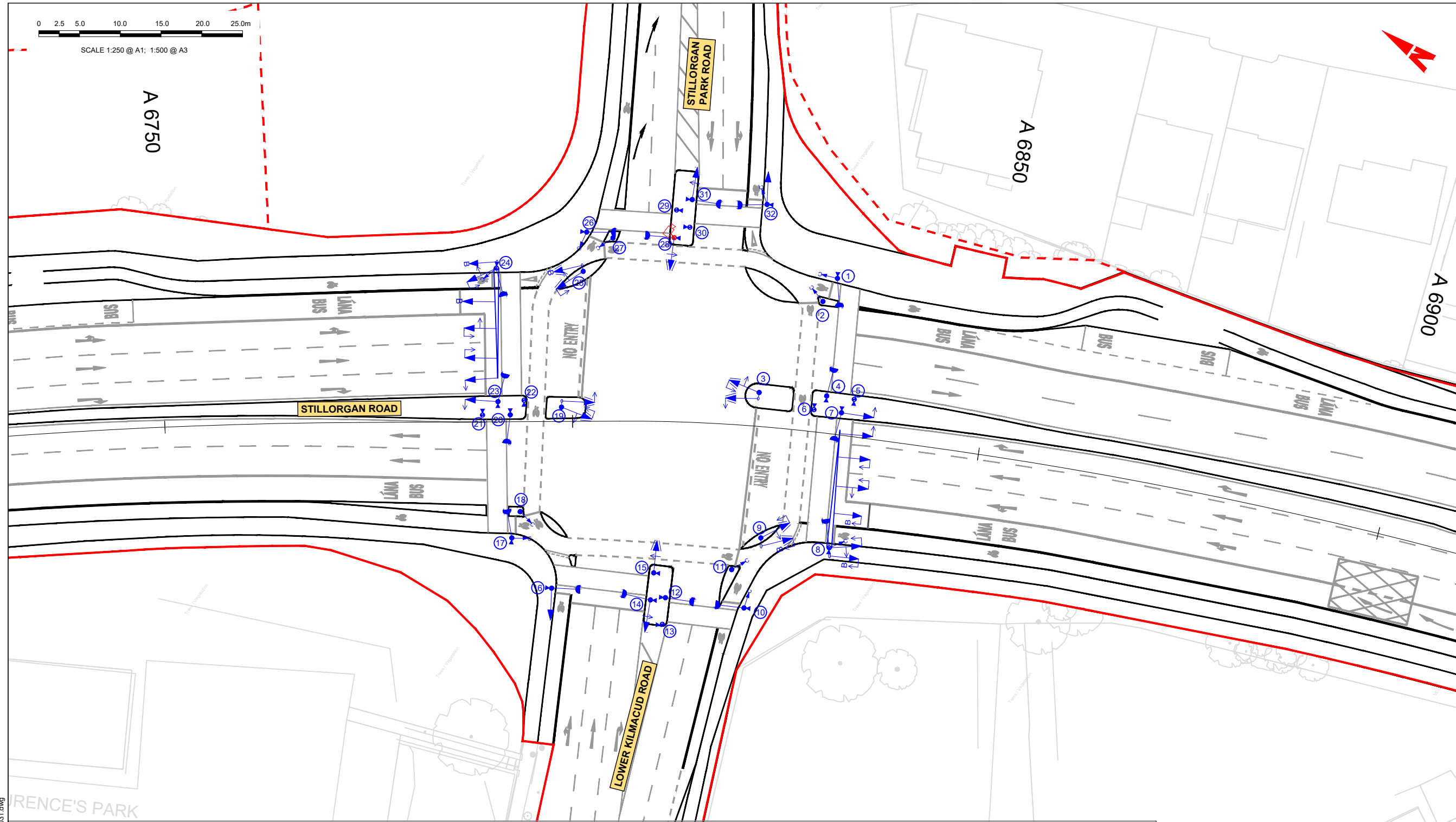
Engineering Designer: **Jacobs**

Date	Scale	Drawn	Checked	Approved
08/05/2023	1:250 @ A1 1:500 @ A3	RB	RH	RS
Project Code	Originator Code	QMS Code		
BCIDB	JAC			

Programme Title			
BUSCONNECTS DUBLIN			
CORE BUS CORRIDORS INFRASTRUCTURE WORKS			
Drawing Title			
BRAY TO CITY CENTRE CORE BUS CORRIDOR SCHEME			
JUNCTION SYSTEMS DESIGN			
N11 STILLORGAN ROAD / PRIORITY DRIVE			
Drawing File Name	Sheet Number	Status	Rev
BCIDB-JAC-TSM_SJ-0013_XX_00-DR-TR-0031	31 of 60	A	M01

DO NOT SCALE USE FIGURED DIMENSIONS ONLY

C:\pwworking\jacobs_uk_highways_asd\legintl_bayd2d\148470\BCIDB-JAC-TSM_SJ-0013_XX_00-DR-TR-0031.dwg



LEGEND:

TRAFFIC SIGNAL HEADS:

- RTS 001 PRIMARY
- RTS 001 SECONDARY
- RTS 002 PRIMARY
- RTS 002 SECONDARY
- RTS 002 PRIMARY
- RTS 002 SECONDARY
- RTS 002 PRIMARY
- RTS 002 SECONDARY
- RTS 003 PRIMARY
- RTS 003 SECONDARY
- RTS 003 PRIMARY
- RTS 003 SECONDARY
- RTS 007 (LOW LEVEL) PRIMARY
- RPC 004 PEDESTRIAN HEAD

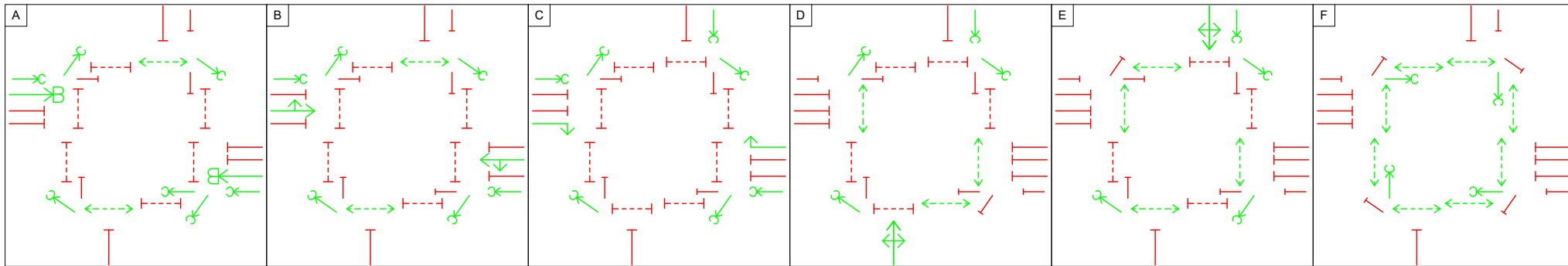
TRAFFIC SIGNAL EQUIPMENT:

- POLE (STANDARD HEIGHT)
- MAST ARM (VARIABLE LENGTH)
- TALL POLE (CCTV/TRAFFIC SIGNALS)
- POLE NUMBER
- PUSH BUTTON UNIT
- PAN / TILT / ZOOM CCTV CAMERA

GENERAL:

- SITE BOUNDARY LINE
- TEMPORARY LAND ACQUISITION

INDICATIVE METHOD OF CONTROL



C:\pwworking\jacobs_uk_highways_asd\legintl_bov\dr2\0148470\BCIDB-JAC-TSM_SJ-0013_XX_00-DR-TR-0031.dwg

Disclaimer

a. © National Transport Authority (NTA) 2022. This drawing is confidential and the copyright in it is owned by NTA. This drawing must not be either loaned, copied or otherwise reproduced in whole or in part or used for any purpose without the prior permission of NTA.

b. This drawing is to be used for the design element identified in the titleblock. Other information shown is to be considered indicative only. The drawing is to be read in conjunction with all other relevant design drawings.

c. O.S. data used for plans are printed under © Ordnance Survey Ireland Government of Ireland. All rights reserved. Licence Number 2022/OSI_NMA_160 National Transport Authority. All elevations are in metres and relate to OSi Geoid Model (OSGM15) Mean Head. All Co-ordinates are in Irish Transverse Mercator Grid (ITM) as defined by OSi active local GPS station.

d. Information concerning the position of apparatus shown on this drawing is based on drawings supplied by the utility owners and/or the utility works contractor, whilst every care has been taken in the preparation of this drawing, positions should be taken as appropriate and are intended for general guidance only and no representation is made by the NTA as to the accuracy, completeness, sufficiency or otherwise of this information. The information contained herein does not purport to be comprehensive or final as the apparatus is subject to being altered and/or superseded. Recipients should not rely on this information. Any liabilities are hereby expressly disclaimed.

e. The information contained herein has been provided by the NTA but does not purport to be comprehensive or final. Recipients should not rely on the information. Neither the NTA nor any of its directors, officers, employees, agents, stakeholders or advisers make any representation or warranty as to, or accept any liability or responsibility in relation to, the adequacy, accuracy, reasonableness or completeness of the information provided as part of this document or any matter on which the information is based (including but not limited to loss or damage arising as a result of reliance by recipients on the information or any part of it). Any liabilities are hereby expressly disclaimed.



Rev	Date	Drn	Chk'd	App'd	Description
M01	08/05/2023	RB	RH	RS	ISSUE FOR PHASE 4: PLANNING

Client: **NTA**
Údarás Náisiúnta Iompair
National Transport Authority

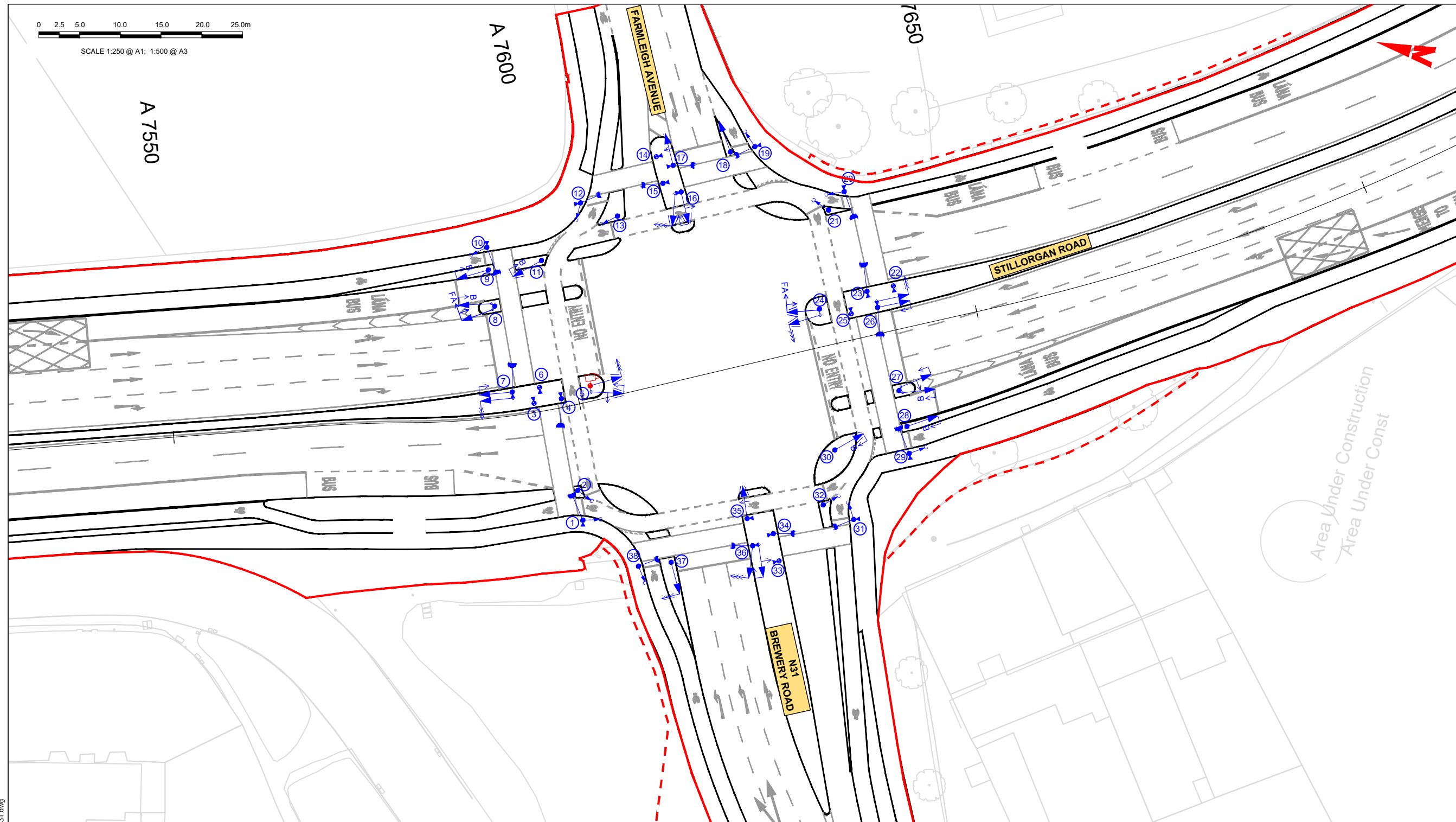
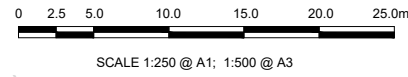
Engineering Designer: **Jacobs**

Date	Scale	Drawn	Checked	Approved
08/05/2023	1:250 @ A1 1:500 @ A3	RB	RH	RS

Project Code: BCIDB | Originator Code: JAC | QMS Code:

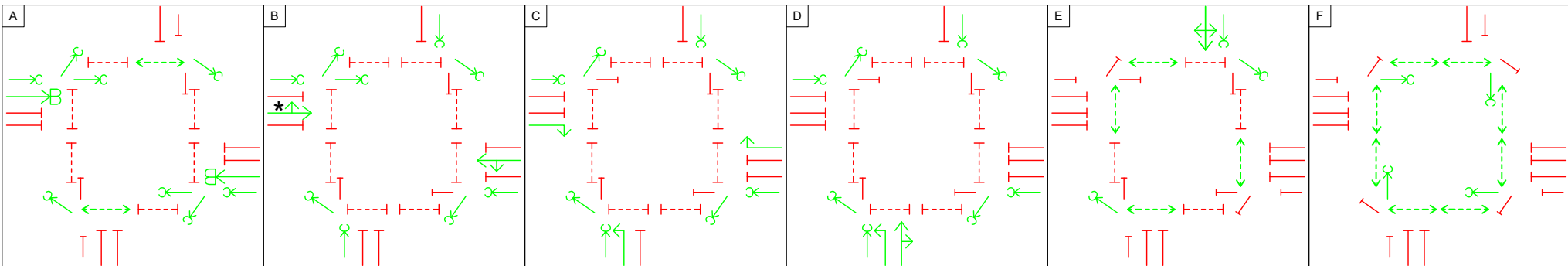
Programme Title BUSCONNECTS DUBLIN CORE BUS CORRIDORS INFRASTRUCTURE WORKS			
Drawing Title BRAY TO CITY CENTRE CORE BUS CORRIDOR SCHEME JUNCTION SYSTEMS DESIGN N11 STILLORGAN ROAD / LOWER KILMACUD ROAD			
Drawing File Name BCIDB-JAC-TSM_SJ-0013_XX_00-DR-TR-0032	Sheet Number 32 of 60	Status A	Rev M01

DO NOT SCALE USE FIGURED DIMENSIONS ONLY



- LEGEND:**
- TRAFFIC SIGNAL HEADS:**
- RTS 001 PRIMARY
 - RTS 002 PRIMARY
 - RTS 002 PRIMARY
 - RTS 002 SECONDARY
 - RTS 002 PRIMARY
 - RTS 002 SECONDARY
 - RTS 002 PRIMARY
 - RTS 002 SECONDARY
 - RTS 003 PRIMARY
 - RTS 003 SECONDARY
 - RTS 003 PRIMARY
 - RTS 003 SECONDARY
 - RTS 003 PRIMARY
 - RTS 003 SECONDARY
 - RTS 004 PRIMARY
 - RTS 004 SECONDARY
 - RTS 007 (LOW LEVEL) PRIMARY
 - RPC 004 PEDESTRIAN HEAD
- TRAFFIC SIGNAL EQUIPMENT:**
- POLE (STANDARD HEIGHT)
 - SMALL POLE
 - TALL POLE (TRAFFIC SIGNALS)
 - MAST ARM (VARIABLE LENGTH)
 - TALL POLE (CCTV/TRAFFIC SIGNALS)
 - POLE NUMBER
 - PUSH BUTTON UNIT
 - MOUNTING BRACKET
 - PAN / TILT / ZOOM CCTV CAMERA
- GENERAL:**
- SITE BOUNDARY LINE
 - TEMPORARY LAND ACQUISITION

METHOD OF CONTROL



DENOTES FLASHING AMBER

Disclaimer

a. © National Transport Authority (NTA) 2022. This drawing is confidential and the copyright in it is owned by NTA. This drawing must not be either loaned, copied or otherwise reproduced in whole or in part or used for any purpose without the prior permission of NTA.

b. This drawing is to be used for the design element identified in the titleblock. Other information shown is to be considered indicative only. The drawing is to be read in conjunction with all other relevant design drawings.

c. O.S. data used for plans are printed under © Ordnance Survey Ireland Government of Ireland. All rights reserved. Licence Number 2022/OSI_NMA_160 National Transport Authority. All elevations are in metres and relate to OSi Geoid Model (OSGM15) Mean Head. All Co-ordinates are in Irish Transverse Mercator Grid (ITM) as defined by OSi active local GPS station.

d. Information concerning the position of apparatus shown on this drawing is based on drawings supplied by the utility owners and/or the utility works contractor, whilst every care has been taken as appropriate and are intended for general guidance only and no representation is made by the NTA as to the accuracy, completeness, sufficiency or otherwise of this drawing and the position of the apparatus. The information contained herein does not purport to be comprehensive or final as the apparatus is subject to being altered and/or superseded. Recipients should not rely on this information. Any liabilities are hereby expressly disclaimed.

e. The information contained herein has been provided by the NTA but does not purport to be comprehensive or final. Recipients should not rely on the information. Neither the NTA nor any of its directors, officers, employees, agents, stakeholders or advisers make any representation or warranty as to, or accept any liability or responsibility in relation to, the adequacy, accuracy, reasonableness or completeness of the information provided as part of this document or any matter on which the information is based (including but not limited to loss or damage arising as a result of reliance by recipients on the information or any part of it). Any liabilities are hereby expressly disclaimed.



Rev	Date	Dm	Chk'd	App'd	Description
M01	08/05/2023	RB	RH	RS	ISSUE FOR PHASE 4: PLANNING

Client: **NTA**
Údarás Náisiúnta Iompair
National Transport Authority

Engineering Designer: **Jacobs**

Date	Scale	Drawn	Checked	Approved
08/05/2023	1:250 @ A1 1:500 @ A3	RB	RH	RS
Project Code	Originator Code	QMS Code		
BCIDB	JAC			

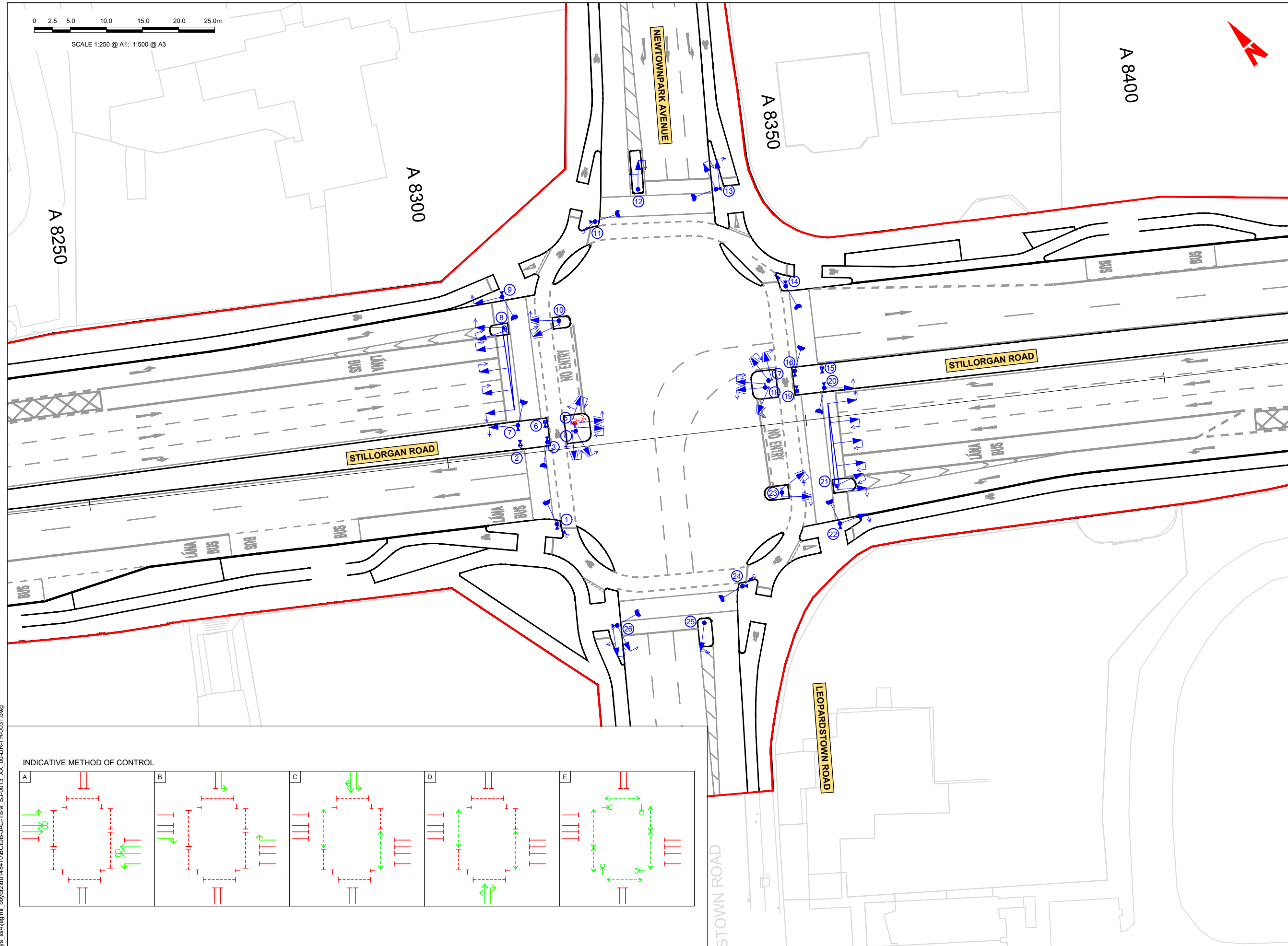
Programme Title			
BUSCONNECTS DUBLIN			
CORE BUS CORRIDORS INFRASTRUCTURE WORKS			
Drawing Title			
BRAY TO CITY CENTRE CORE BUS CORRIDOR SCHEME JUNCTION SYSTEMS DESIGN N11 STILLORGAN ROAD / FARMLEIGH AVENUE			
Drawing File Name	Sheet Number	Status	Rev
BCIDB-JAC-TSM_SJ_-0013_XX_00-DR-TR-0033	33 of 60	A	M01

DO NOT SCALE USE FIGURED DIMENSIONS ONLY

C:\pwworking\jacobs_uk_highways_asd\legintl_bayard2d\148470\BCIDB-JAC-TSM_SJ_-0013_XX_00-DR-TR-0033.dwg

0 2.5 5.0 10.0 15.0 20.0 25.0m

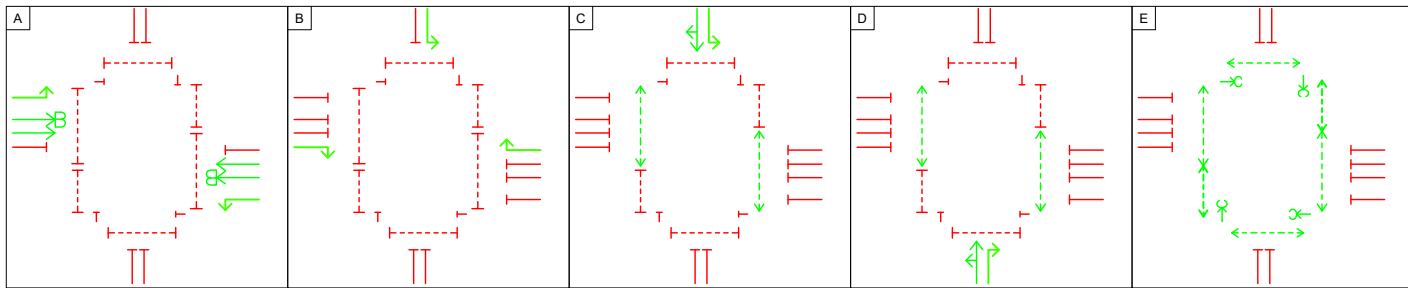
SCALE 1:250 @ A1; 1:500 @ A3



LEGEND:

- TRAFFIC SIGNAL HEADS:**
- RTS 002 PRIMARY
 - RTS 002 SECONDARY
 - RTS 003 PRIMARY
 - RTS 003 SECONDARY
 - RTS 007 (LOW LEVEL) PRIMARY
 - RTS 007 CYCLE HEAD
- TRAFFIC SIGNAL EQUIPMENT:**
- POLE (STANDARD HEIGHT)
 - SMALL POLE
 - TALL POLE (TRAFFIC SIGNALS)
 - MAST ARM (VARIABLE LENGTH)
 - TALL POLE (CCTV/TRAFFIC SIGNALS)
 - POLE NUMBER
 - PUSH BUTTON UNIT
 - MOUNTING BRACKET
 - PAN / TILT / ZOOM CCTV CAMERA
- GENERAL:**
- SITE BOUNDARY LINE
 - TEMPORARY LAND ACQUISITION

INDICATIVE METHOD OF CONTROL



C:\pwworking\jacobs_uk_highways_ssd\legintl_bovd2d\148470\BCIDB-JAC-TSM_SJ-0013_XX_00-DR-TR-0031.dwg

Disclaimer

a. © National Transport Authority (NTA) 2022. This drawing is confidential and the copyright in it is owned by NTA. This drawing must not be either loaned, copied or otherwise reproduced in whole or in part or used for any purpose without the prior permission of NTA.

b. This drawing is to be used for the design element identified in the titleblock. Other information shown is to be considered indicative only. The drawing is to be read in conjunction with all other relevant design drawings.

c. O.S. data used for plans are printed under © Ordnance Survey Ireland Government of Ireland. All rights reserved. Licence Number 2022/OSI_NMA_180 National Transport Authority. All elevations are in metres and relate to OS Geoid Model (OSGM15) Mean Head. All Co-ordinates are in Irish Transverse Mercator Grid (ITM) as defined by OSI active local GPS station.

d. Information concerning the position of apparatus shown on this drawing is based on drawings supplied by the utility owners and/or the utility works contractor, whilst every care has been taken in the preparation of this drawing, positions should be taken as appropriate and are intended for general guidance only and no representation is made by the NTA as to the accuracy, completeness, sufficiency or otherwise of this drawing and the position of the apparatus. The information contained herein does not purport to be comprehensive or final as the apparatus is subject to being altered and/or superseded. Recipients should not rely on this information. Any liabilities are hereby expressly disclaimed.

e. The information contained herein has been provided by the NTA but does not purport to be comprehensive or final. Recipients should not rely on the information. Neither the NTA nor any of its directors, officers, employees, agents, stakeholders or advisers make any representation or warranty as to, or accept any liability or responsibility in relation to, the adequacy, accuracy, reasonableness or completeness of the information provided as part of this document or any matter on which the information is based (including but not limited to loss or damage arising as a result of reliance by recipients on the information or any part of it). Any liabilities are hereby expressly disclaimed.



Rev	Date	Dm	Chk'd	App'd	Description
M01	08/05/2023	RB	RH	RS	ISSUE FOR PHASE 4: PLANNING

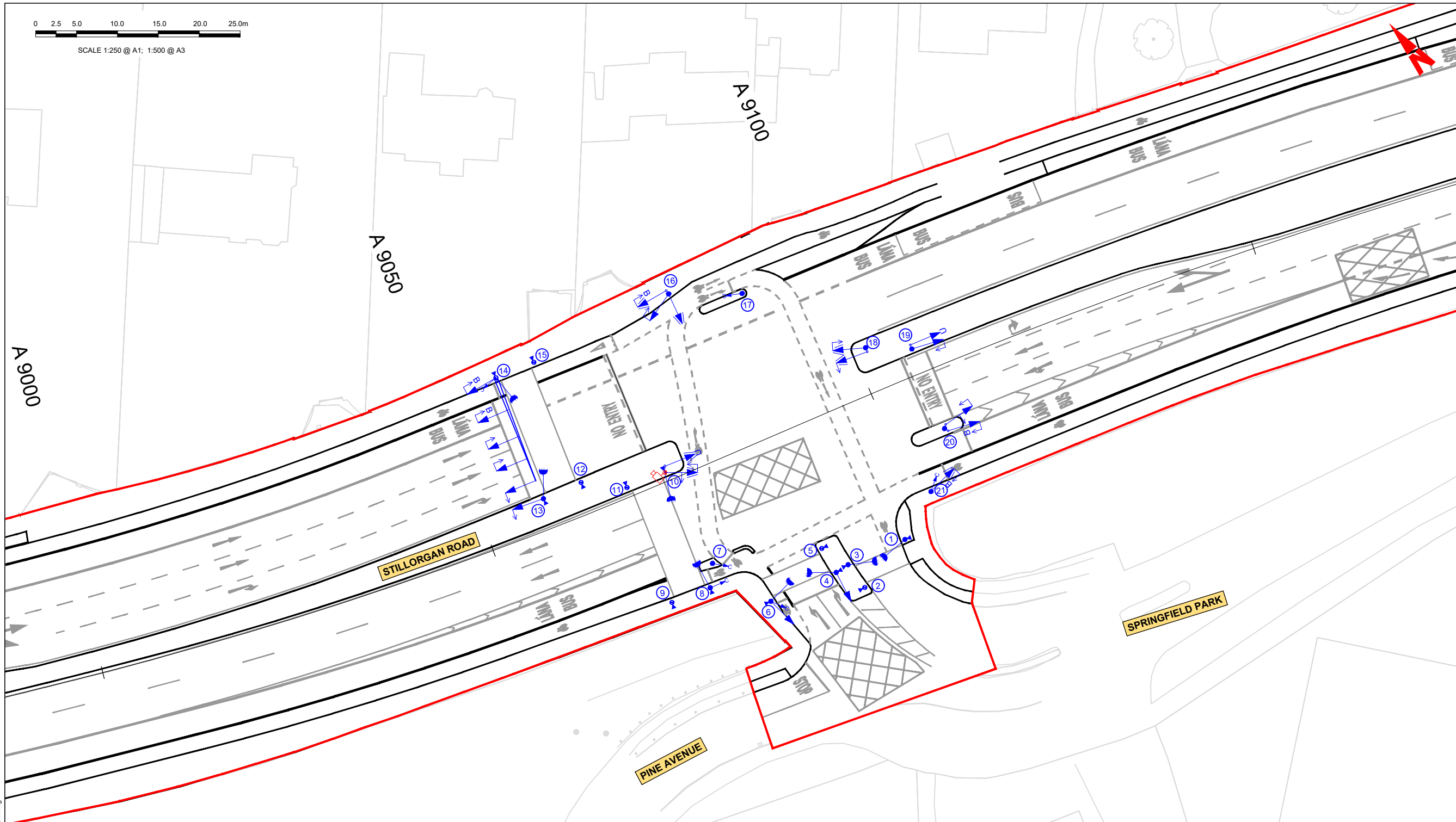
Date	Scale	Drawn	Checked	Approved
08/05/2023	1:250 @ A1 1:500 @ A3	RB	RH	RS
Project Code	Originator Code	QMS Code		
BCIDB	JAC			

Programme Title BUSCONNECTS DUBLIN CORE BUS CORRIDORS INFRASTRUCTURE WORKS			
Drawing Title BRAY TO CITY CENTRE CORE BUS CORRIDOR SCHEME JUNCTION SYSTEMS DESIGN N11 STILLORGAN ROAD / LEOPARDSTOWN ROAD			
Drawing File Name	Sheet Number	Status	Rev
BCIDB-JAC-TSM_SJ-0013_XX_00-DR-TR-0034	34 of 60	A	M01

DO NOT SCALE USE FIGURED DIMENSIONS ONLY

0 2.5 5.0 10.0 15.0 20.0 25.0m

SCALE 1:250 @ A1; 1:500 @ A3



LEGEND:

TRAFFIC SIGNAL HEADS:

- RTS 001 PRIMARY
- RTS 001 SECONDARY
- RTS 002 PRIMARY
- RTS 002 SECONDARY
- RTS 002 PRIMARY
- RTS 002 SECONDARY
- RTS 002 PRIMARY
- RTS 002 SECONDARY
- RTS 002 PRIMARY
- RTS 002 SECONDARY
- RTS 007 (LOW LEVEL) PRIMARY
- RPC 004 PEDESTRIAN HEAD

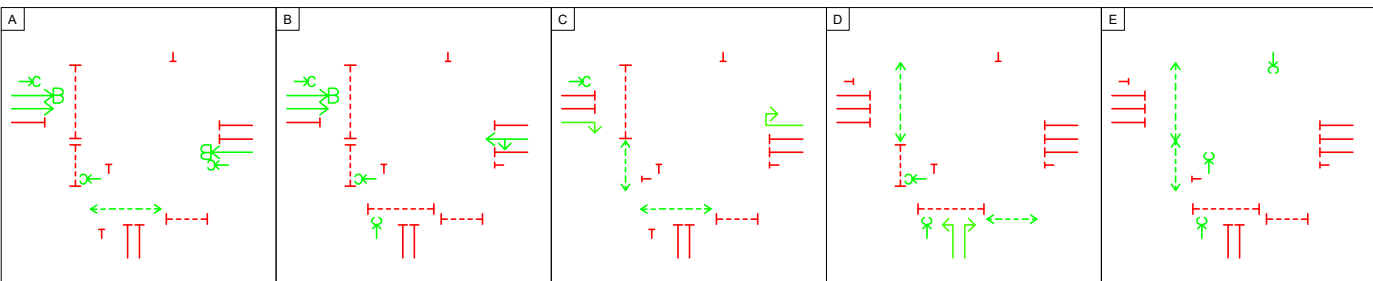
TRAFFIC SIGNAL EQUIPMENT:

- POLE (STANDARD HEIGHT)
- SMALL POLE
- TALL POLE (TRAFFIC SIGNALS)
- MAST ARM (VARIABLE LENGTH)
- TALL POLE (CCTV/TRAFFIC SIGNALS)
- POLE NUMBER
- PUSH BUTTON UNIT
- PAN / TILT / ZOOM CCTV CAMERA

GENERAL:

- SITE BOUNDARY LINE
- TEMPORARY LAND ACQUISITION

INDICATIVE METHOD OF CONTROL



Disclaimer

a. © National Transport Authority (NTA) 2022. This drawing is confidential and the copyright in it is owned by NTA. This drawing must not be either loaned, copied or otherwise reproduced in whole or in part or used for any purpose without the prior permission of NTA.

b. This drawing is to be used for the design element identified in the titleblock. Other information shown is to be considered indicative only. The drawing is to be read in conjunction with all other relevant design drawings.

c. O.S. data used for plans are printed under © Ordnance Survey Ireland Government of Ireland. All rights reserved. Licence Number 2022/OSI_NMA_180 National Transport Authority. All elevations are in metres and relate to OSi Geoid Model (OSGM15) Mean Head. All Co-ordinates are in Irish Transverse Mercator Grid (ITM) as defined by OSi active local GPS station.

d. Information concerning the position of apparatus shown on this drawing is based on drawings supplied by the utility owners and/or the utility works contractor, whilst every care has been taken in the preparation of this drawing, positions should be taken as approximate and are intended for general guidance only and no representation is made by the NTA as to the accuracy, completeness, sufficiency or otherwise of this drawing and the position of the apparatus. The information contained herein does not purport to be comprehensive or final as the apparatus is subject to being altered and/or superseded. Recipients should not rely on this information. Any liabilities are hereby expressly disclaimed.

e. The information contained herein has been provided by the NTA but does not purport to be comprehensive or final. Recipients should not rely on the information. Neither the NTA nor any of its directors, officers, employees, agents, stakeholders or advisers make any representation or warranty as to, or accept any liability or responsibility in relation to, the adequacy, accuracy, reasonableness or completeness of the information provided as part of this document or any matter on which the information is based (including but not limited to loss or damage arising as a result of reliance by recipients on the information or any part of it). Any liabilities are hereby expressly disclaimed.



Rev	Date	Dm	Chk'd	App'd	Description
M01	08/05/2023	RB	RH	RS	ISSUE FOR PHASE 4: PLANNING

Client: **NTA**
Údarás Náisiúnta Iompair
National Transport Authority

Engineering Designer: **Jacobs**

Date	Scale	Drawn	Checked	Approved
08/05/2023	1:250 @ A1 1:500 @ A3	RB	RH	RS

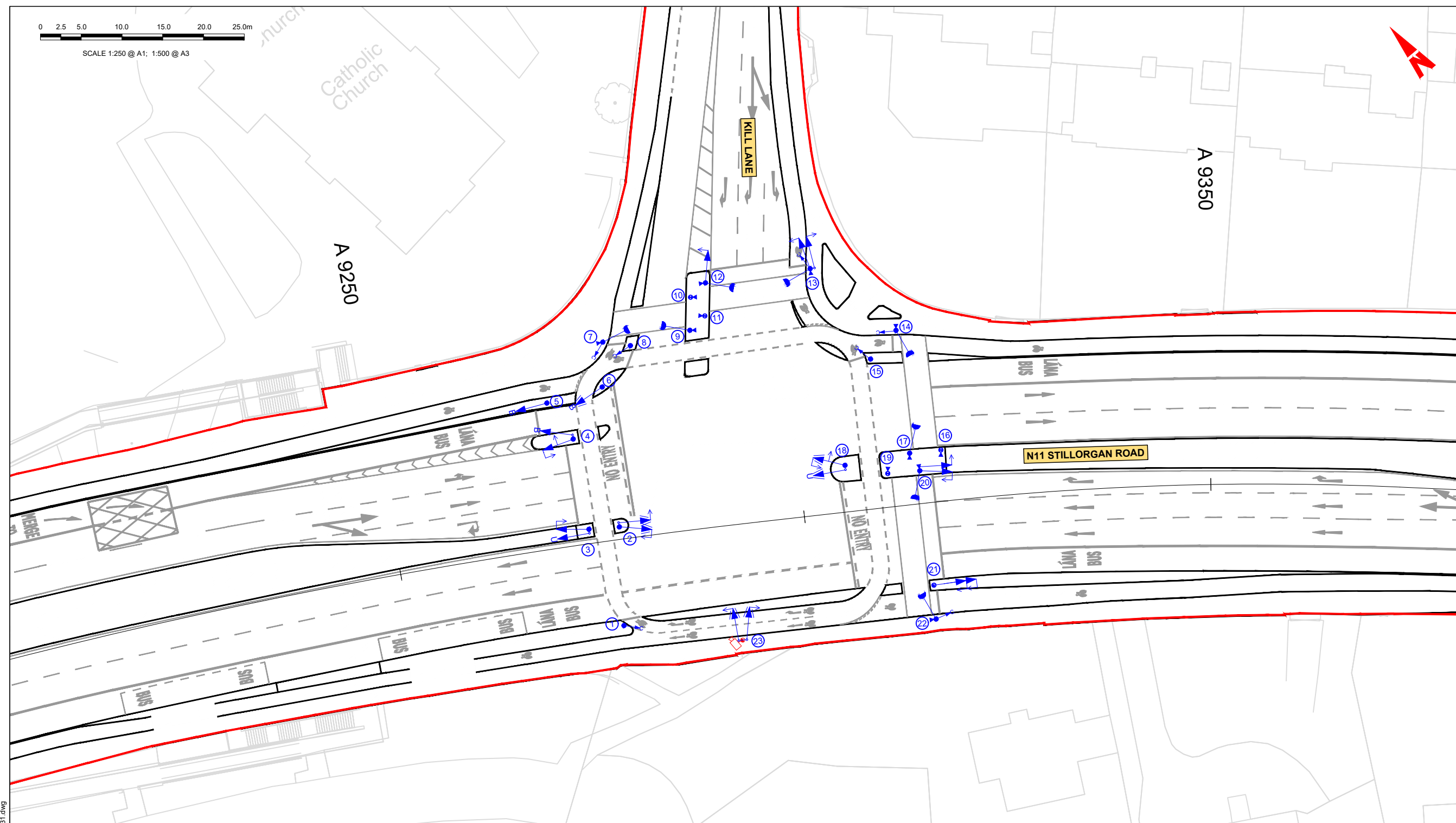
Project Code: BCIDB | Originator Code: JAC | QMS Code:

Programme Title BUSCONNECTS DUBLIN CORE BUS CORRIDORS INFRASTRUCTURE WORKS			
Drawing Title BRAY TO CITY CENTRE CORE BUS CORRIDOR SCHEME JUNCTION SYSTEMS DESIGN N11 STILLORGAN ROAD / SPRINGFIELD PARK			
Drawing File Name BCIDB-JAC-TSM_SJ-0013_XX_00-DR-TR-0035	Sheet Number 35 of 60	Status A	Rev M01

DO NOT SCALE USE FIGURED DIMENSIONS ONLY

C:\pwworking\jacobs_uk_highways_ssd\jgintl_boyd2d\148470\BCIDB-JAC-TSM_SJ-0013_XX_00-DR-TR-0035.dwg

0 2.5 5.0 10.0 15.0 20.0 25.0m
SCALE 1:250 @ A1; 1:500 @ A3



LEGEND:

TRAFFIC SIGNAL HEADS:

- RTS 002 PRIMARY
- RTS 002 SECONDARY
- RTS 003 PRIMARY
- RTS 003 SECONDARY
- RTS 007 (LOW LEVEL) PRIMARY
- RPC 004 PEDESTRIAN HEAD

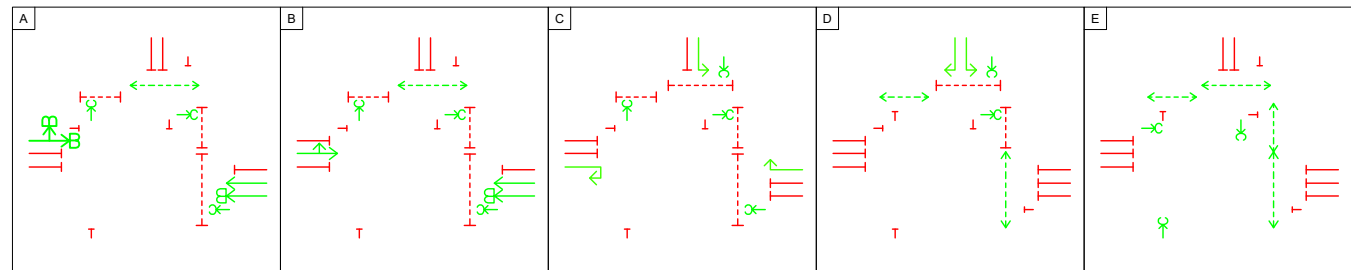
TRAFFIC SIGNAL EQUIPMENT:

- POLE (STANDARD HEIGHT)
- SMALL POLE
- TALL POLE (TRAFFIC SIGNALS)
- MAST ARM (VARIABLE LENGTH)
- TALL POLE (CCTV/TRAFFIC SIGNALS)
- POLE NUMBER
- PUSH BUTTON UNIT
- PAN / TILT / ZOOM CCTV CAMERA

GENERAL:

- SITE BOUNDARY LINE
- TEMPORARY LAND ACQUISITION

INDICATIVE METHOD OF CONTROL



C:\pwworking\jacobs_uk_highways_ssd\legintl_bayd2d\148470\BCIDB-JAC-TSM_SJ-0013_XX_00-DR-TR-0031.dwg

Disclaimer

a. © National Transport Authority (NTA) 2022. This drawing is confidential and the copyright in it is owned by NTA. This drawing must not be either loaned, copied or otherwise reproduced in whole or in part or used for any purpose without the prior permission of NTA.

b. This drawing is to be used for the design element identified in the titleblock. Other information shown is to be considered indicative only. The drawing is to be read in conjunction with all other relevant design drawings.

c. O.S. data used for plans are printed under © Ordnance Survey Ireland Government of Ireland. All rights reserved. Licence Number 2022/OSI_NMA_180 National Transport Authority. All elevations are in metres and relate to OS Geoid Model (OSGM15) Mean Head. All Co-ordinates are in Irish Transverse Mercator Grid (ITM) as defined by OSI active local GPS station.

d. Information concerning the position of apparatus shown on this drawing is based on drawings supplied by the utility owners and/or the utility works contractor, whilst every care has been taken as appropriate and are intended for general guidance only and no representation is made by the NTA as to the accuracy, completeness, sufficiency or otherwise of this drawing and the position of the apparatus. The information contained herein does not purport to be comprehensive or final as the apparatus is subject to being altered and/or superseded. Recipients should not rely on this information. Any liabilities are hereby expressly disclaimed.

e. The information contained herein has been provided by the NTA but does not purport to be comprehensive or final. Recipients should not rely on the information. Neither the NTA nor any of its directors, officers, employees, agents, stakeholders or advisers make any representation or warranty as to, or accept any liability or responsibility in relation to, the adequacy, accuracy, reasonableness or completeness of the information provided as part of this document or any matter on which the information is based (including but not limited to loss or damage arising as a result of reliance by recipients on the information or any part of it). Any liabilities are hereby expressly disclaimed.



Rev	Date	Dm	Chk'd	App'd	Description
M01	08/05/2023	RB	RH	RS	ISSUE FOR PHASE 4: PLANNING

Client: **NTA**
Údarás Náisiúnta Iompair
National Transport Authority

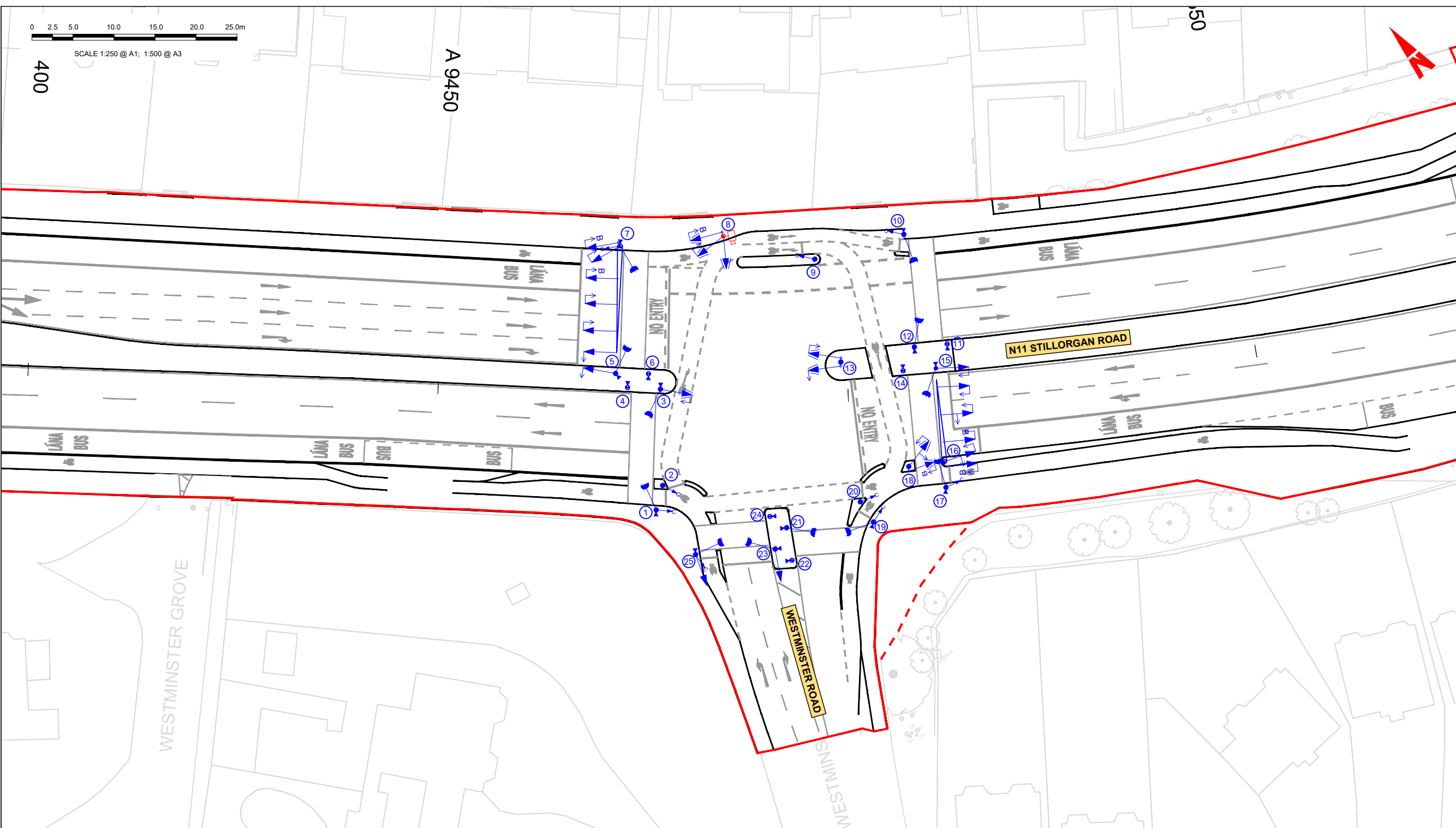
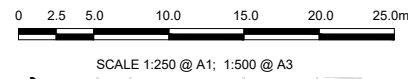
Engineering Designer: **Jacobs**

Date	Scale	Drawn	Checked	Approved
08/05/2023	1:250 @ A1 1:500 @ A3	RB	RH	RS

Project Code: BCIDB | Originator Code: JAC | QMS Code:

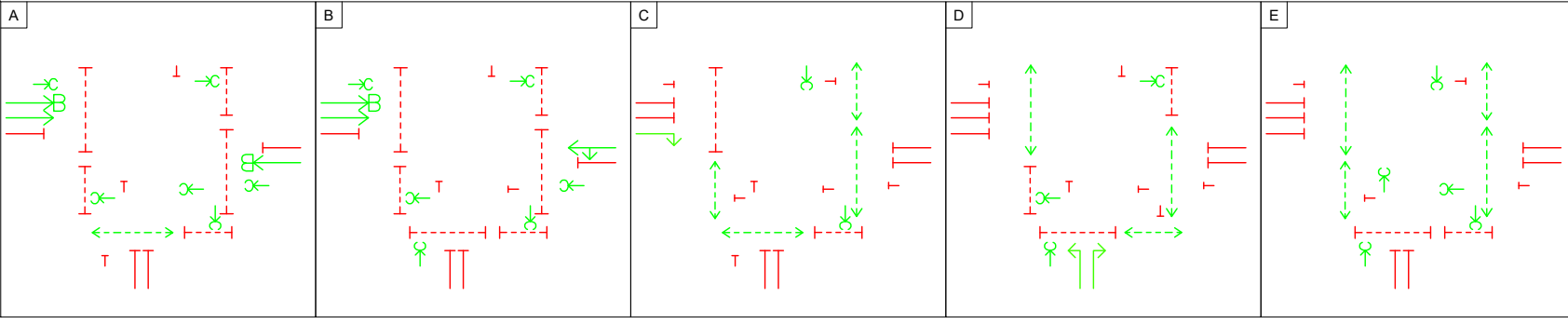
Programme Title BUSCONNECTS DUBLIN CORE BUS CORRIDORS INFRASTRUCTURE WORKS			
Drawing Title BRAY TO CITY CENTRE CORE BUS CORRIDOR SCHEME JUNCTION SYSTEMS DESIGN N11 STILLORGAN ROAD / KILL LANE JUNCTION			
Drawing File Name BCIDB-JAC-TSM_SJ-0013_XX_00-DR-TR-0036	Sheet Number 36 of 60	Status A	Rev M01

DO NOT SCALE USE FIGURED DIMENSIONS ONLY



- LEGEND:**
- TRAFFIC SIGNAL HEADS:**
- RTS 001 PRIMARY
 - RTS 001 SECONDARY
 - RTS 002 PRIMARY
 - RTS 002 SECONDARY
 - RTS 002 PRIMARY
 - RTS 002 SECONDARY
 - RTS 002 PRIMARY
 - RTS 002 SECONDARY
 - RTS 003 PRIMARY
 - RTS 003 SECONDARY
 - RTS 007 (LOW LEVEL) PRIMARY
 - RPC 004 PEDESTRIAN HEAD
- TRAFFIC SIGNAL EQUIPMENT:**
- POLE (STANDARD HEIGHT)
 - SMALL POLE
 - TALL POLE (TRAFFIC SIGNALS)
 - MAST ARM (VARIABLE LENGTH)
 - TALL POLE (CCTV/TRAFFIC SIGNALS)
 - POLE NUMBER
 - PUSH BUTTON UNIT
 - PAN / TILT / ZOOM CCTV CAMERA
- GENERAL:**
- SITE BOUNDARY LINE
 - TEMPORARY LAND ACQUISITION

INDICATIVE METHOD OF CONTROL



Disclaimer

a. © National Transport Authority (NTA) 2022. This drawing is confidential and the copyright in it is owned by NTA. This drawing must not be either loaned, copied or otherwise reproduced in whole or in part or used for any purpose without the prior permission of NTA.

b. This drawing is to be used for the design element identified in the titleblock. Other information shown is to be considered indicative only. The drawing is to be read in conjunction with all other relevant design drawings.

c. O.S. data used for plans are printed under © Ordnance Survey Ireland Government of Ireland. All rights reserved. Licence Number 2022/OSI_NMA_180 National Transport Authority. All elevations are in metres and relate to OS Geoid Model (OSGM15) Mean Head. All Co-ordinates are in Irish Transverse Mercator Grid (ITM) as defined by OSI active local GPS station.

d. Information concerning the position of apparatus shown on this drawing is based on drawings supplied by the utility owners and/or the utility works contractor, whilst every care has been taken in the preparation of this drawing, positions should be taken as appropriate and are intended for general guidance only and no representation is made by the NTA as to the accuracy, completeness, sufficiency or otherwise of this information. The information contained herein does not purport to be comprehensive or final as the apparatus is subject to being altered and/or superseded. Recipients should not rely on this information. Any liabilities are hereby expressly disclaimed.

e. The information contained herein has been provided by the NTA but does not purport to be comprehensive or final. Recipients should not rely on the information. Neither the NTA nor any of its directors, officers, employees, agents, stakeholders or advisers make any representation or warranty as to, or accept any liability or responsibility in relation to, the adequacy, accuracy, reasonableness or completeness of the information provided as part of this document or any matter on which the information is based (including but not limited to loss or damage arising as a result of reliance by recipients on the information or any part of it). Any liabilities are hereby expressly disclaimed.



Rev	Date	Dm	Chk'd	App'd	Description
M01	08/05/2023	RB	RH	RS	ISSUE FOR PHASE 4: PLANNING

Client: **NTA** (Údarás Náisiúnta Iompair National Transport Authority)

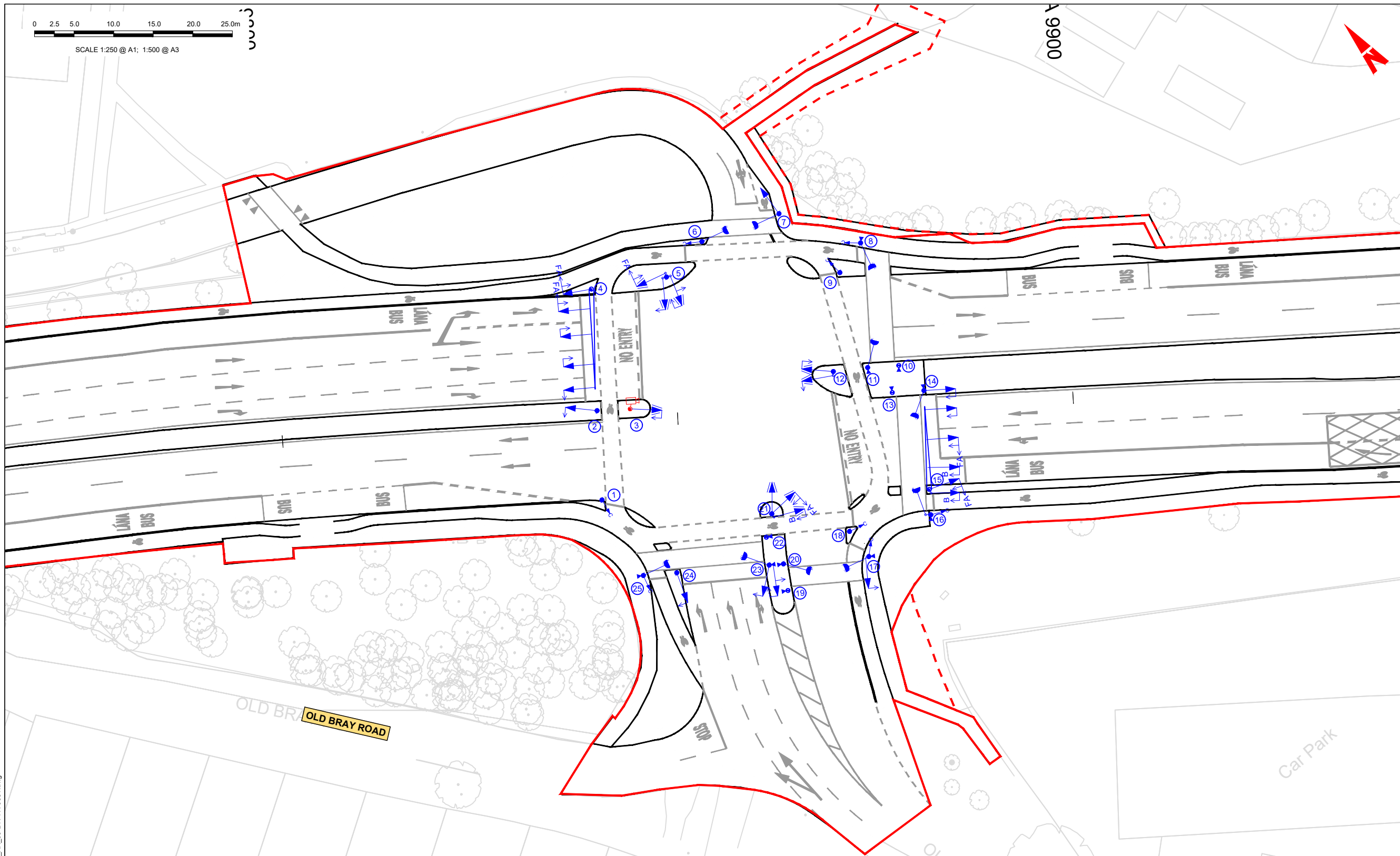
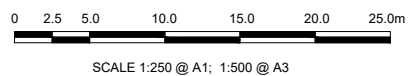
Engineering Designer: **Jacobs**

Date	Scale	Drawn	Checked	Approved
08/05/2023	1:250 @ A1 1:500 @ A3	RB	RH	RS
Project Code	Originator Code	QMS Code		
BCIDB	JAC			

Programme Title			
BUSCONNECTS DUBLIN			
CORE BUS CORRIDORS INFRASTRUCTURE WORKS			
Drawing Title			
BRAY TO CITY CENTRE CORE BUS CORRIDOR SCHEME			
JUNCTION SYSTEMS DESIGN			
N11 STILLORGAN ROAD / WESTMINSTER ROAD			
Drawing File Name	Sheet Number	Status	Rev
BCIDB-JAC-TSM_SJ-0013_XX_00-DR-TR-0037	37 of 60	A	M01

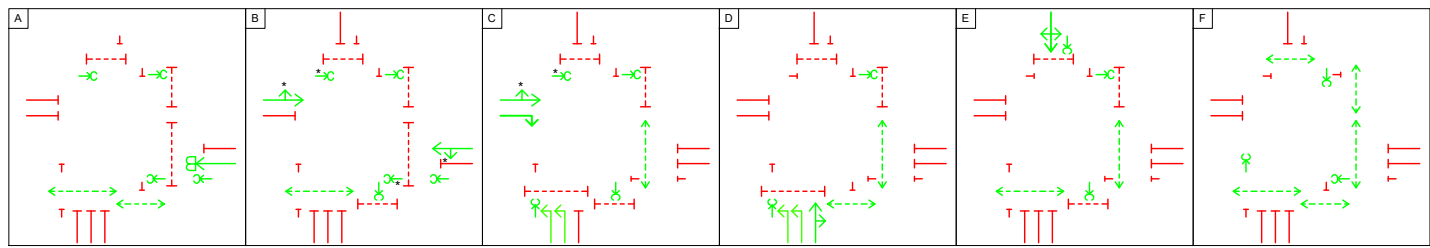
DO NOT SCALE USE FIGURED DIMENSIONS ONLY

C:\pwworking\jacobs_uk_highways_ssd\legintl_bayard2\148470\BCIDB-JAC-TSM_SJ-0013_XX_00-DR-TR-0037.dwg



- LEGEND:**
- TRAFFIC SIGNAL HEADS:**
- RTS 001 PRIMARY
 - RTS 001 SECONDARY
 - RTS 002 PRIMARY
 - RTS 002 SECONDARY
 - RTS 002 PRIMARY
 - RTS 002 SECONDARY
 - RTS 002 PRIMARY
 - RTS 002 SECONDARY
 - RTS 002 PRIMARY
 - RTS 002 SECONDARY
 - RTS 003 PRIMARY
 - RTS 003 SECONDARY
 - RTS 004 PRIMARY
 - RTS 004 SECONDARY
 - RTS 007 (LOW LEVEL) PRIMARY
 - RPC 004 PEDESTRIAN HEAD
- TRAFFIC SIGNAL EQUIPMENT:**
- POLE (STANDARD HEIGHT)
 - SMALL POLE
 - TALL POLE (TRAFFIC SIGNALS)
 - MAST ARM (VARIABLE LENGTH)
 - TALL POLE (CCTV/TRAFFIC SIGNALS)
 - POLE NUMBER
 - PUSH BUTTON UNIT
 - PAN / TILT / ZOOM CCTV CAMERA
- GENERAL:**
- SITE BOUNDARY LINE
 - TEMPORARY LAND ACQUISITION

INDICATIVE METHOD OF CONTROL



Disclaimer

a. © National Transport Authority (NTA) 2022. This drawing is confidential and the copyright in it is owned by NTA. This drawing must not be either loaned, copied or otherwise reproduced in whole or in part or used for any purpose without the prior permission of NTA.

b. This drawing is to be used for the design element identified in the title block. Other information shown is to be considered indicative only. The drawing is to be read in conjunction with all other relevant design drawings.

c. O.S. data used for plans are printed under © Ordnance Survey Ireland Government of Ireland. All rights reserved. Licence Number 2022/OSI_NMA_180 National Transport Authority. All elevations are in metres and relate to OSI Geoid Model (OSGM15) Mean Head. All Co-ordinates are in Irish Transverse Mercator Grid (ITM) as defined by OSI active local GPS station.

d. Information concerning the position of apparatus shown on this drawing is based on drawings supplied by the utility owners and/or the utility works contractor, whilst every care has been taken in the preparation of this drawing, positions should be taken as appropriate and are intended for general guidance only and no representation is made by the NTA as to the accuracy, completeness, sufficiency or otherwise of this drawing and the position of the apparatus. The information contained herein does not purport to be comprehensive or final as the apparatus is subject to being altered and/or superseded. Recipients should not rely on this information. Any liabilities are hereby expressly disclaimed.

e. The information contained herein has been provided by the NTA but does not purport to be comprehensive or final. Recipients should not rely on the information. Neither the NTA nor any of its directors, officers, employees, agents, stakeholders or advisers make any representation or warranty as to, or accept any liability or responsibility in relation to, the adequacy, accuracy, reasonableness or completeness of the information provided as part of this document or any matter on which the information is based (including but not limited to loss or damage arising as a result of reliance by recipients on the information or any part of it). Any liabilities are hereby expressly disclaimed.



Rev	Date	Drn	Chk'd	App'd	Description
M01	08/05/2023	RB	RH	RS	ISSUE FOR PHASE 4: PLANNING

Client: **NTA**
 Údarás Náisiúnta Iompair
 National Transport Authority

Engineering Designer: **Jacobs**

Date	Scale	Drawn	Checked	Approved
08/05/2023	1:250 @ A1 1:500 @ A3	RB	RH	RS
Project Code	Originator Code	QMS Code		
BCIDB	JAC			

Programme Title			
BUSCONNECTS DUBLIN			
CORE BUS CORRIDORS INFRASTRUCTURE WORKS			
Drawing Title			
BRAY TO CITY CENTRE CORE BUS CORRIDOR SCHEME			
JUNCTION SYSTEMS DESIGN			
N11 STILLORGAN ROAD / BRAY ROAD			
Drawing File Name	Sheet Number	Status	Rev
BCIDB-JAC-TSM_SJ-0013_XX_00-DR-TR-0038	38 of 60	A	M01

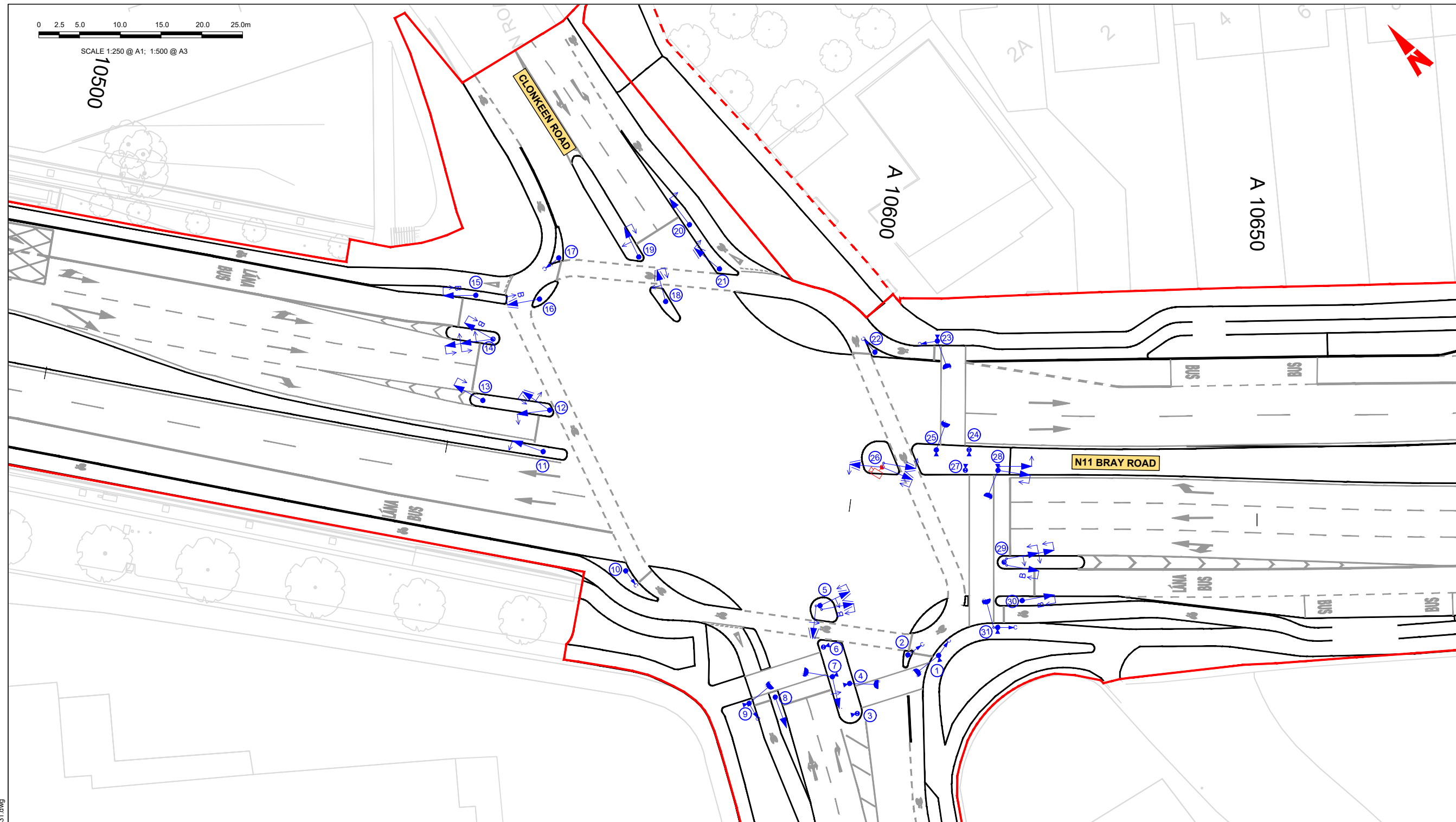
DO NOT SCALE USE FIGURED DIMENSIONS ONLY

C:\pwworking\jacobs_uk_highways_asd\jgintl_bayrd2\0148470\BCIDB-JAC-TSM_SJ-0013_XX_00-DR-TR-0038.dwg

0 2.5 5.0 10.0 15.0 20.0 25.0m

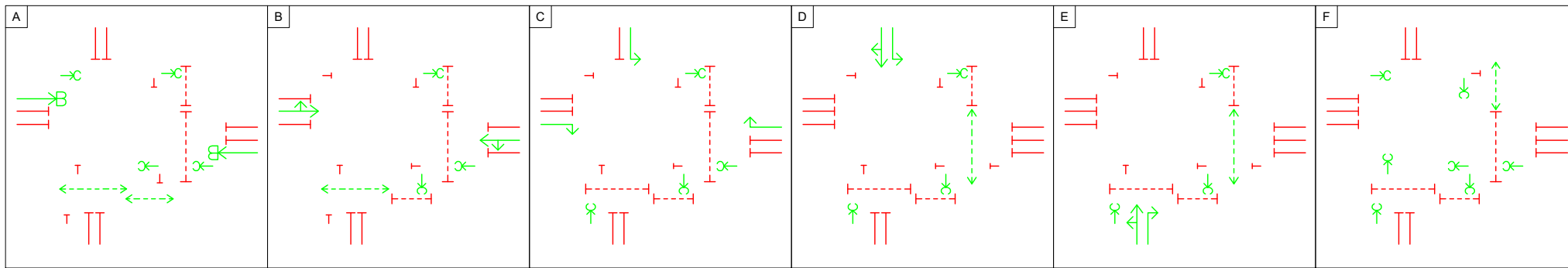
SCALE 1:250 @ A1; 1:500 @ A3

10500



- LEGEND:**
- TRAFFIC SIGNAL HEADS:**
- RTS 001 PRIMARY
 - RTS 002 PRIMARY
 - RTS 002 SECONDARY
 - RTS 002 PRIMARY
 - RTS 002 SECONDARY
 - RTS 002 PRIMARY
 - RTS 002 SECONDARY
 - RTS 002 PRIMARY
 - RTS 002 SECONDARY
 - RTS 003 PRIMARY
 - RTS 003 PRIMARY x2
 - RTS 003 SECONDARY
 - RTS 003 PRIMARY
 - RTS 003 SECONDARY
 - RTS 007 (LOW LEVEL) PRIMARY
 - RPC 004 PEDESTRIAN HEAD
- TRAFFIC SIGNAL EQUIPMENT:**
- POLE (STANDARD HEIGHT)
 - SMALL POLE
 - TALL POLE (TRAFFIC SIGNALS)
 - MAST ARM (VARIABLE LENGTH)
 - TALL POLE (CCTV/TRAFFIC SIGNALS)
 - POLE NUMBER
 - PUSH BUTTON UNIT
 - PAN / TILT / ZOOM CCTV CAMERA
- GENERAL:**
- SITE BOUNDARY LINE
 - TEMPORARY LAND ACQUISITION

INDICATIVE METHOD OF CONTROL



Disclaimer

a. © National Transport Authority (NTA) 2022. This drawing is confidential and the copyright in it is owned by NTA. This drawing must not be either loaned, copied or otherwise reproduced in whole or in part or used for any purpose without the prior permission of NTA.

b. This drawing is to be used for the design element identified in the titleblock. Other information shown is to be considered indicative only. The drawing is to be read in conjunction with all other relevant design drawings.

c. O.S. data used for plans are printed under © Ordnance Survey Ireland Government of Ireland. All rights reserved. Licence Number 2022/OSI_NMA_180 National Transport Authority. All elevations are in metres and relate to OSi Geoid Model (OSGM15) Mean Head. All Co-ordinates are in Irish Transverse Mercator Grid (ITM) as defined by OSi active local GPS station.

d. Information concerning the position of apparatus shown on this drawing is based on drawings supplied by the utility owners and/or the utility works contractor, whilst every care has been taken in the preparation of this drawing, positions should be taken as appropriate and are intended for general guidance only and no representation is made by the NTA as to the accuracy, completeness, sufficiency or otherwise of this drawing and the position of the apparatus. The information contained herein does not purport to be comprehensive or final as the apparatus is subject to being altered and/or superseded. Recipients should not rely on this information. Any liabilities are hereby expressly disclaimed.

e. The information contained herein has been provided by the NTA but does not purport to be comprehensive or final. Recipients should not rely on the information. Neither the NTA nor any of its directors, officers, employees, agents, stakeholders or advisers make any representation or warranty as to, or accept any liability or responsibility in relation to, the adequacy, accuracy, reasonableness or completeness of the information provided as part of this document or any matter on which the information is based (including but not limited to loss or damage arising as a result of reliance by recipients on the information or any part of it). Any liabilities are hereby expressly disclaimed.



Rev	Date	Dm	Chk'd	App'd	Description
M01	08/05/2023	RB	RH	RS	ISSUE FOR PHASE 4: PLANNING

Client: **NTA**
 Údarás Náisiúnta Iompair
 National Transport Authority

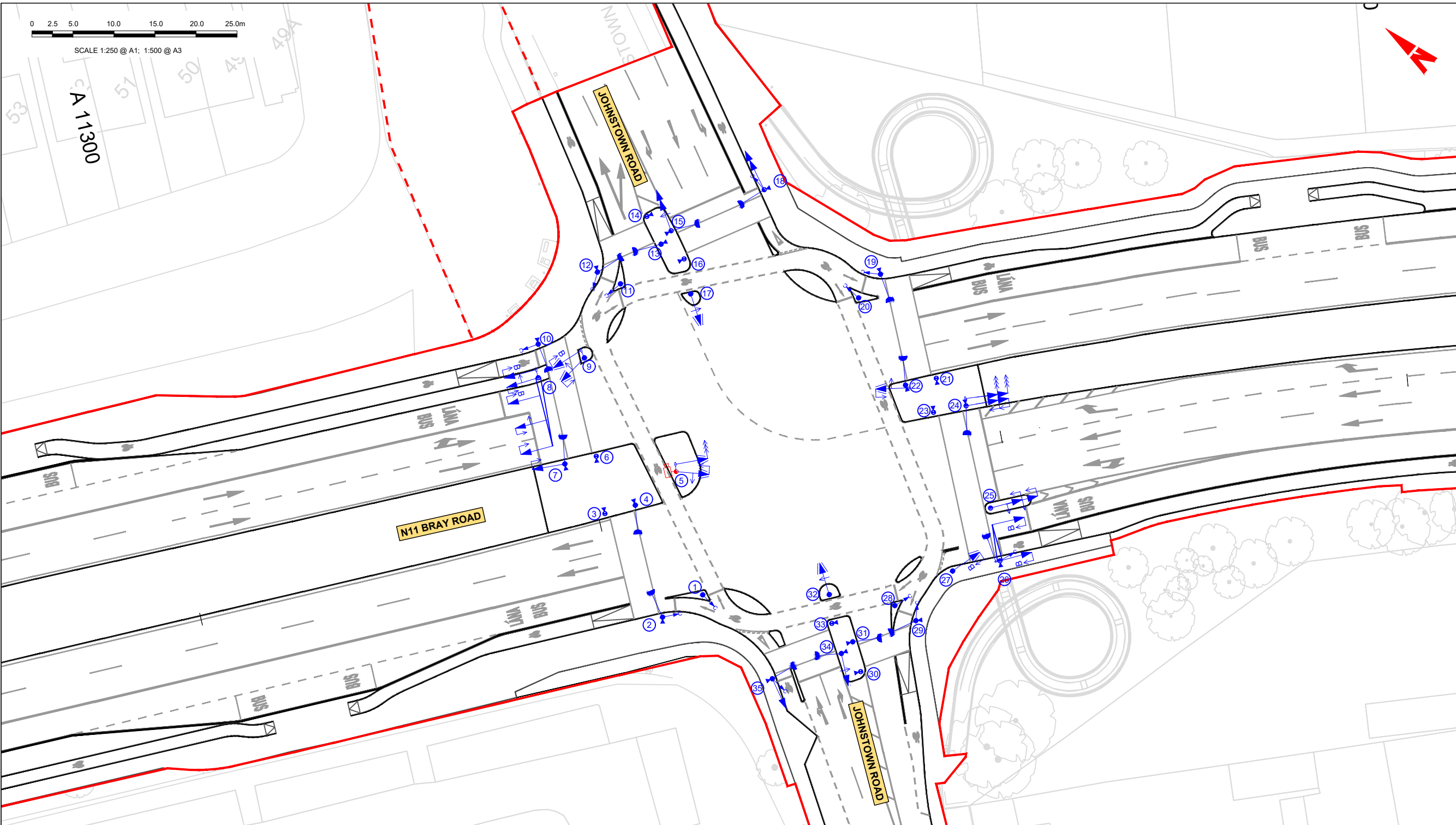
Engineering Designer: **Jacobs**

Date	Scale	Drawn	Checked	Approved
08/05/2023	1:250 @ A1 1:500 @ A3	RB	RH	RS
Project Code	Originator Code	QMS Code		
BCIDB	JAC			

Programme Title BUSCONNECTS DUBLIN CORE BUS CORRIDORS INFRASTRUCTURE WORKS				
Drawing Title BRAY TO CITY CENTRE CORE BUS CORRIDOR SCHEME JUNCTION SYSTEMS DESIGN N11 BRAY ROAD / CLONKEEN ROAD				
Drawing File Name BCIDB-JAC-TSM_SJ-0013_XX_00-DR-TR-0039	Sheet Number 39 of 60	Status A	Rev M01	

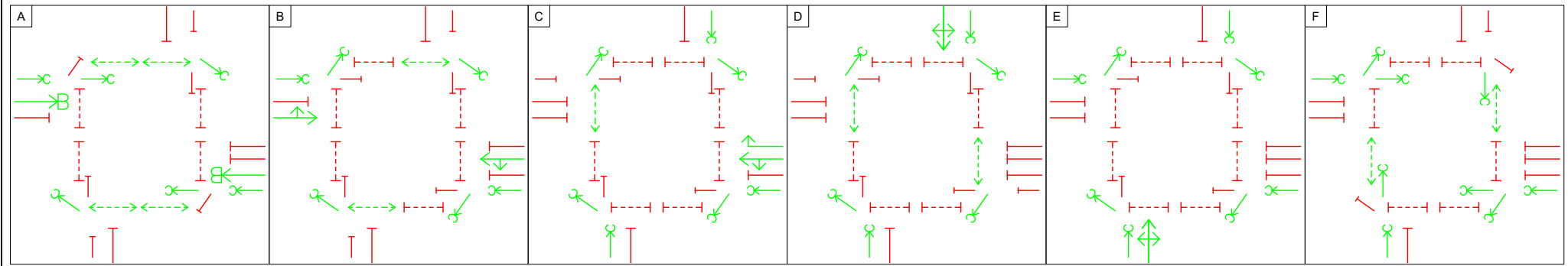
DO NOT SCALE USE FIGURED DIMENSIONS ONLY

C:\pwworking\jacobs_uk_highways_ssd\legintl_bayard\148470\BCIDB-JAC-TSM_SJ-0013_XX_00-DR-TR-0031.dwg



- LEGEND:**
- TRAFFIC SIGNAL HEADS:**
- RTS 001 PRIMARY
 - RTS 001 PRIMARY x2
 - RTS 002 PRIMARY
 - RTS 002 PRIMARY x2
 - RTS 002 PRIMARY
 - RTS 002 PRIMARY x2
 - RTS 002 SECONDARY
 - RTS 002 PRIMARY
 - RTS 002 SECONDARY
 - RTS 003 PRIMARY
 - RTS 003 PRIMARY x2
 - RTS 003 SECONDARY
 - RTS 003 PRIMARY
 - RTS 003 PRIMARY x2
 - RTS 003 SECONDARY
 - RTS 007 (LOW LEVEL) PRIMARY
 - RPC 004 PEDESTRIAN HEAD
- TRAFFIC SIGNAL EQUIPMENT:**
- POLE (STANDARD HEIGHT)
 - SMALL POLE
 - TALL POLE (TRAFFIC SIGNALS)
 - MAST ARM (VARIABLE LENGTH)
 - TALL POLE (CCTV/TRAFFIC SIGNALS)
 - POLE NUMBER
 - PUSH BUTTON UNIT
 - PAN / TILT / ZOOM CCTV CAMERA
- GENERAL:**
- SITE BOUNDARY LINE
 - TEMPORARY LAND ACQUISITION

INDICATIVE METHOD OF CONTROL



Disclaimer

a. © National Transport Authority (NTA) 2022. This drawing is confidential and the copyright in it is owned by NTA. This drawing must not be either loaned, copied or otherwise reproduced in whole or in part for use for any purpose without the prior permission of NTA.

b. This drawing is to be used for the design element identified in the titleblock. Other information shown is to be considered indicative only. The drawing is to be read in conjunction with all other relevant design drawings.

c. O.S. data used for plans are printed under © Ordnance Survey Ireland Government of Ireland. All rights reserved. Licence Number 2022/OSI_NMA_180 National Transport Authority. All elevations are in metres and relate to OSi Geoid Model (OSGM15) Mean Head. All Co-ordinates are in Irish Transverse Mercator Grid (ITM) as defined by OSI active local GPS station.

d. Information concerning the position of apparatus shown on this drawing is based on drawings supplied by the utility owners and/or the utility works contractor, whilst every care has been taken as appropriate and are intended for general guidance only and no representation is made by the NTA as to the accuracy, completeness, sufficiency or otherwise of this information. The information contained herein does not purport to be comprehensive or final as the apparatus is subject to being altered and/or superseded. Recipients should not rely on this information. Any liabilities are hereby expressly disclaimed.

e. The information contained herein has been provided by the NTA but does not purport to be comprehensive or final. Recipients should not rely on the information. Neither the NTA nor any of its directors, officers, employees, agents, stakeholders or advisers make any representation or warranty as to, or accept any liability or responsibility in relation to, the adequacy, accuracy, reasonableness or completeness of the information provided as part of this document or any matter on which the information is based (including but not limited to loss or damage arising as a result of reliance by recipients on the information or any part of it). Any liabilities are hereby expressly disclaimed.

Rev	Date	Dm	Chk'd	App'd	Description
M01	08/05/2023	RB	RH	RS	ISSUE FOR PHASE 4: PLANNING

Client: **NTA** Ódarás Náisiúnta Iompair National Transport Authority

Engineering Designer: **Jacobs**

Date	Scale	Drawn	Checked	Approved
08/05/2023	1:250 @ A1 1:500 @ A3	RB	RH	RS
Project Code	Originator Code	QMS Code		
BCIDB	JAC			

Programme Title			
BUSCONNECTS DUBLIN			
CORE BUS CORRIDORS INFRASTRUCTURE WORKS			
Drawing Title			
BRAY TO CITY CENTRE CORE BUS CORRIDOR SCHEME			
JUNCTION SYSTEMS DESIGN			
N11 BRAY ROAD / JOHNSTOWN ROAD			
Drawing File Name	Sheet Number	Status	Rev
BCIDB-JAC-TSM_SJ_-0013_XX_00-DR-TR-0040	40 of 60	A	M01

DO NOT SCALE USE FIGURED DIMENSIONS ONLY

C:\pwworking\jacobs_uk_highways_ssd\legintl_bayrd2d\148470\BCIDB-JAC-TSM_SJ_-0013_XX_00-DR-TR-0040.dwg

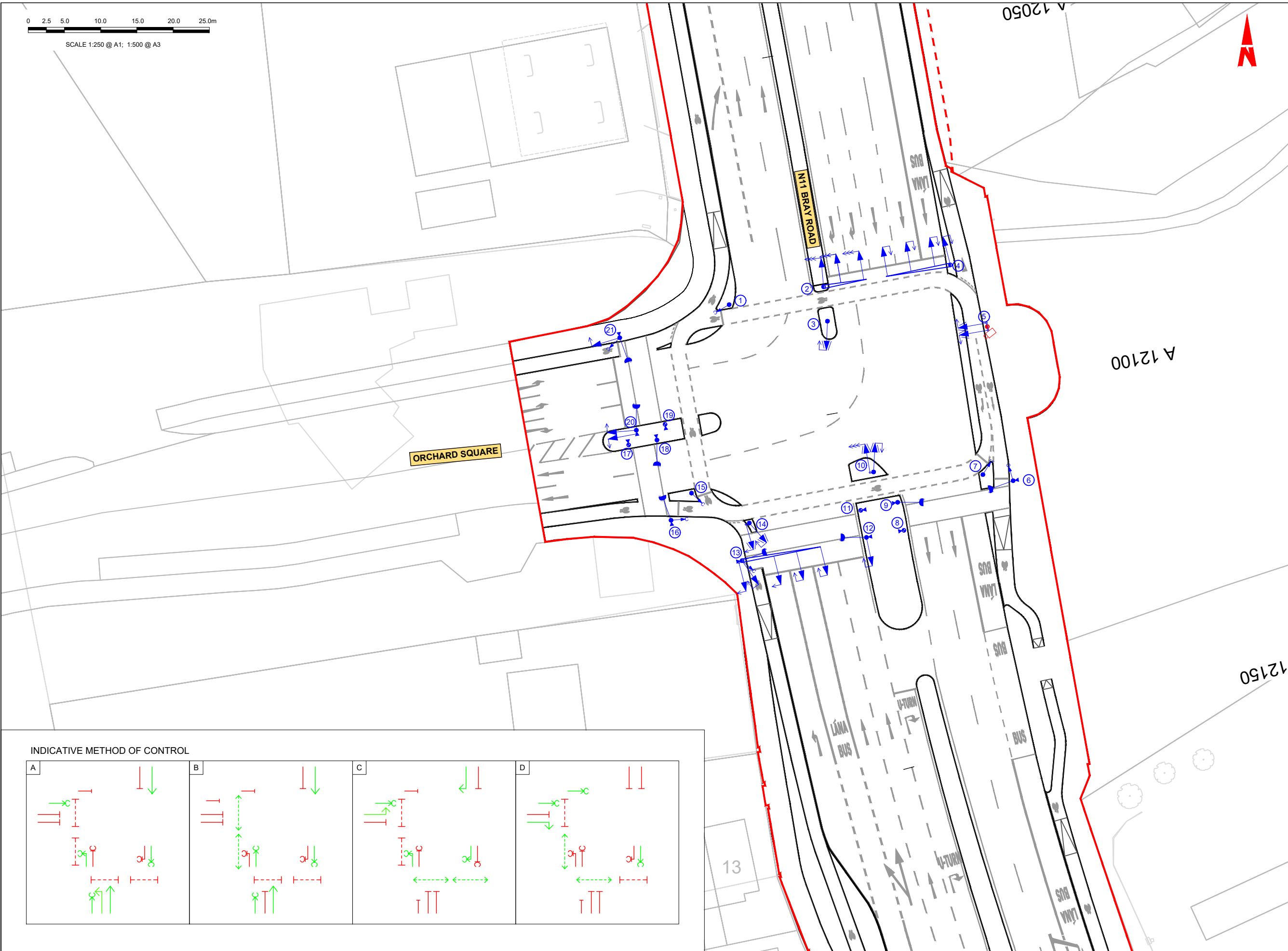
0 2.5 5.0 10.0 15.0 20.0 25.0m

SCALE 1:250 @ A1; 1:500 @ A3

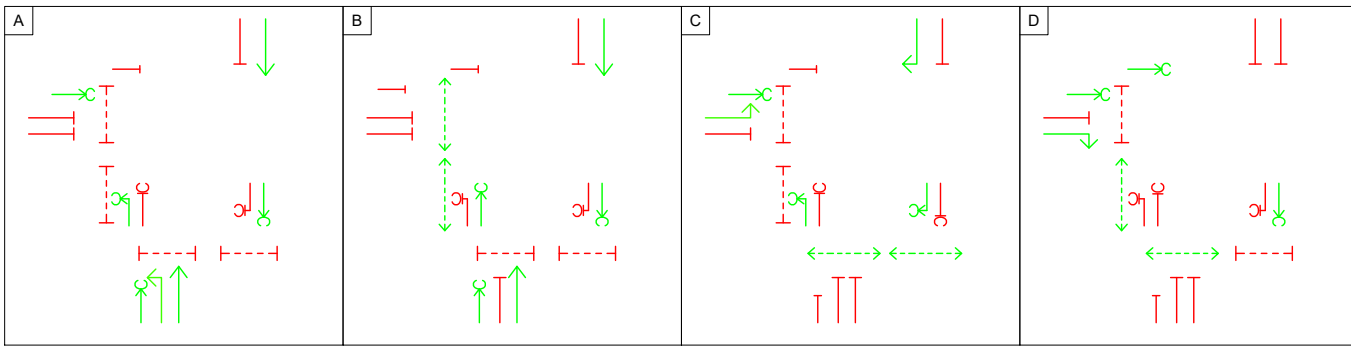


LEGEND:

- TRAFFIC SIGNAL HEADS:**
- RTS 002 PRIMARY
 - RTS 002 SECONDARY
 - RTS 002 PRIMARY
 - RTS 002 SECONDARY
 - RTS 002 PRIMARY
 - RTS 002 SECONDARY
 - RTS 002 PRIMARY
 - RTS 002 SECONDARY
 - RTS 007 (LOW LEVEL) PRIMARY
 - RPC 004 PEDESTRIAN HEAD
- TRAFFIC SIGNAL EQUIPMENT:**
- POLE (STANDARD HEIGHT)
 - SMALL POLE
 - TALL POLE (TRAFFIC SIGNALS)
 - MAST ARM (VARIABLE LENGTH)
 - TALL POLE (CCTV/TRAFFIC SIGNALS)
 - POLE NUMBER
 - PUSH BUTTON UNIT
 - PAN / TILT / ZOOM CCTV CAMERA
- GENERAL:**
- SITE BOUNDARY LINE
 - TEMPORARY LAND ACQUISITION



INDICATIVE METHOD OF CONTROL



Disclaimer

a. © National Transport Authority (NTA) 2022. This drawing is confidential and the copyright in it is owned by NTA. This drawing must not be either loaned, copied or otherwise reproduced in whole or in part or used for any purpose without the prior permission of NTA.

b. This drawing is to be used for the design element identified in the titleblock. Other information shown is to be considered indicative only. The drawing is to be read in conjunction with all other relevant design drawings.

c. O.S. data used for plans are printed under © Ordnance Survey Ireland Government of Ireland. All rights reserved. Licence Number 2022/OSI_NMA_180 National Transport Authority. All elevations are in metres and relate to OSi Geoid Model (OSGM15) Mean Head. All Co-ordinates are in Irish Transverse Mercator Grid (ITM) as defined by OSI active local GPS station.

d. Information concerning the position of apparatus shown on this drawing is based on drawings supplied by the utility owners and/or the utility works contractor, whilst every care has been taken as appropriate and are intended for general guidance only and no representation is made by the NTA as to the accuracy, completeness, sufficiency or otherwise of this information. The information contained herein does not purport to be comprehensive or final as the apparatus is subject to being altered and/or superseded. Recipients should not rely on this information. Any liabilities are hereby expressly disclaimed.

e. The information contained herein has been provided by the NTA but does not purport to be comprehensive or final. Recipients should not rely on the information. Neither the NTA nor any of its directors, officers, employees, agents, stakeholders or advisers make any representation or warranty as to, or accept any liability or responsibility in relation to, the adequacy, accuracy, reasonableness or completeness of the information provided as part of this document or any matter on which the information is based (including but not limited to loss or damage arising as a result of reliance by recipients on the information or any part of it). Any liabilities are hereby expressly disclaimed.



Rev	Date	Dm	Chk'd	App'd	Description
M01	08/05/2023	RB	RH	RS	ISSUE FOR PHASE 4: PLANNING

Client: **NTA** (Údarás Náisiúnta Iompair National Transport Authority)

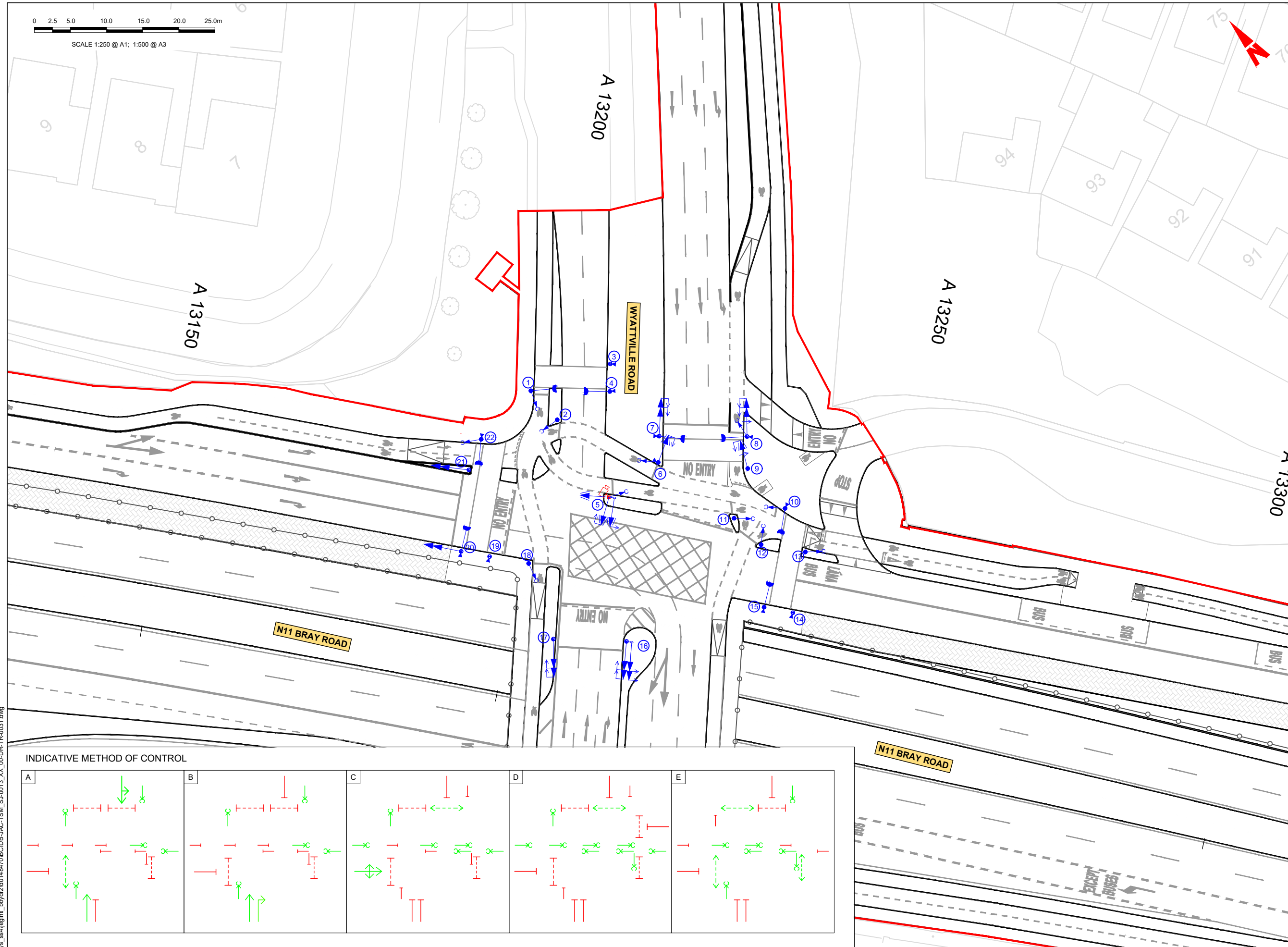
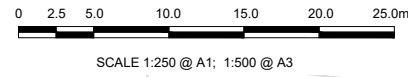
Engineering Designer: **Jacobs**

Date	Scale	Drawn	Checked	Approved
08/05/2023	1:250 @ A1 1:500 @ A3	RB	RH	RS
Project Code	Originator Code	OMS Code		
BCIDB	JAC			

Programme Title			
BUSCONNECTS DUBLIN			
CORE BUS CORRIDORS INFRASTRUCTURE WORKS			
Drawing Title			
BRAY TO CITY CENTRE CORE BUS CORRIDOR SCHEME JUNCTION SYSTEMS DESIGN N11 BRAY ROAD / CHERRYWOOD JUNCTION			
Drawing File Name	Sheet Number	Status	Rev
BCIDB-JAC-TSM_SJ_-0013_XX_00-DR-TR-0041	41 of 60	A	M01

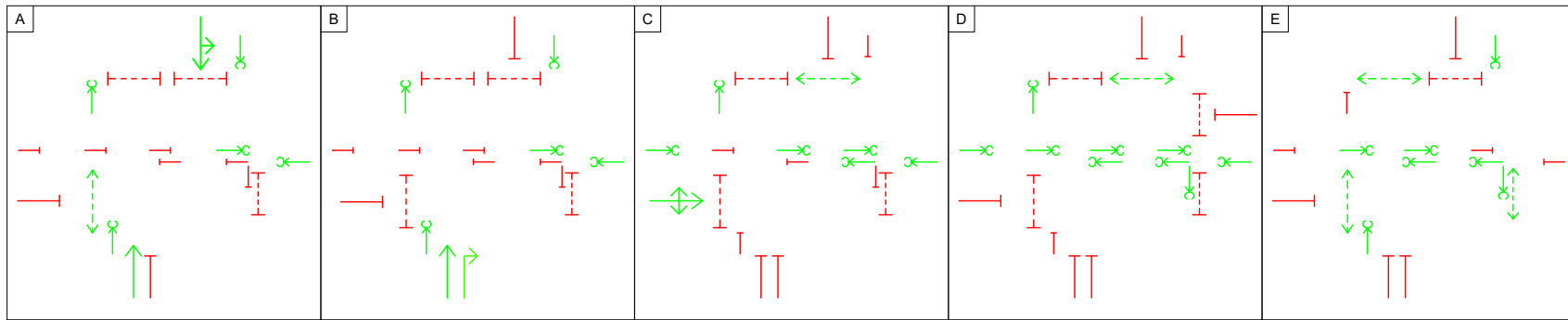
DO NOT SCALE USE FIGURED DIMENSIONS ONLY

C:\pwworking\jacobs_uk_highways_asd\legintl_bov\2023\08\05\148470\BCIDB-JAC-TSM_SJ_-0013_XX_00-DR-TR-0041.dwg



- LEGEND:**
- TRAFFIC SIGNAL HEADS:**
- RTS 001 PRIMARY
 - RTS 001 SECONDARY
 - RTS 001 PRIMARY x2
 - RTS 002 PRIMARY
 - RTS 002 SECONDARY
 - RTS 002 PRIMARY x2
 - RTS 002 SECONDARY
 - RTS 002 PRIMARY x2
 - RTS 002 SECONDARY
 - RTS 003 PRIMARY x2
 - RTS 003 SECONDARY
 - RTS 007 (LOW LEVEL) PRIMARY
 - RTS 007 CYCLE HEAD
 - RPC 004 PEDESTRIAN HEAD
- TRAFFIC SIGNAL EQUIPMENT:**
- POLE (STANDARD HEIGHT)
 - SMALL POLE
 - TALL POLE (TRAFFIC SIGNALS)
 - MAST ARM (VARIABLE LENGTH)
 - TALL POLE (CCTV/TRAFFIC SIGNALS)
 - POLE NUMBER
 - PUSH BUTTON UNIT
 - PAN / TILT / ZOOM CCTV CAMERA
- GENERAL:**
- SITE BOUNDARY LINE
 - TEMPORARY LAND ACQUISITION

INDICATIVE METHOD OF CONTROL



C:\pwworking\jacobs_uk_highways_asd\legintl_bovard\20148470\BCIDB-JAC-TSM_SJ-0013_XX_00-DR-TR-00031.dwg

Disclaimer

a. © National Transport Authority (NTA) 2022. This drawing is confidential and the copyright in it is owned by NTA. This drawing must not be either loaned, copied or otherwise reproduced in whole or in part or used for any purpose without the prior permission of NTA.

b. This drawing is to be used for the design element identified in the title block. Other information shown is to be considered indicative only. The drawing is to be read in conjunction with all other relevant design drawings.

c. O.S. data used for plans are printed under © Ordnance Survey Ireland Government of Ireland. All rights reserved. Licence Number 2022/OSI_NMA_180 National Transport Authority. All elevations are in metres and relate to OSi Geoid Model (OSGM15) Mean Head. All Co-ordinates are in Irish Transverse Mercator Grid (ITM) as defined by OSi active local GPS station.

d. Information concerning the position of apparatus shown on this drawing is based on drawings supplied by the utility owners and/or the utility works contractor, whilst every care has been taken in the preparation of this drawing, positions should be taken as approximate and are intended for general guidance only and no representation is made by the NTA as to the accuracy, completeness, sufficiency or otherwise of this drawing and the position of the apparatus. The information contained herein does not purport to be comprehensive or final as the apparatus is subject to being altered and/or superseded. Recipients should not rely on this information. Any liabilities are hereby expressly disclaimed.

e. The information contained herein has been provided by the NTA but does not purport to be comprehensive or final. Recipients should not rely on the information. Neither the NTA nor any of its directors, officers, employees, agents, stakeholders or advisers make any representation or warranty as to, or accept any liability or responsibility in relation to, the adequacy, accuracy, reasonableness or completeness of the information provided as part of this document or any matter on which the information is based (including but not limited to loss or damage arising as a result of reliance by recipients on the information or any part of it). Any liabilities are hereby expressly disclaimed.



Rev	Date	Drn	Chk'd	App'd	Description
M01	08/05/2023	RB	RH	RS	ISSUE FOR PHASE 4: PLANNING

Client: **NTA**
 Údarás Náisiúnta Iompair
 National Transport Authority

Engineering Designer: **Jacobs**

Date	Scale	Drawn	Checked	Approved
08/05/2023	1:250 @ A1 1:500 @ A3	RB	RH	RS
Project Code	Originator Code	OMS Code		
BCIDB	JAC			

Programme Title BUSCONNECTS DUBLIN CORE BUS CORRIDORS INFRASTRUCTURE WORKS			
Drawing Title BRAY TO CITY CENTRE CORE BUS CORRIDOR SCHEME JUNCTION SYSTEMS DESIGN N11 BRAY ROAD SOUTHBOUND SLIP ROADS			
Drawing File Name BCIDB-JAC-TSM_SJ-0013_XX_00-DR-TR-0042	Sheet Number 42 of 60	Status A	Rev M01

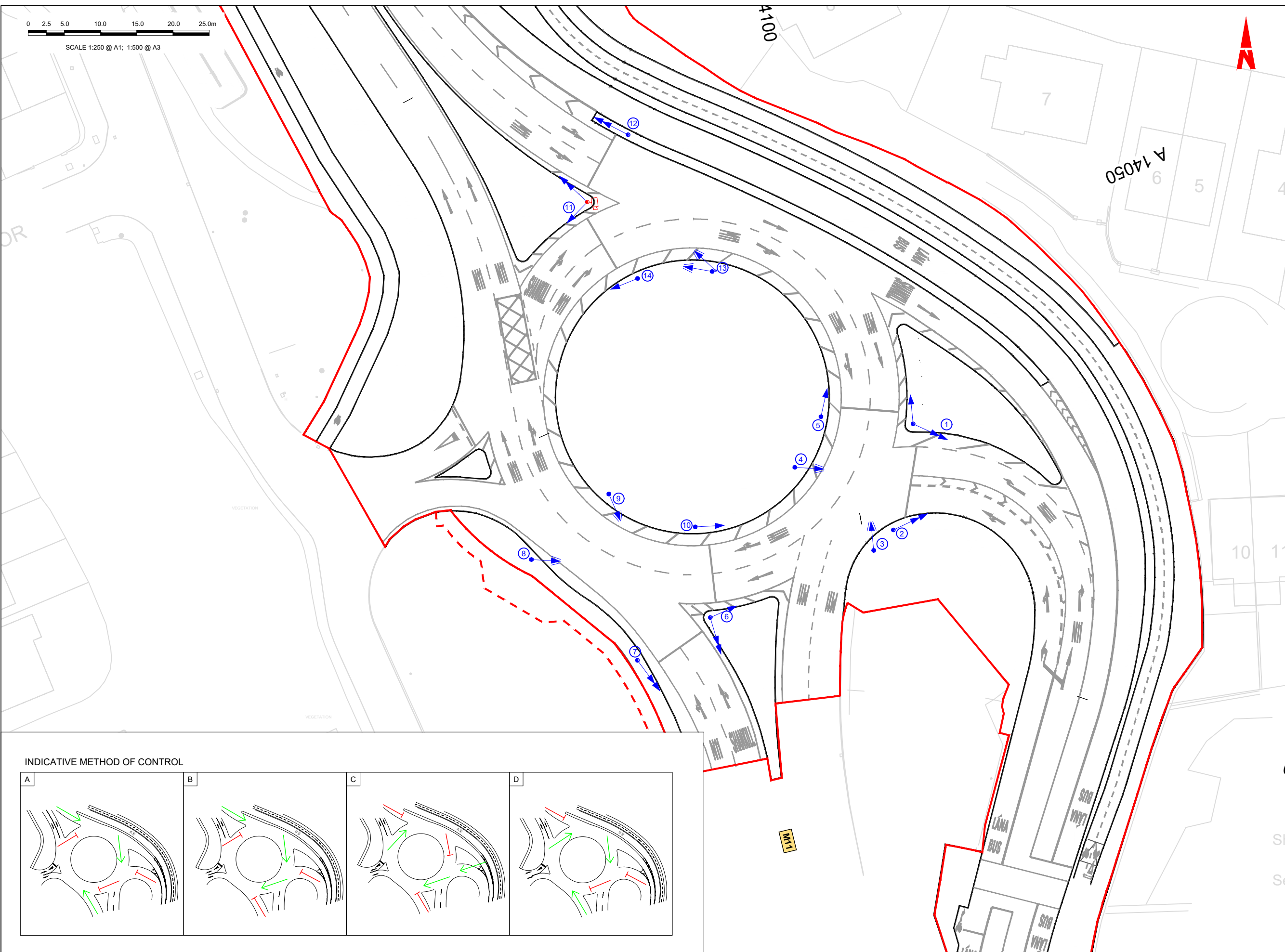
DO NOT SCALE USE FIGURED DIMENSIONS ONLY

0 2.5 5.0 10.0 15.0 20.0 25.0m

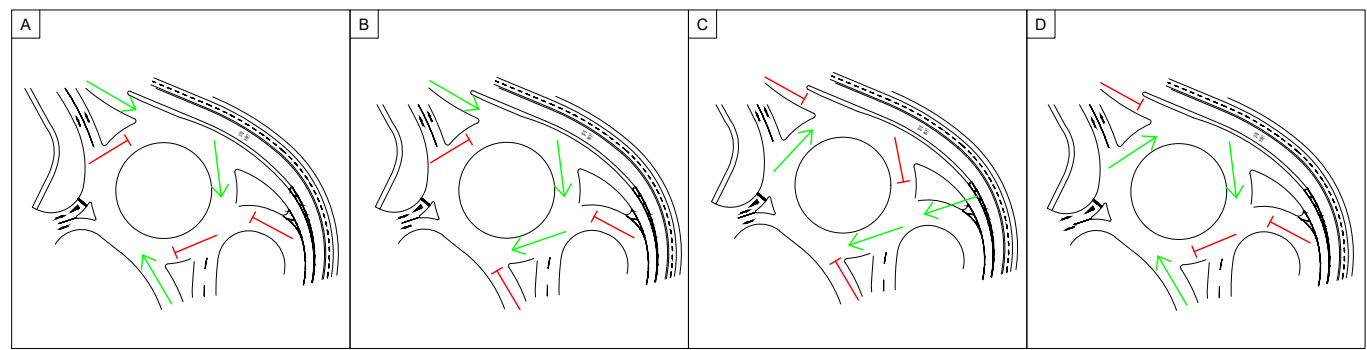
SCALE 1:250 @ A1; 1:500 @ A3



- LEGEND:**
- TRAFFIC SIGNAL HEADS:**
- RTS 001 PRIMARY
 - RTS 001 SECONDARY
 - RTS 001 PRIMARY x2
 - RTS 007 (LOW LEVEL) PRIMARY
 - RPC 004 PEDESTRIAN HEAD
- TRAFFIC SIGNAL EQUIPMENT:**
- POLE (STANDARD HEIGHT)
 - TALL POLE (TRAFFIC SIGNALS)
 - MAST ARM (VARIABLE LENGTH)
 - TALL POLE (CCTV/TRAFFIC SIGNALS)
 - POLE NUMBER
 - PUSH BUTTON UNIT
 - PAN / TILT / ZOOM CCTV CAMERA
- GENERAL:**
- SITE BOUNDARY LINE
 - TEMPORARY LAND ACQUISITION



INDICATIVE METHOD OF CONTROL



Disclaimer

a. © National Transport Authority (NTA) 2022. This drawing is confidential and the copyright in it is owned by NTA. This drawing must not be either loaned, copied or otherwise reproduced in whole or in part or used for any purpose without the prior permission of NTA.

b. This drawing is to be used for the design element identified in the titleblock. Other information shown is to be considered indicative only. The drawing is to be read in conjunction with all other relevant design drawings.

c. O.S. data used for plans are printed under © Ordnance Survey Number 2022/OSI_NMA_180 National Transport Authority. All elevations are in metres and relate to OSi Geoid Model (OSGM15) Mean Head. All Co-ordinates are in Irish Transverse Mercator Grid (ITM) as defined by OSi active local GPS station.

d. Information concerning the position of apparatus shown on this drawing is based on drawings supplied by the utility owners and/or the utility works contractor, whilst every care has been taken as appropriate and are intended for general guidance only and no representation is made by the NTA as to the accuracy, completeness, sufficiency or otherwise of this drawing and the position of the apparatus. The information contained herein does not purport to be comprehensive or final as the apparatus is subject to being altered and/or superseded. Recipients should not rely on this information. Any liabilities are hereby expressly disclaimed.

e. The information contained herein has been provided by the NTA but does not purport to be comprehensive or final. Recipients should not rely on the information. Neither the NTA nor any of its directors, officers, employees, agents, stakeholders or advisers make any representation or warranty as to, or accept any liability or responsibility in relation to, the adequacy, accuracy, reasonableness or completeness of the information provided as part of this document or any matter on which the information is based (including but not limited to loss or damage arising as a result of reliance by recipients on the information or any part of it). Any liabilities are hereby expressly disclaimed.



Rev	Date	Dm	Chk'd	App'd	Description
M01	08/05/2023	RB	RH	RS	ISSUE FOR PHASE 4: PLANNING

Client: **NTA** Ódarás Náisiúnta Iompair National Transport Authority

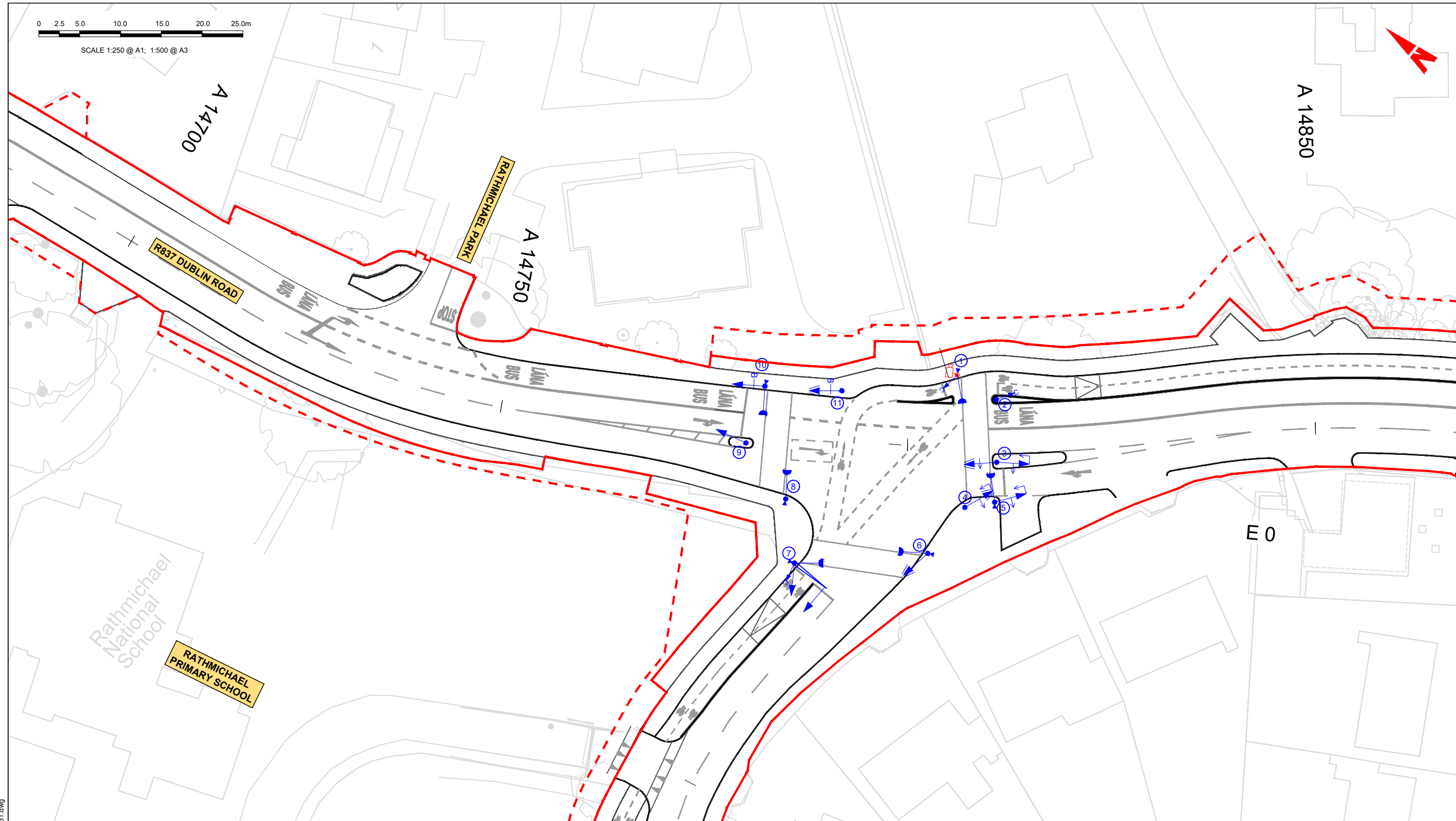
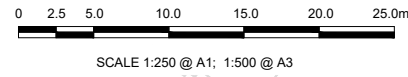
Engineering Designer: **Jacobs**

Date	Scale	Drawn	Checked	Approved
08/05/2023	1:250 @ A1 1:500 @ A3	RB	RH	RS
Project Code	Originator Code	QMS Code		
BCIDB	JAC			

Programme Title				
BUSCONNECTS DUBLIN				
CORE BUS CORRIDORS INFRASTRUCTURE WORKS				
Drawing Title				
BRAY TO CITY CENTRE CORE BUS CORRIDOR SCHEME				
JUNCTION SYSTEMS DESIGN				
LOUGHLINSTOWN ROUNDABOUT				
Drawing File Name	Sheet Number	Status	Rev	
BCIDB-JAC-TSM_SJ-0013_XX_00-DR-TR-0043	43 of 60	A	M01	

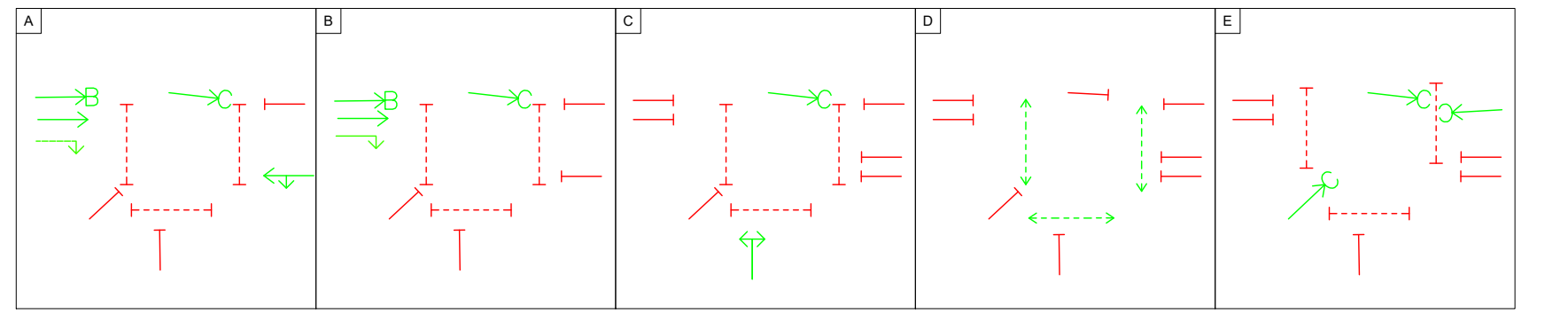
DO NOT SCALE USE FIGURED DIMENSIONS ONLY

C:\pwworking\jacobs_uk_highways_asd\jgintl_bov\2023\148470\BCIDB-JAC-TSM_SJ-0013_XX_00-DR-TR-0043.dwg



- LEGEND:**
- TRAFFIC SIGNAL HEADS:**
- RTS 001 PRIMARY
 - RTS 001 SECONDARY
 - RTS 003 PRIMARY
 - RTS 003 SECONDARY
 - RTS 003 PRIMARY
 - RTS 003 SECONDARY
 - RTS 003 SECONDARY
 - RTS 007 (LOW LEVEL) PRIMARY
 - RPC 004 PEDESTRIAN HEAD
- TRAFFIC SIGNAL EQUIPMENT:**
- POLE (STANDARD HEIGHT)
 - SMALL POLE
 - TALL POLE (TRAFFIC SIGNALS)
 - MAST ARM (VARIABLE LENGTH)
 - TALL POLE (CCTV/TRAFFIC SIGNALS)
 - POLE NUMBER
 - PUSH BUTTON UNIT
 - PAN / TILT / ZOOM CCTV CAMERA
- GENERAL:**
- SITE BOUNDARY LINE
 - TEMPORARY LAND ACQUISITION

INDICATIVE METHOD OF CONTROL



Disclaimer

a. © National Transport Authority (NTA) 2022. This drawing is confidential and the copyright in it is owned by NTA. This drawing must not be either loaned, copied or otherwise reproduced in whole or in part for use for any purpose without the prior permission of NTA.

b. This drawing is to be used for the design element identified in the titleblock. Other information shown is to be considered indicative only. The drawing is to be read in conjunction with all other relevant design drawings.

c. O.S. data used for plans are printed under © Ordnance Survey Ireland Government of Ireland. All rights reserved. Licence Number 2022/OSI_NMA_160 National Transport Authority. All elevations are in metres and relate to OSi Geoid Model (OSGM15) Mean Head. All Co-ordinates are in Irish Transverse Mercator Grid (ITM) as defined by OSi active local GPS station.

d. Information concerning the position of apparatus shown on this drawing is based on drawings supplied by the utility owners and/or the utility works contractor, whilst every care has been taken in the preparation of this drawing, positions should be taken as appropriate and are intended for general guidance only and no representation is made by the NTA as to the accuracy, completeness, sufficiency or otherwise of this drawing and the position of the apparatus. The information contained herein does not purport to be comprehensive or final as the apparatus is subject to being altered and/or superseded. Recipients should not rely on this information. Any liabilities are hereby expressly disclaimed.

e. The information contained herein has been provided by the NTA but does not purport to be comprehensive or final. Recipients should not rely on the information. Neither the NTA nor any of its directors, officers, employees, agents, stakeholders or advisers make any representation or warranty as to, or accept any liability or responsibility in relation to, the adequacy, accuracy, reasonableness or completeness of the information provided as part of this document or any matter on which the information is based (including but not limited to loss or damage arising as a result of reliance by recipients on the information or any part of it). Any liabilities are hereby expressly disclaimed.



Rev	Date	Dm	Chk'd	App'd	Description
M01	08/05/2023	RB	RH	RS	ISSUE FOR PHASE 4: PLANNING

Client: **NTA** Údarás Náisiúnta Iompair National Transport Authority

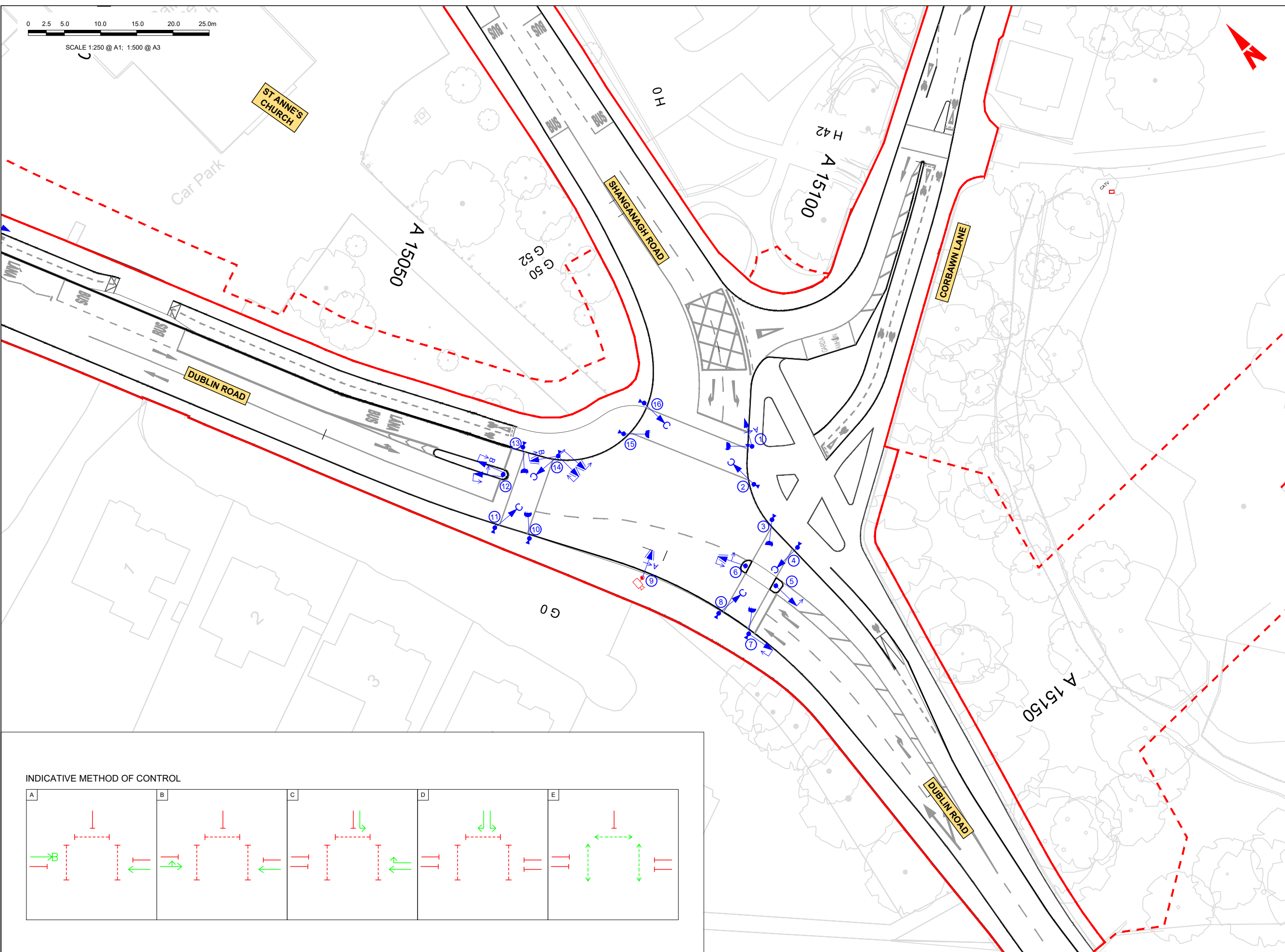
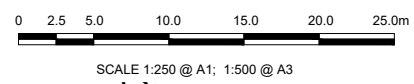
Engineering Designer: **Jacobs**

Date	Scale	Drawn	Checked	Approved
08/05/2023	1:250 @ A1 1:500 @ A3	RB	RH	RS
Project Code	Originator Code	QMS Code		
BCIDB	JAC			

Programme Title BUSCONNECTS DUBLIN CORE BUS CORRIDORS INFRASTRUCTURE WORKS				
Drawing Title BRAY TO CITY CENTRE CORE BUS CORRIDOR SCHEME JUNCTION SYSTEMS DESIGN DUBLIN ROAD / STONEBRIDGE ROAD				
Drawing File Name	Sheet Number	Status	Rev	
BCIDB-JAC-TSM_SJ_-0013_XX_00-DR-TR-0044	44 of 60	A	M01	

DO NOT SCALE USE FIGURED DIMENSIONS ONLY

C:\pwworking\jacobs_uk_highways_asd\legintl_bayard\148470\BCIDB-JAC-TSM_SJ_-0013_XX_00-DR-TR-0044.dwg



LEGEND:

TRAFFIC SIGNAL HEADS:

- RTS 002 PRIMARY
- RTS 002 SECONDARY
- RTS 002 PRIMARY
- RTS 002 SECONDARY
- RTS 002 PRIMARY
- RTS 002 SECONDARY
- RTS 003 PRIMARY
- RTS 003 SECONDARY
- RTS 003 PRIMARY
- RTS 003 SECONDARY
- RTS 007 CYCLE HEAD
- RPC 004 PEDESTRIAN HEAD

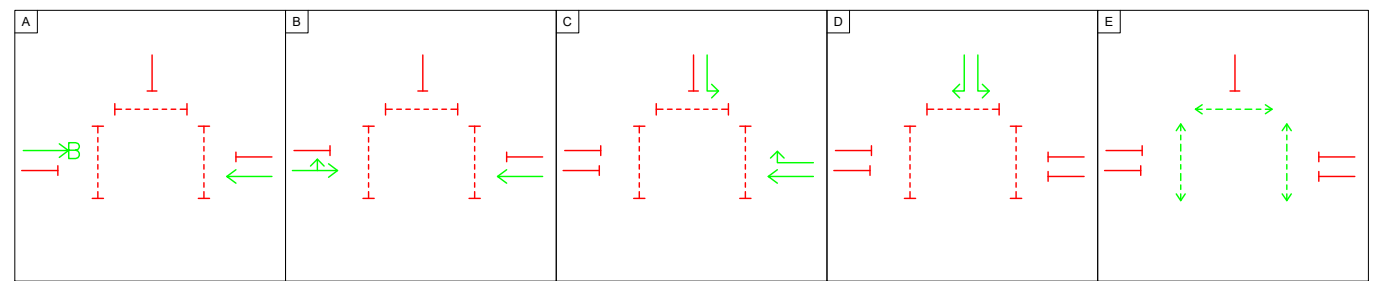
TRAFFIC SIGNAL EQUIPMENT:

- POLE (STANDARD HEIGHT)
- SMALL POLE
- TALL POLE (TRAFFIC SIGNALS)
- MAST ARM (VARIABLE LENGTH)
- TALL POLE (CCTV/TRAFFIC SIGNALS)
- POLE NUMBER
- PUSH BUTTON UNIT
- PAN / TILT / ZOOM CCTV CAMERA

GENERAL:

- SITE BOUNDARY LINE
- TEMPORARY LAND ACQUISITION

INDICATIVE METHOD OF CONTROL



Disclaimer

a. © National Transport Authority (NTA) 2022. This drawing is confidential and the copyright in it is owned by NTA. This drawing must not be either loaned, copied or otherwise reproduced in whole or in part or used for any purpose without the prior permission of NTA.

b. This drawing is to be used for the design element identified in the titleblock. Other information shown is to be considered indicative only. The drawing is to be read in conjunction with all other relevant design drawings.

c. O.S. data used for plans are printed under © Ordnance Survey Ireland Government of Ireland. All rights reserved. Licence Number 2022/OSI_NMA_160 National Transport Authority. All elevations are in metres and relate to OSi Geoid Model (OSGM15) Mean Head. All Co-ordinates are in Irish Transverse Mercator Grid (ITM) as defined by OSi active local GPS station.

d. Information concerning the position of apparatus shown on this drawing is based on drawings supplied by the utility owners and/or the utility works contractor, whilst every care has been taken in the preparation of this drawing, positions should be taken as approximate and are intended for general guidance only and no representation is made by the NTA as to the accuracy, completeness, sufficiency or otherwise of this information. The information contained herein does not purport to be comprehensive or final as the apparatus is subject to being altered and/or superseded. Recipients should not rely on this information. Any liabilities are hereby expressly disclaimed.

e. The information contained herein has been provided by the NTA but does not purport to be comprehensive or final. Recipients should not rely on the information. Neither the NTA nor any of its directors, officers, employees, agents, stakeholders or advisers make any representation or warranty as to, or accept any liability or responsibility in relation to, the adequacy, accuracy, reasonableness or completeness of the information provided as part of this document or any matter on which the information is based (including but not limited to loss or damage arising as a result of reliance by recipients on the information or any part of it). Any liabilities are hereby expressly disclaimed.



Rev	Date	Dm	Chk'd	App'd	Description
M01	08/05/2023	RB	RH	RS	ISSUE FOR PHASE 4: PLANNING

Client: **NTA** Údarás Náisiúnta Iompair National Transport Authority

Engineering Designer: **Jacobs**

Date	Scale	Drawn	Checked	Approved
08/05/2023	1:250 @ A1 1:500 @ A3	RB	RH	RS

Project Code: BCIDB | Originator Code: JAC | OMS Code:

Programme Title: BUSCONNECTS DUBLIN			
CORE BUS CORRIDORS INFRASTRUCTURE WORKS			
Drawing Title: BRAY TO CITY CENTRE CORE BUS CORRIDOR SCHEME JUNCTION SYSTEMS DESIGN DUBLIN ROAD / SHANGANAGH ROAD / CORBAWN LANE			
Drawing File Name: BCIDB-JAC-TSM_SJ-0013_XX_00-DR-TR-0045	Sheet Number: 45 of 60	Status: A	Rev: M01

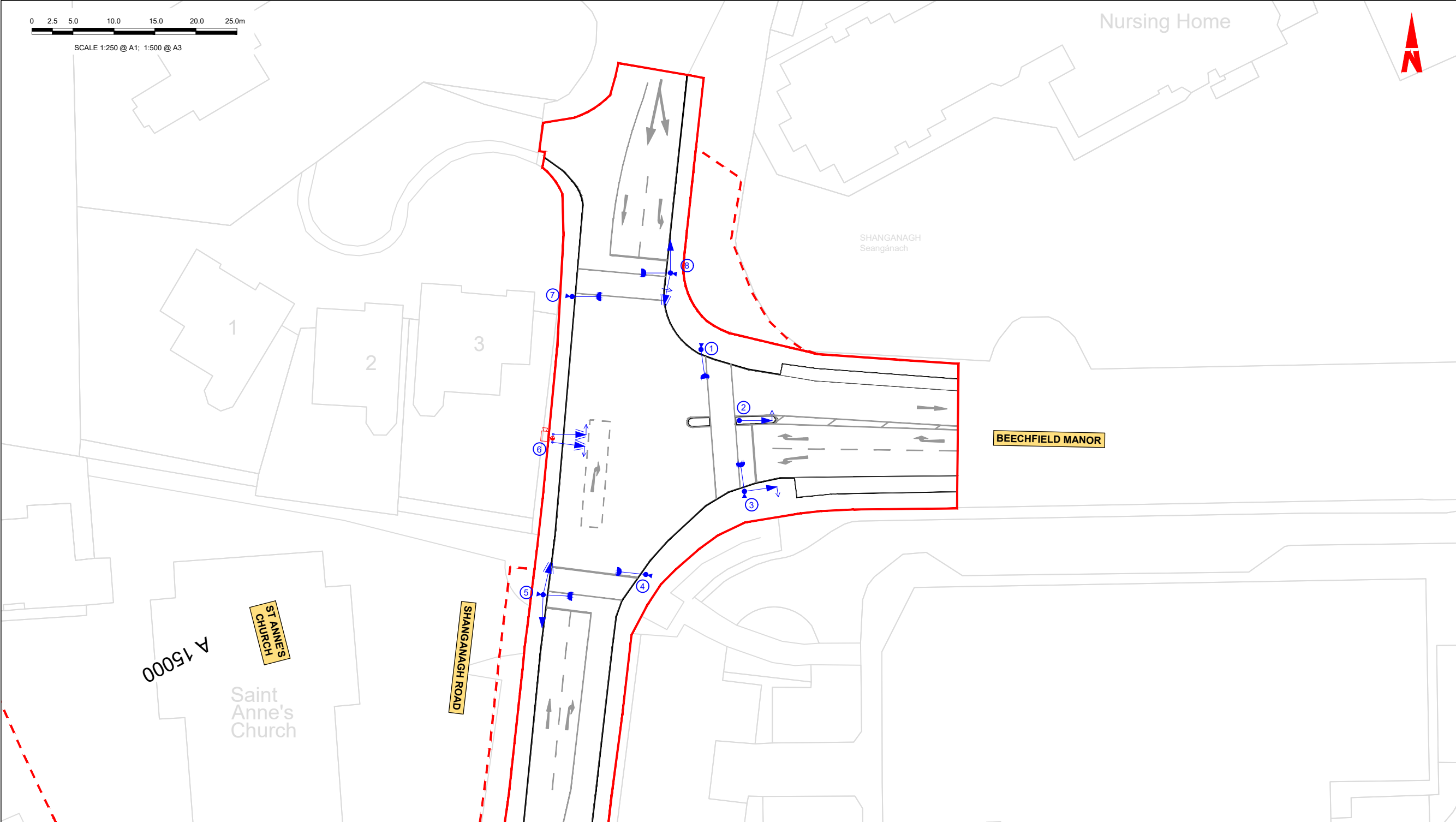
DO NOT SCALE USE FIGURED DIMENSIONS ONLY

C:\pwworking\jacobs_uk_highways_asd\legintl_bayard\2d\0148470\BCIDB-JAC-TSM_SJ-0013_XX_00-DR-TR-0045.dwg

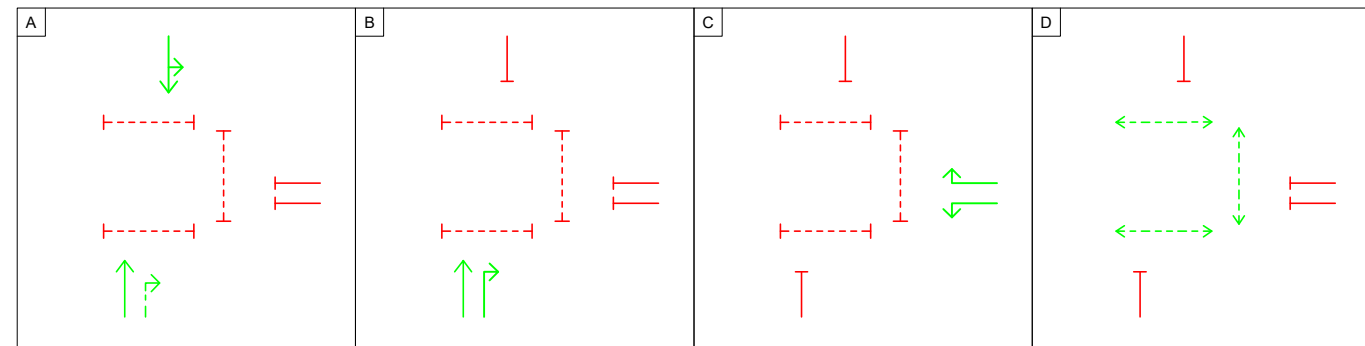
0 2.5 5.0 10.0 15.0 20.0 25.0m

SCALE 1:250 @ A1; 1:500 @ A3

- LEGEND:**
- TRAFFIC SIGNAL HEADS:**
- RTS 001 PRIMARY
 - RTS 001 SECONDARY
 - RTS 002 PRIMARY
 - RTS 002 SECONDARY
 - RTS 002 PRIMARY
 - RTS 002 SECONDARY
 - RTS 003 SECONDARY
 - RPC 004 PEDESTRIAN HEAD
- TRAFFIC SIGNAL EQUIPMENT:**
- POLE (STANDARD HEIGHT)
 - SMALL POLE
 - TALL POLE (TRAFFIC SIGNALS)
 - MAST ARM (VARIABLE LENGTH)
 - TALL POLE (CCTV/TRAFFIC SIGNALS)
 - POLE NUMBER
 - PUSH BUTTON UNIT
 - PAN / TILT / ZOOM CCTV CAMERA
- GENERAL:**
- SITE BOUNDARY LINE
 - TEMPORARY LAND ACQUISITION



INDICATIVE METHOD OF CONTROL



Disclaimer

a. © National Transport Authority (NTA) 2022. This drawing is confidential and the copyright in it is owned by NTA. This drawing must not be either loaned, copied or otherwise reproduced in whole or in part or used for any purpose without the prior permission of NTA.

b. This drawing is to be used for the design element identified in the titleblock. Other information shown is to be considered indicative only. The drawing is to be read in conjunction with all other relevant design drawings.

c. O.S. data used for plans are printed under © Ordnance Survey Ireland Government of Ireland. All rights reserved. Licence Number 2022/OSI_NMA_180 National Transport Authority. All elevations are in metres and relate to OSI Geoid Model (OSGM15) Mean Head. All Co-ordinates are in Irish Transverse Mercator Grid (ITM) as defined by OSI active local GPS station.

d. Information concerning the position of apparatus shown on this drawing is based on drawings supplied by the utility owners and/or the utility works contractor, whilst every care has been taken in the preparation of this drawing, positions should be taken as approximate and are intended for general guidance only and no representation is made by the NTA as to the accuracy, completeness, sufficiency or otherwise of this information. The information contained herein does not purport to be comprehensive or final as the apparatus is subject to being altered and/or superseded. Recipients should not rely on this information. Any liabilities are hereby expressly disclaimed.

e. The information contained herein has been provided by the NTA but does not purport to be comprehensive or final. Recipients should not rely on the information. Neither the NTA nor any of its directors, officers, employees, agents, stakeholders or advisers make any representation or warranty as to, or accept any liability or responsibility in relation to, the adequacy, accuracy, reasonableness or completeness of the information provided as part of this document or any matter on which the information is based (including but not limited to loss or damage arising as a result of reliance by recipients on the information or any part of it). Any liabilities are hereby expressly disclaimed.



Rev	Date	Dm	Chk'd	App'd	Description
M01	08/05/2023	RB	RH	RS	ISSUE FOR PHASE 4: PLANNING

Client: **NTA**
Údarás Náisiúnta Iompair
National Transport Authority

Engineering Designer: **Jacobs**

Date: 08/05/2023 | Scale: 1:250 @ A1, 1:500 @ A3 | Drawn: RB | Checked: RH | Approved: RS

Project Code: BCIDB | Originator Code: JAC | QMS Code:

Programme Title BUSCONNECTS DUBLIN CORE BUS CORRIDORS INFRASTRUCTURE WORKS			
Drawing Title BRAY TO CITY CENTRE CORE BUS CORRIDOR SCHEME JUNCTION SYSTEMS DESIGN SHANGANAGH ROAD / BEECHFIELD MANOR			
Drawing File Name BCIDB-JAC-TSM_SJ-0013_XX_00-DR-TR-0046	Sheet Number 46 of 60	Status A	Rev M01

DO NOT SCALE USE FIGURED DIMENSIONS ONLY

C:\pwworking\jacobs_uk_highways_asd\legintl_boyd\2d\148470\BCIDB-JAC-TSM_SJ-0013_XX_00-DR-TR-0046.dwg

0 2.5 5.0 10.0 15.0 20.0 25.0m

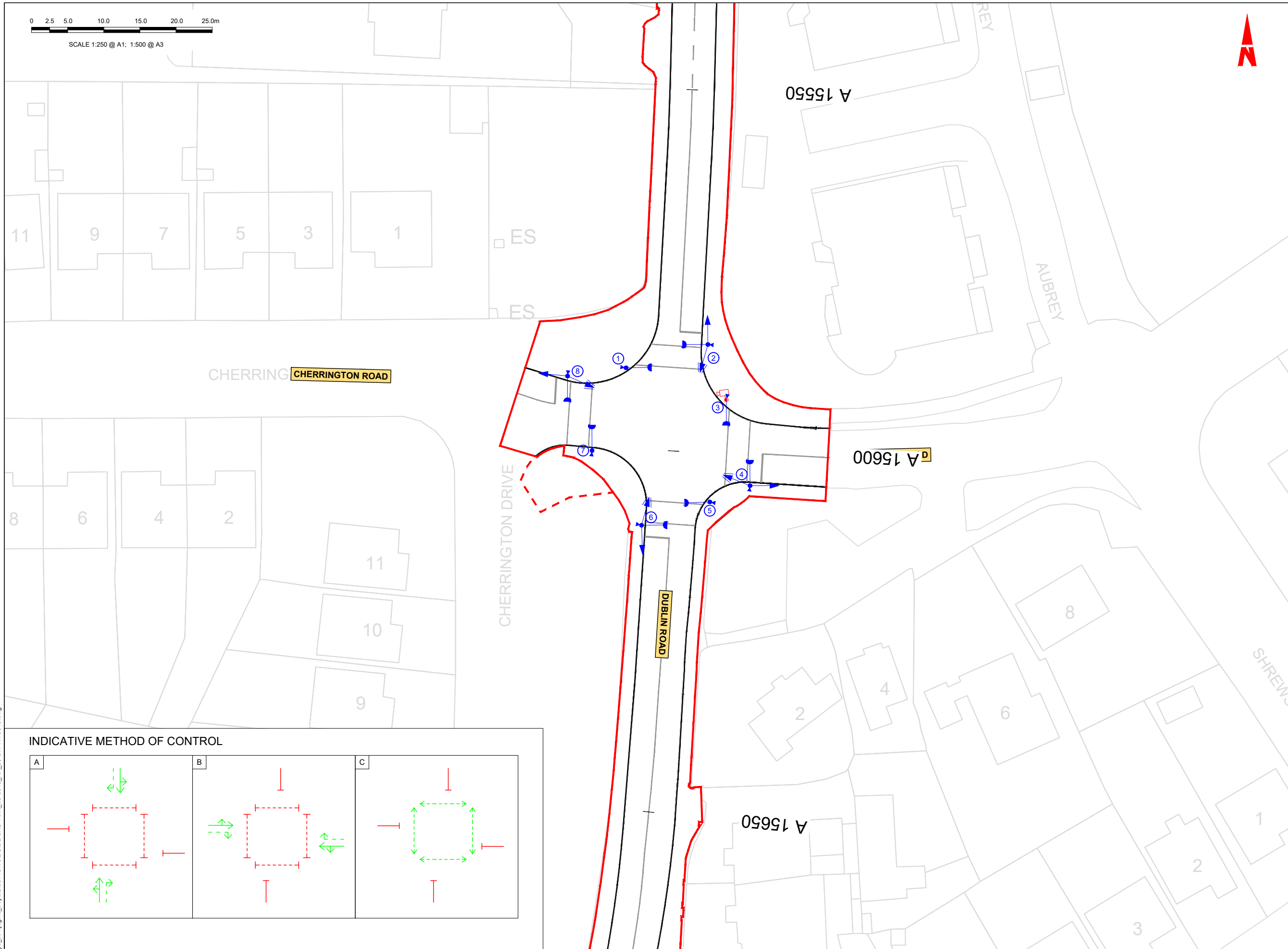
SCALE 1:250 @ A1; 1:500 @ A3



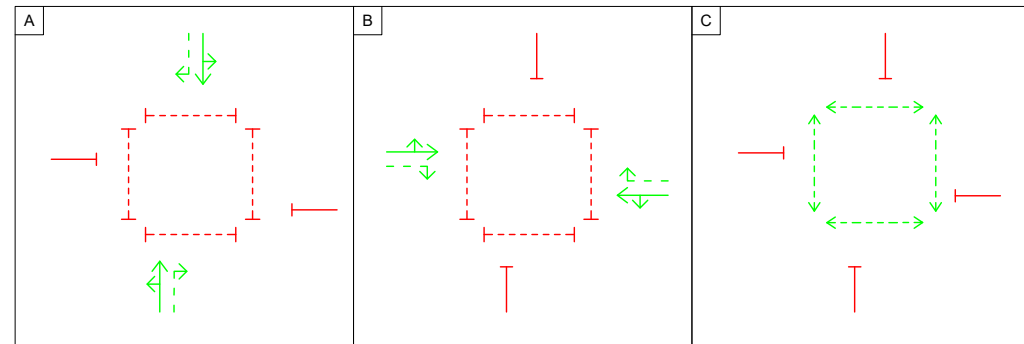
LEGEND:

- TRAFFIC SIGNAL HEADS:**
- RTS 001 PRIMARY
 - RTS 001 SECONDARY
 - RPC 004 PEDESTRIAN HEAD
- TRAFFIC SIGNAL EQUIPMENT:**
- POLE (STANDARD HEIGHT)
 - SMALL POLE
 - TALL POLE (TRAFFIC SIGNALS)
 - MAST ARM (VARIABLE LENGTH)
 - TALL POLE (CCTV/TRAFFIC SIGNALS)
 - POLE NUMBER
 - PUSH BUTTON UNIT
 - PAN / TILT / ZOOM CCTV CAMERA

- GENERAL:**
- SITE BOUNDARY LINE
 - TEMPORARY LAND ACQUISITION



INDICATIVE METHOD OF CONTROL



Disclaimer

a. © National Transport Authority (NTA) 2022. This drawing is confidential and the copyright in it is owned by NTA. This drawing must not be either loaned, copied or otherwise reproduced in whole or in part or used for any purpose without the prior permission of NTA.

b. This drawing is to be used for the design element identified in the titleblock. Other information shown is to be considered indicative only. The drawing is to be read in conjunction with all other relevant design drawings.

c. O.S. data used for plans are printed under © Ordnance Survey Ireland Government of Ireland. All rights reserved. Licence Number 2022/OSI_NMA_160 National Transport Authority. All elevations are in metres and relate to OSi Geoid Model (OSGM15) Mean Head. All Co-ordinates are in Irish Transverse Mercator Grid (ITM) as defined by OSI active local GPS station. Information concerning the position of apparatus shown on this drawing is based on drawings supplied by the utility owners and/or the utility works contractor, whilst every care has been taken in the preparation of this drawing, positions should be taken as approximate and are intended for general guidance only and no representation is made by the NTA as to the accuracy, completeness, sufficiency or otherwise of this drawing and the position of the apparatus. The information contained herein does not purport to be comprehensive or final as the apparatus is subject to being altered and/or superseded. Recipients should not rely on this information. Any liabilities are hereby expressly disclaimed.

e. The information contained herein has been provided by the NTA but does not purport to be comprehensive or final. Recipients should not rely on the information. Neither the NTA nor any of its directors, officers, employees, agents, stakeholders or advisers make any representation or warranty as to, or accept any liability or responsibility in relation to, the adequacy, accuracy, reasonableness or completeness of the information provided as part of this document or any matter on which the information is based (including but not limited to loss or damage arising as a result of reliance by recipients on the information or any part of it). Any liabilities are hereby expressly disclaimed.



Rev	Date	Dm	Chk'd	App'd	Description
M01	08/05/2023	RB	RH	RS	ISSUE FOR PHASE 4: PLANNING

Client: **NTA** Ódarás Náisiúnta Iompair National Transport Authority

Engineering Designer: **Jacobs**

Date	Scale	Drawn	Checked	Approved
08/05/2023	1:250 @ A1 1:500 @ A3	RB	RH	RS
Project Code	Originator Code	QMS Code		
BCIDB	JAC			

Programme Title			
BUSCONNECTS DUBLIN			
CORE BUS CORRIDORS INFRASTRUCTURE WORKS			
Drawing Title			
BRAY TO CITY CENTRE CORE BUS CORRIDOR SCHEME			
JUNCTION SYSTEMS DESIGN			
DUBLIN ROAD / QUINNS ROAD / CHERRINGTON ROAD			
Drawing File Name	Sheet Number	Status	Rev
BCIDB-JAC-TSM_SJ_-0013_XX_00-DR-TR-0048	48 of 60	A	M01

DO NOT SCALE USE FIGURED DIMENSIONS ONLY

C:\pwworking\jacobs_uk_highways_asd\legintl_bayd2d\0148470\BCIDB-JAC-TSM_SJ_-0013_XX_00-DR-TR-0048.dwg

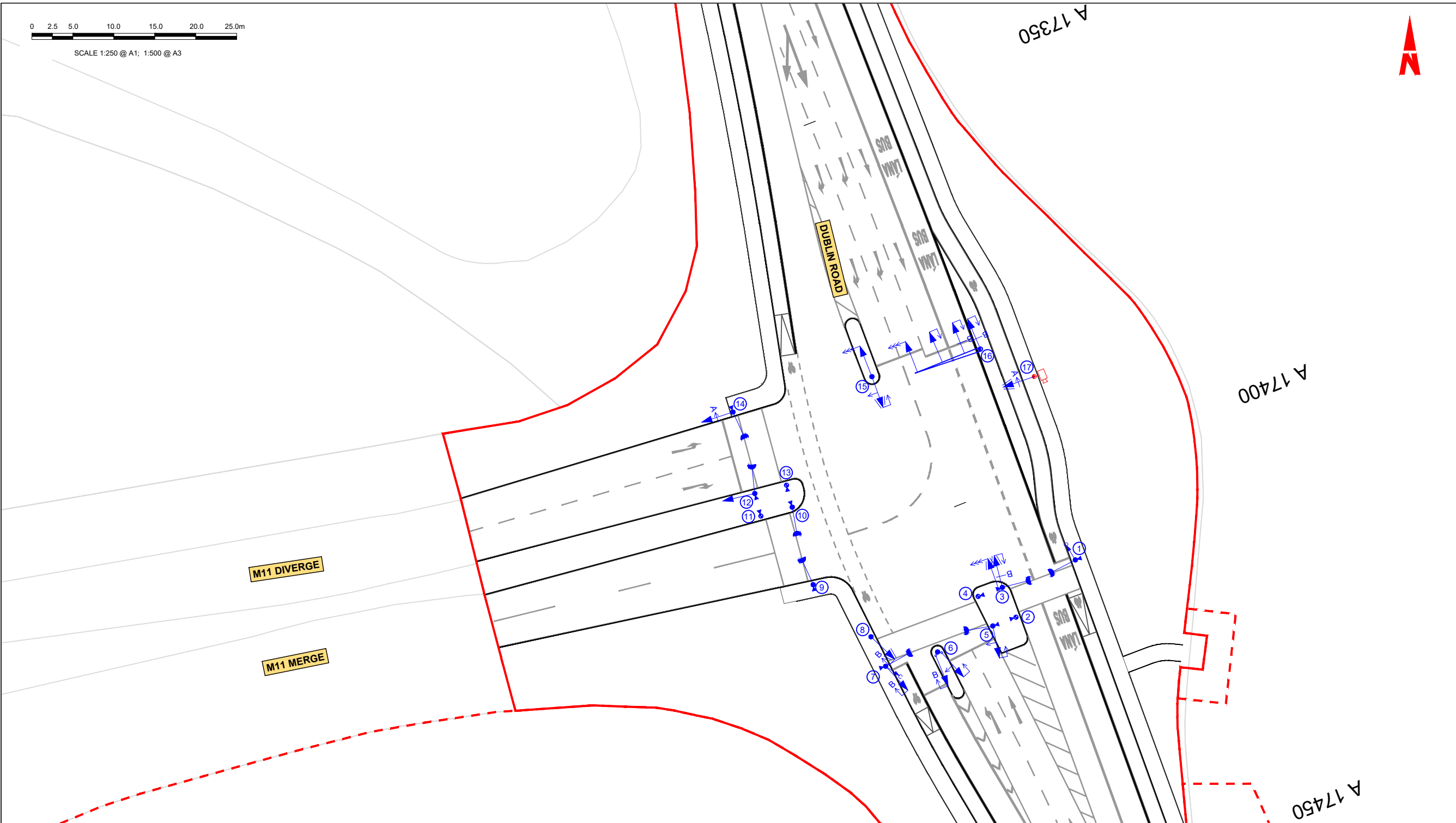
0 2.5 5.0 10.0 15.0 20.0 25.0m

SCALE 1:250 @ A1; 1:500 @ A3

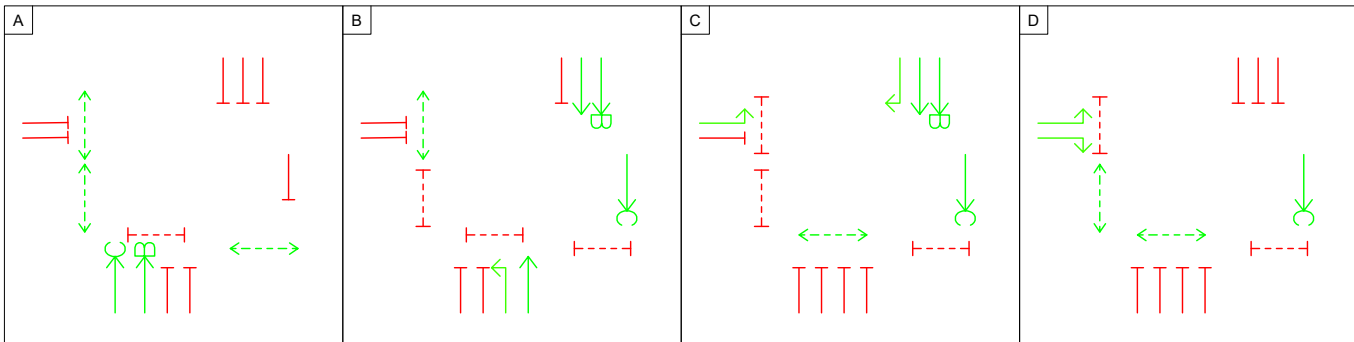


LEGEND:

- TRAFFIC SIGNAL HEADS:**
- RTS 001 PRIMARY
 - RTS 002 PRIMARY
 - RTS 002 PRIMARY
 - RTS 002 SECONDARY
 - RTS 002 PRIMARY
 - RTS 002 SECONDARY
 - RTS 003 PRIMARY
 - RTS 003 SECONDARY
 - RTS 003 PRIMARY
 - RTS 003 SECONDARY
 - RTS 003 PRIMARY
 - RTS 003 SECONDARY
 - RTS 007 (LOW LEVEL) PRIMARY
 - RPC 004 PEDESTRIAN HEAD
- TRAFFIC SIGNAL EQUIPMENT:**
- POLE (STANDARD HEIGHT)
 - SMALL POLE
 - TALL POLE (TRAFFIC SIGNALS)
 - MAST ARM (VARIABLE LENGTH)
 - TALL POLE (CCTV/TRAFFIC SIGNALS)
 - POLE NUMBER
 - PUSH BUTTON UNIT
 - PAN / TILT / ZOOM CCTV CAMERA
- GENERAL:**
- SITE BOUNDARY LINE
 - TEMPORARY LAND ACQUISITION



INDICATIVE METHOD OF CONTROL



Disclaimer

a. © National Transport Authority (NTA) 2022. This drawing is confidential and the copyright in it is owned by NTA. This drawing must not be either loaned, copied or otherwise reproduced in whole or in part for use for any purpose without the prior permission of NTA.

b. This drawing is to be used for the design element identified in the titleblock. Other information shown is to be considered indicative only. The drawing is to be read in conjunction with all other relevant design drawings.

c. O.S. data used for plans are printed under © Ordnance Survey Ireland Government of Ireland. All rights reserved. Licence Number 2022/OSI/NMA_160 National Transport Authority. All elevations are in metres and relate to OSi Geoid Model (OSGM15) Mean Head. All Co-ordinates are in Irish Transverse Mercator Grid (ITM) as defined by OSI active local GPS station.

d. Information concerning the position of apparatus shown on this drawing is based on drawings supplied by the utility owners and/or the utility works contractor, whilst every care has been taken as appropriate and are intended for general guidance only and no representation is made by the NTA as to the accuracy, completeness, sufficiency or otherwise of this information. The information contained herein does not purport to be comprehensive or final as the apparatus is subject to being altered and/or superseded. Recipients should not rely on this information. Any liabilities are hereby expressly disclaimed.

e. The information contained herein has been provided by the NTA but does not purport to be comprehensive or final. Recipients should not rely on the information. Neither the NTA nor any of its directors, officers, employees, agents, stakeholders or advisers make any representation or warranty as to, or accept any liability or responsibility in relation to, the adequacy, accuracy, reasonableness or completeness of the information provided as part of this document or any matter on which the information is based (including but not limited to loss or damage arising as a result of reliance by recipients on the information or any part of it). Any liabilities are hereby expressly disclaimed.



Rev	Date	Dm	Chk'd	App'd	Description
M01	08/05/2023	RB	RH	RS	ISSUE FOR PHASE 4: PLANNING

Client: **NTA**
Ódarás Náisiúnta Iompair
National Transport Authority

Engineering Designer: **Jacobs**

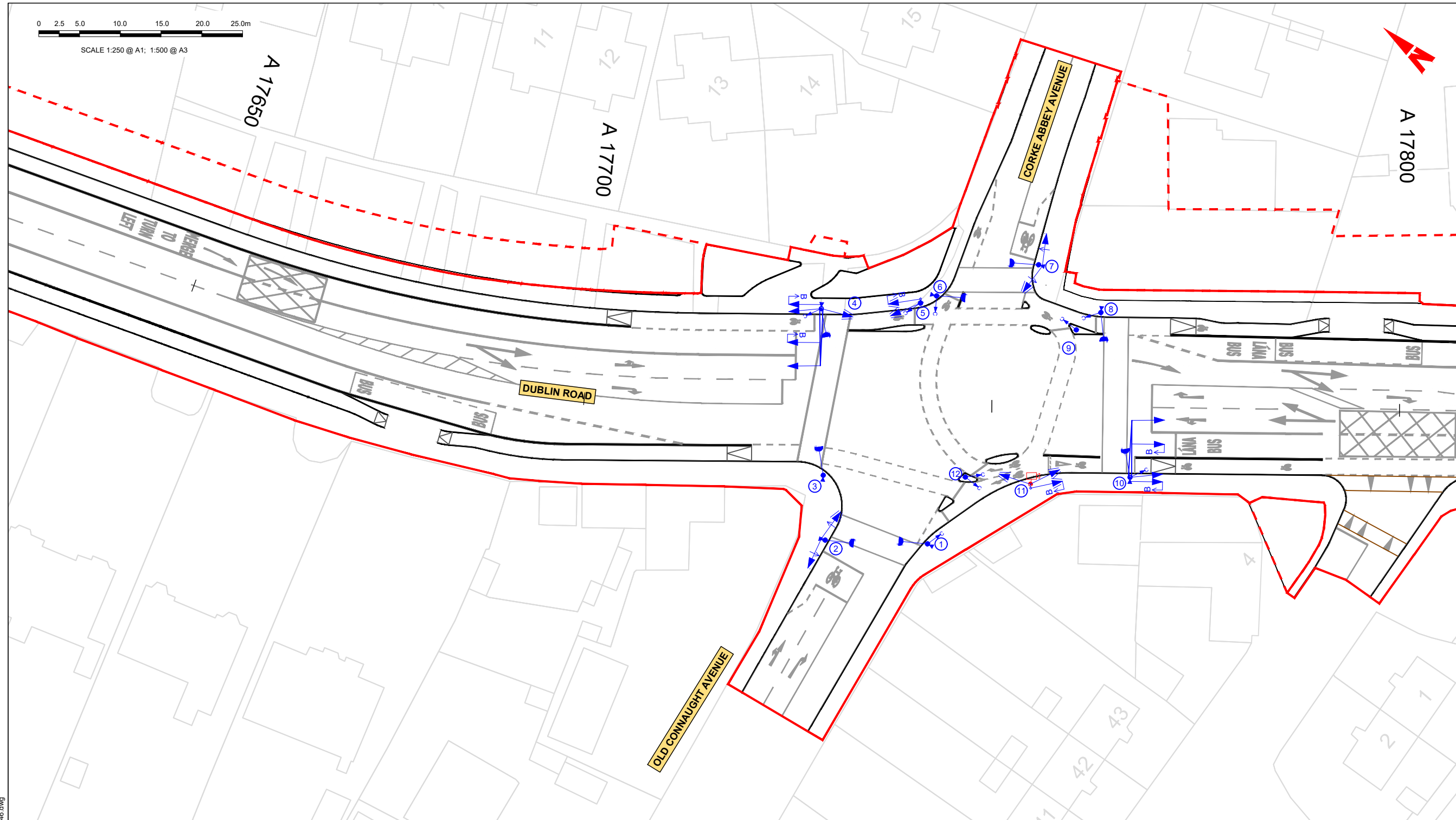
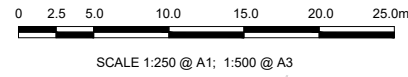
Date	Scale	Drawn	Checked	Approved
08/05/2023	1:250 @ A1 1:500 @ A3	RB	RH	RS

Project Code: BCIDB | Originator Code: JAC | OMS Code:

Programme Title: BUSCONNECTS DUBLIN				
CORE BUS CORRIDORS INFRASTRUCTURE WORKS				
Drawing Title: BRAY TO CITY CENTRE CORE BUS CORRIDOR SCHEME JUNCTION SYSTEMS DESIGN DUBLIN ROAD / M11 JUNCTION				
Drawing File Name	Sheet Number	Status	Rev	
BCIDB-JAC-TSM_SJ_-0013_XX_00-DR-TR-0049	49 of 60	A	M01	

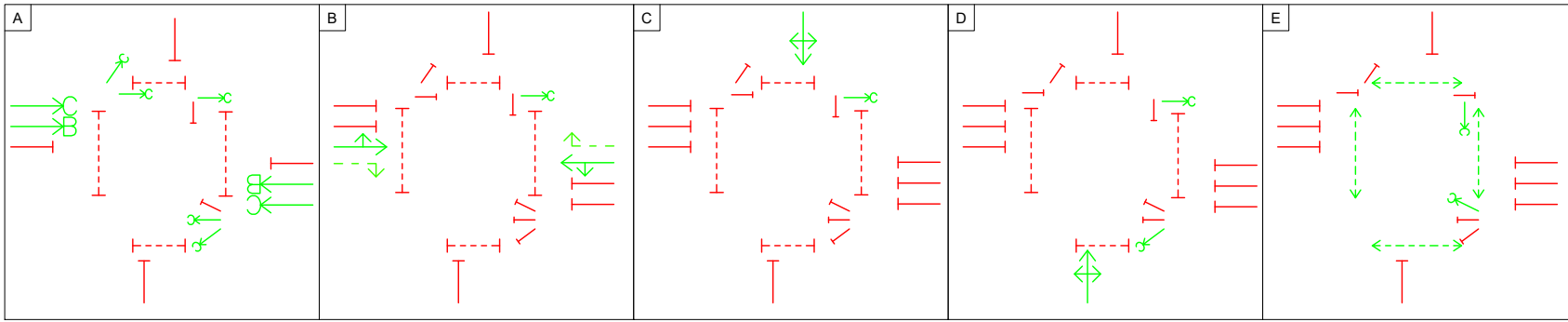
DO NOT SCALE USE FIGURED DIMENSIONS ONLY

C:\pwworking\jacobs_uk_highways_asd\jgintl_boyard\2023\148470\BCIDB-JAC-TSM_SJ_-0013_XX_00-DR-TR-0046.dwg



- LEGEND:**
- TRAFFIC SIGNAL HEADS:**
- RTS 001 PRIMARY
 - RTS 001 SECONDARY
 - RTS 002 PRIMARY
 - RTS 002 SECONDARY
 - RTS 003 PRIMARY
 - RTS 003 SECONDARY
 - RTS 007 (LOW LEVEL) PRIMARY
 - RPC 004 PEDESTRIAN HEAD
- TRAFFIC SIGNAL EQUIPMENT:**
- POLE (STANDARD HEIGHT)
 - SMALL POLE
 - TALL POLE (TRAFFIC SIGNALS)
 - MAST ARM (VARIABLE LENGTH)
 - TALL POLE (CCTV/TRAFFIC SIGNALS)
 - POLE NUMBER
 - PUSH BUTTON UNIT
 - PAN / TILT / ZOOM CCTV CAMERA
- GENERAL:**
- SITE BOUNDARY LINE
 - TEMPORARY LAND ACQUISITION

INDICATIVE METHOD OF CONTROL



Disclaimer

a. © National Transport Authority (NTA) 2022. This drawing is confidential and the copyright in it is owned by NTA. This drawing must not be either loaned, copied or otherwise reproduced in whole or in part or used for any purpose without the prior permission of NTA.

b. This drawing is to be used for the design element identified in the titleblock. Other information shown is to be considered indicative only. The drawing is to be read in conjunction with all other relevant design drawings.

c. O.S. data used for plans are printed under © Ordnance Survey Ireland Government of Ireland. All rights reserved. Licence Number 2022/OSI_NMA_180 National Transport Authority. All elevations are in metres and relate to OSi Geoid Model (OSGM15) Mean Head. All Co-ordinates are in Irish Transverse Mercator Grid (ITM) as defined by OSi active local GPS station.

d. Information concerning the position of apparatus shown on this drawing is based on drawings supplied by the utility owners and/or the utility works contractor, whilst every care has been taken in the preparation of this drawing, positions should be taken as approximate and are intended for general guidance only and no representation is made by the NTA as to the accuracy, completeness, sufficiency or otherwise of this information. The information contained herein does not purport to be comprehensive or final as the apparatus is subject to being altered and/or superseded. Recipients should not rely on this information. Any liabilities are hereby expressly disclaimed.

e. The information contained herein has been provided by the NTA but does not purport to be comprehensive or final. Recipients should not rely on the information. Neither the NTA nor any of its directors, officers, employees, agents, stakeholders or advisers make any representation or warranty as to, or accept any liability or responsibility in relation to, the adequacy, accuracy, reasonableness or completeness of the information provided as part of this document or any matter on which the information is based (including but not limited to loss or damage arising as a result of reliance by recipients on the information or any part of it). Any liabilities are hereby expressly disclaimed.



Rev	Date	Dm	Chk'd	App'd	Description
M01	08/05/2023	RB	RH	RS	ISSUE FOR PHASE 4: PLANNING

Client: **NTA** (Údarás Náisiúnta Iompair National Transport Authority)

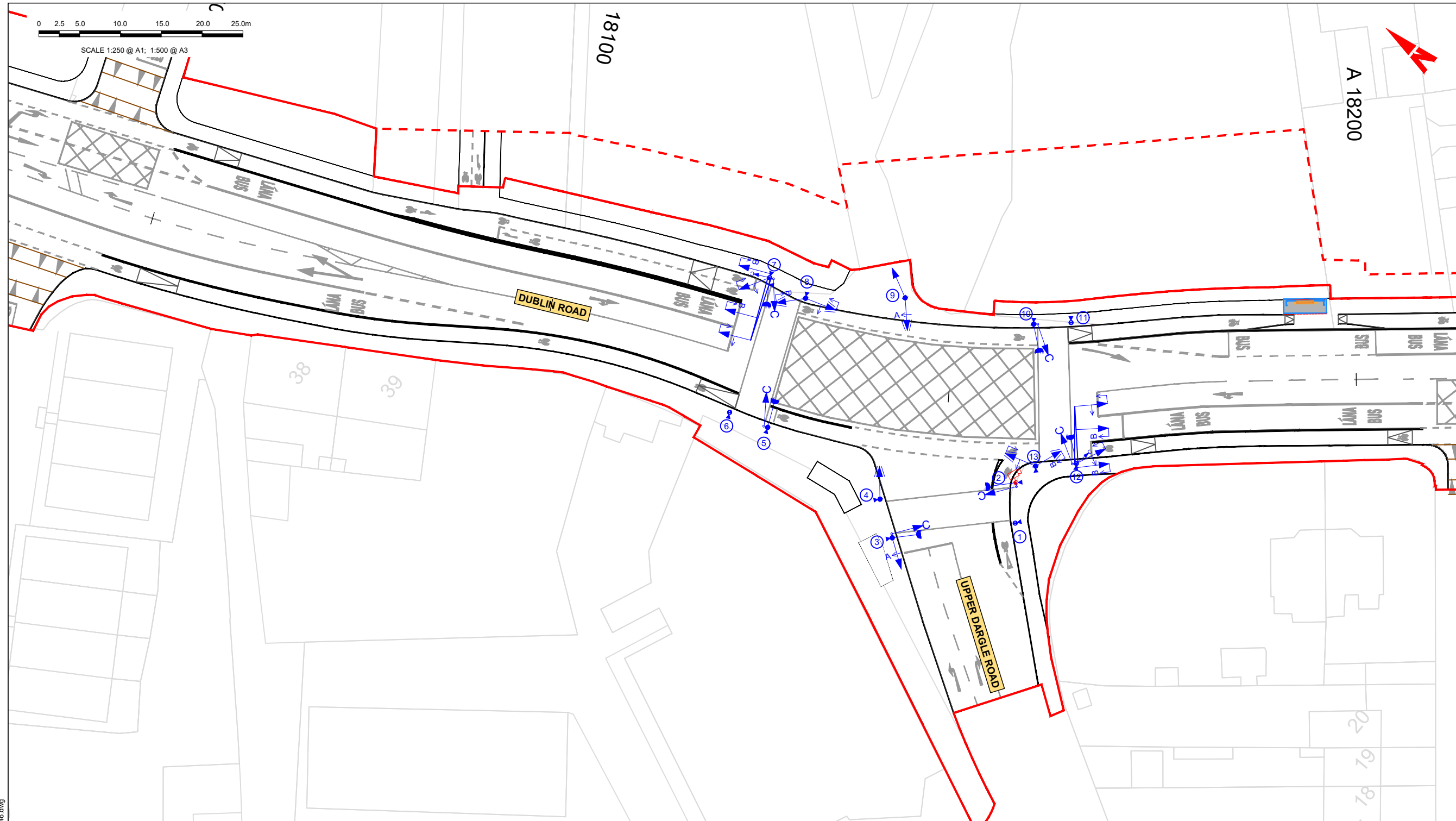
Engineering Designer: **Jacobs**

Date	Scale	Drawn	Checked	Approved
08/05/2023	1:250 @ A1 1:500 @ A3	RB	RH	RS
Project Code	Originator Code	QMS Code		
BCIDB	JAC			

Programme Title				
BUSCONNECTS DUBLIN				
CORE BUS CORRIDORS INFRASTRUCTURE WORKS				
Drawing Title				
BRAY TO CITY CENTRE CORE BUS CORRIDOR SCHEME				
JUNCTION SYSTEMS DESIGN				
DUBLIN ROAD / CORKE ABBEY AVENUE				
Drawing File Name	Sheet Number	Status	Rev	
BCIDB-JAC-TSM_SJ-0013_XX_00-DR-TR-0050	50 of 60	A	M01	

DO NOT SCALE USE FIGURED DIMENSIONS ONLY

C:\pwworking\jacobs_uk_highways_asd\legintl_bayard2\01148470\BCIDB-JAC-TSM_SJ-0013_XX_00-DR-TR-0046.dwg



LEGEND:

TRAFFIC SIGNAL HEADS:

- RTS 001 PRIMARY
- RTS 001 SECONDARY
- RTS 002 PRIMARY
- RTS 002 SECONDARY
- RTS 003 PRIMARY
- RTS 003 SECONDARY
- RTS 003 PRIMARY
- RTS 003 SECONDARY
- RTS 003 PRIMARY
- RTS 003 SECONDARY
- RTS 007 (LOW LEVEL) PRIMARY
- RTS 007 CYCLE HEAD
- RPC 004 PEDESTRIAN HEAD

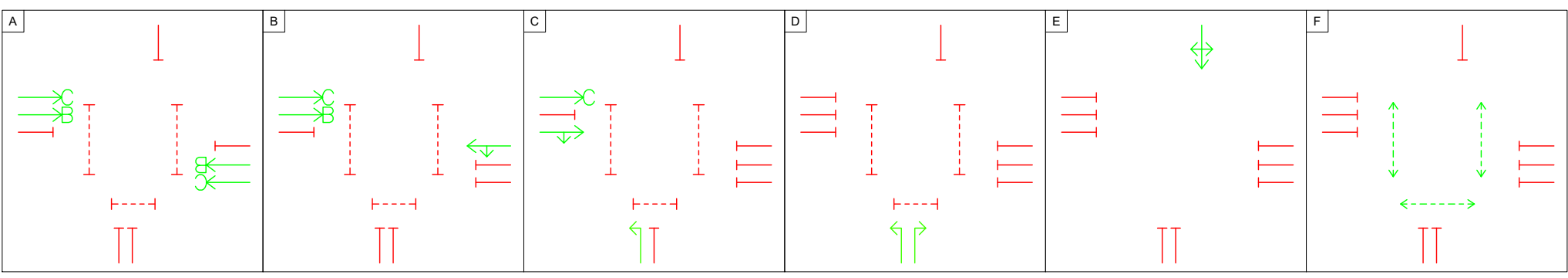
TRAFFIC SIGNAL EQUIPMENT:

- POLE (STANDARD HEIGHT)
- SMALL POLE
- TALL POLE (TRAFFIC SIGNALS)
- MAST ARM (VARIABLE LENGTH)
- TALL POLE (CCTV/TRAFFIC SIGNALS)
- POLE NUMBER
- PUSH BUTTON UNIT
- PAN / TILT / ZOOM CCTV CAMERA

GENERAL:

- SITE BOUNDARY LINE
- TEMPORARY LAND ACQUISITION

INDICATIVE METHOD OF CONTROL



Disclaimer

a. © National Transport Authority (NTA) 2022. This drawing is confidential and the copyright in it is owned by NTA. This drawing must not be either loaned, copied or otherwise reproduced in whole or in part or used for any purpose without the prior permission of NTA.

b. This drawing is to be used for the design element identified in the titleblock. Other information shown is to be considered indicative only. The drawing is to be read in conjunction with all other relevant design drawings.

c. O.S. data used for plans are printed under © Ordnance Survey Ireland Government of Ireland. All rights reserved. Licence Number 2022/OSI_NMA_160 National Transport Authority. All elevations are in metres and relate to OSi Geoid Model (OSGM15) Mean Head. All Co-ordinates are in Irish Transverse Mercator Grid (ITM) as defined by OSi active local GPS station.

d. Information concerning the position of apparatus shown on this drawing is based on drawings supplied by the utility owners and/or the utility works contractor, whilst every care has been taken as appropriate and are intended for general guidance only and no representation is made by the NTA as to the accuracy, completeness, sufficiency or otherwise of this information. The information contained herein does not purport to be comprehensive or final as the apparatus is subject to being altered and/or superseded. Recipients should not rely on this information. Any liabilities are hereby expressly disclaimed.

e. The information contained herein has been provided by the NTA but does not purport to be comprehensive or final. Recipients should not rely on the information. Neither the NTA nor any of its directors, officers, employees, agents, stakeholders or advisers make any representation or warranty as to, or accept any liability or responsibility in relation to, the adequacy, accuracy, reasonableness or completeness of the information provided as part of this document or any matter on which the information is based (including but not limited to loss or damage arising as a result of reliance by recipients on the information or any part of it). Any liabilities are hereby expressly disclaimed.



Rev	Date	Dm	Chk'd	App'd	Description
M01	08/05/2023	RB	RH	RS	ISSUE FOR PHASE 4: PLANNING

Client: **NTA**
 Údarás Náisiúnta Iompair
 National Transport Authority

Engineering Designer: **Jacobs**

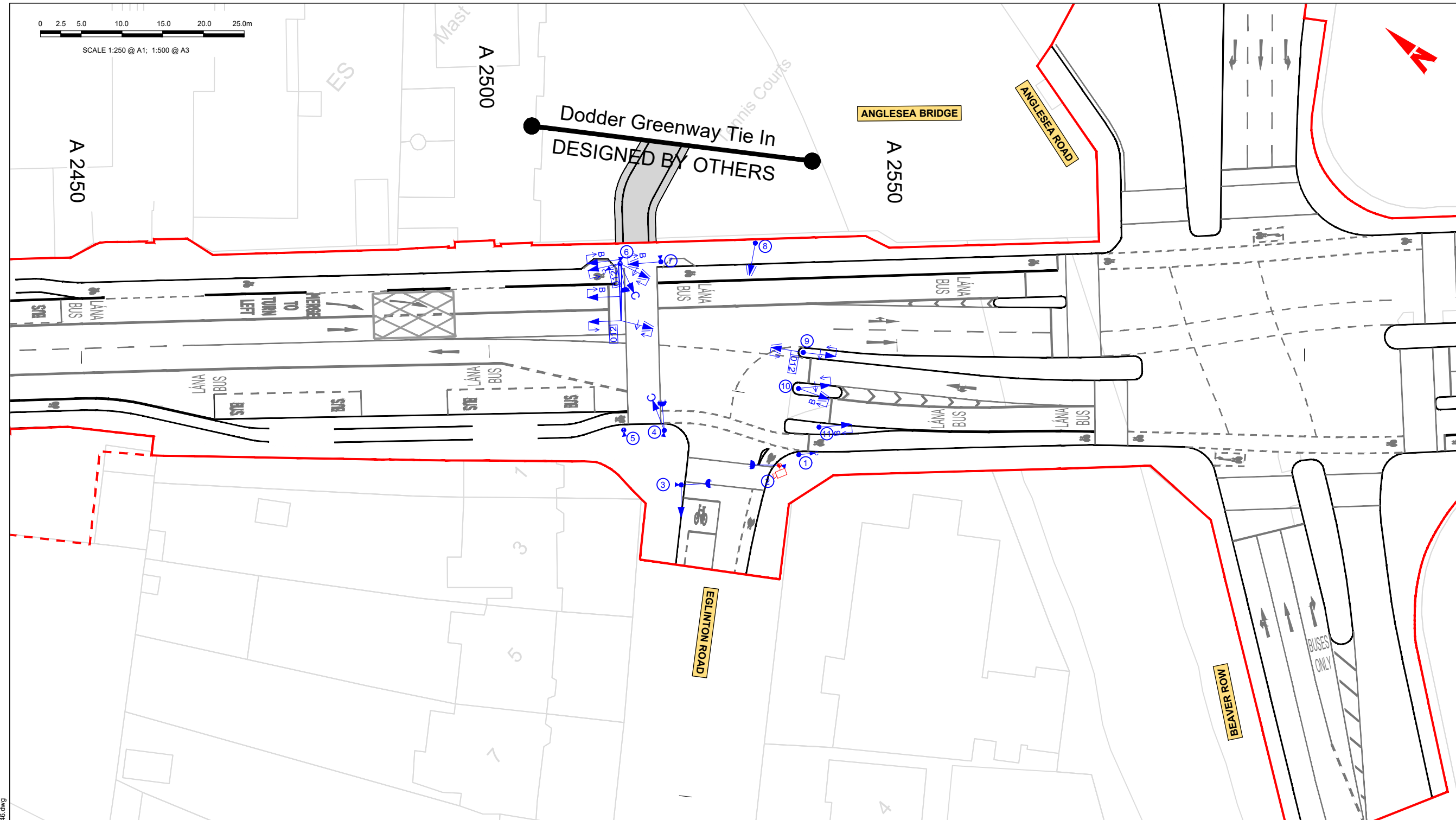
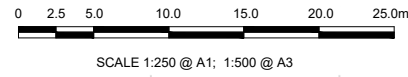
Date	Scale	Drawn	Checked	Approved
08/05/2023	1:250 @ A1 1:500 @ A3	RB	RH	RS

Project Code: BCIDB | Originator Code: JAC | OMS Code:

Programme Title BUSCONNECTS DUBLIN CORE BUS CORRIDORS INFRASTRUCTURE WORKS				
Drawing Title BRAY TO CITY CENTRE CORE BUS CORRIDOR SCHEME JUNCTION SYSTEMS DESIGN DUBLIN ROAD / UPPER DARGLE ROAD				
Drawing File Name BCIDB-JAC-TSM_SJ_-0013_XX_00-DR-TR-0051	Sheet Number 51 of 60	Status A	Rev M01	

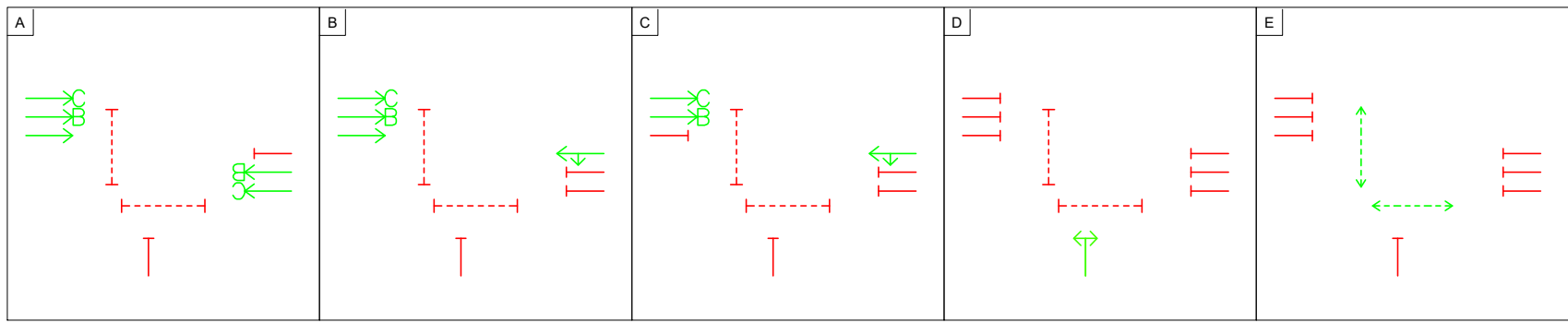
DO NOT SCALE USE FIGURED DIMENSIONS ONLY

C:\pwworking\jacobs_uk_highways_ssd\legintl_bayard2\0148470\BCIDB-JAC-TSM_SJ_-0013_XX_00-DR-TR-0046.dwg



- LEGEND:**
- TRAFFIC SIGNAL HEADS:**
- RTS 001 PRIMARY
 - RTS 001 SECONDARY
 - RTS 002 (RUS 012) PRIMARY
 - RTS 002 (RUS 012) SECONDARY
 - RTS 003 PRIMARY
 - RTS 003 SECONDARY
 - RTS 003 PRIMARY
 - RTS 003 SECONDARY
 - RTS 007 (LOW LEVEL) PRIMARY
 - RTS 007 CYCLE HEAD
 - RPC 004 PEDESTRIAN HEAD
- TRAFFIC SIGNAL EQUIPMENT:**
- POLE (STANDARD HEIGHT)
 - SMALL POLE
 - TALL POLE (TRAFFIC SIGNALS)
 - MAST ARM (VARIABLE LENGTH)
 - TALL POLE (CCTV/TRAFFIC SIGNALS)
 - POLE NUMBER
 - PUSH BUTTON UNIT
 - PAN / TILT / ZOOM CCTV CAMERA
- GENERAL:**
- SITE BOUNDARY LINE
 - TEMPORARY LAND ACQUISITION

INDICATIVE METHOD OF CONTROL



C:\pwworking\jacobs_uk_highways_asd\legintl_boyd\2d\148470\BCIDB-JAC-TSM_SJ-0013_XX_00-DR-TR-0046.dwg

Disclaimer

a. © National Transport Authority (NTA) 2022. This drawing is confidential and the copyright in it is owned by NTA. This drawing must not be either loaned, copied or otherwise reproduced in whole or in part or used for any purpose without the prior permission of NTA.

b. This drawing is to be used for the design element identified in the titleblock. Other information shown is to be considered indicative only. The drawing is to be read in conjunction with all other relevant design drawings.

c. O.S. data used for plans are printed under © Ordnance Survey Ireland Government of Ireland. All rights reserved. Licence Number 2022/OSI_NMA_180 National Transport Authority. All elevations are in metres and relate to OSi Geoid Model (OSGM15) Mean Head. All Co-ordinates are in Irish Transverse Mercator Grid (ITM) as defined by OSi active local GPS station.

d. Information concerning the position of apparatus shown on this drawing is based on drawings supplied by the utility owners and/or the utility works contractor, whilst every care has been taken in the preparation of this drawing, positions should be taken as approximate and are intended for general guidance only and no representation is made by the NTA as to the accuracy, completeness, sufficiency or otherwise of this information. The information contained herein does not purport to be comprehensive or final as the apparatus is subject to being altered and/or superseded. Recipients should not rely on this information. Any liabilities are hereby expressly disclaimed.

e. The information contained herein has been provided by the NTA but does not purport to be comprehensive or final. Recipients should not rely on the information. Neither the NTA nor any of its directors, officers, employees, agents, stakeholders or advisers make any representation or warranty as to, or accept any liability or responsibility in relation to, the adequacy, accuracy, reasonableness or completeness of the information provided as part of this document or any matter on which the information is based (including but not limited to loss or damage arising as a result of reliance by recipients on the information or any part of it). Any liabilities are hereby expressly disclaimed.



Rev	Date	Drn	Chk'd	App'd	Description
M01	08/05/2023	RB	RH	RS	ISSUE FOR PHASE 4: PLANNING

Client: **NTA**
 Ódaráis Náisiúnta Iompair
 National Transport Authority

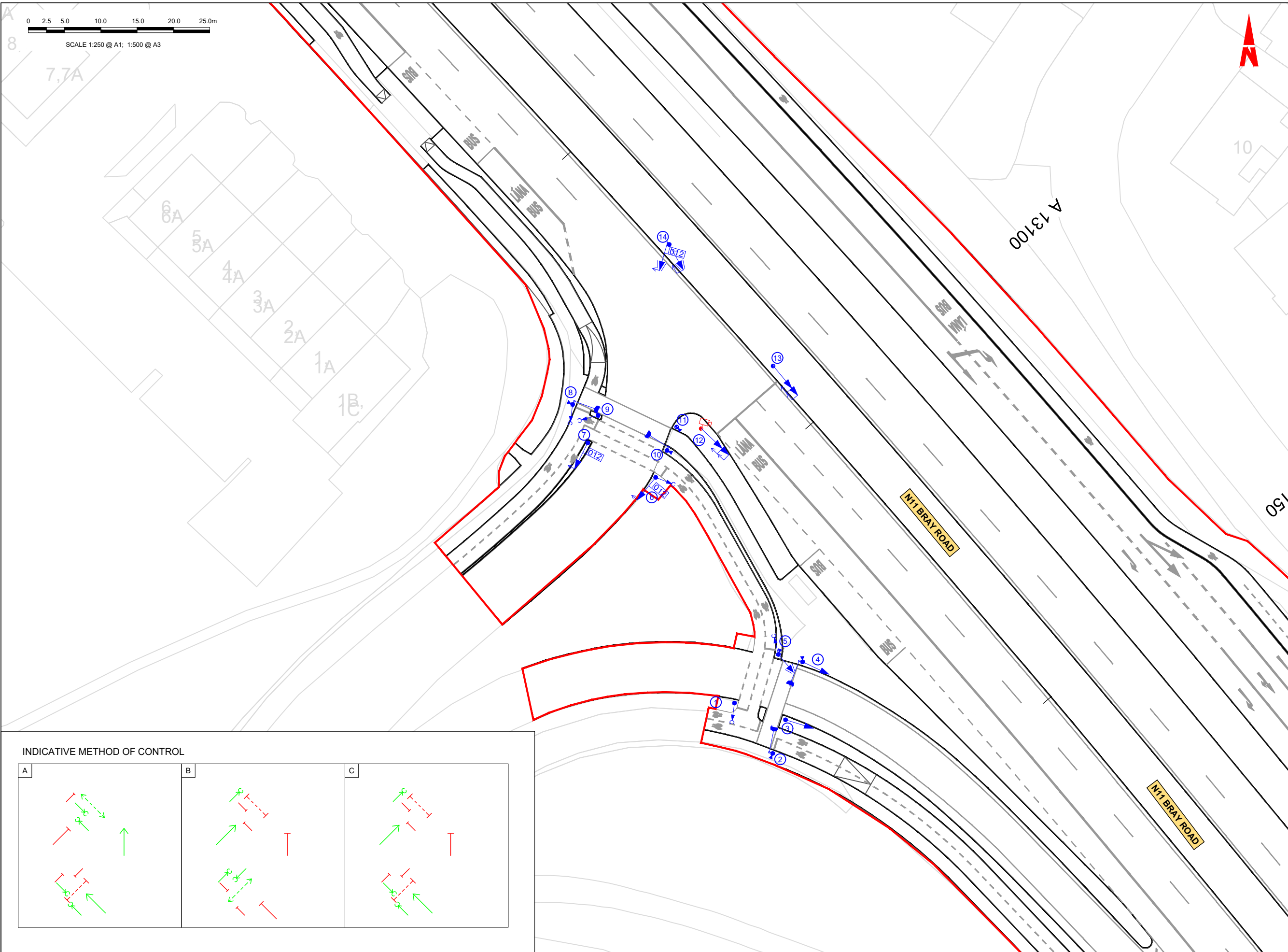
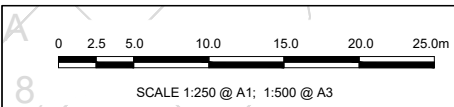
Engineering Designer: **Jacobs**

Date	Scale	Drawn	Checked	Approved
08/05/2023	1:250 @ A1 1:500 @ A3	RB	RH	RS

Project Code: BCIDB Originator Code: JAC QMS Code:

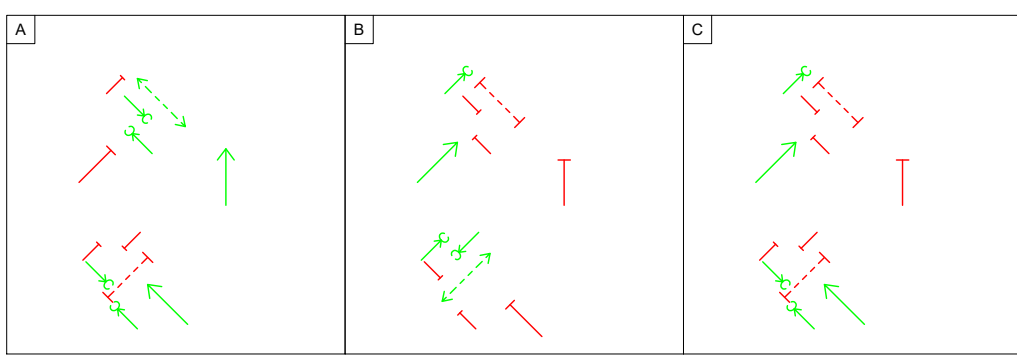
Programme Title BUSCONNECTS DUBLIN CORE BUS CORRIDORS INFRASTRUCTURE WORKS			
Drawing Title BRAY TO CITY CENTRE CORE BUS CORRIDOR SCHEME JUNCTION SYSTEMS DESIGN DONNYBROOK ROAD / EGLINTON ROAD			
Drawing File Name BCIDB-JAC-TSM_SJ-0013_XX_00-DR-TR-0052	Sheet Number 52 of 60	Status A	Rev M01

DO NOT SCALE USE FIGURED DIMENSIONS ONLY



- LEGEND:**
- TRAFFIC SIGNAL HEADS:**
- RTS 001 PRIMARY
 - RTS 001 SECONDARY
 - RTS 002 (RUS 102) PRIMARY
 - RTS 002 (RUS 102) SECONDARY
 - RTS 002 PRIMARY x2
 - RTS 002 SECONDARY
 - RTS 007 (LOW LEVEL) PRIMARY
 - RPC 004 PEDESTRIAN HEAD
- TRAFFIC SIGNAL EQUIPMENT:**
- POLE (STANDARD HEIGHT)
 - SMALL POLE
 - TALL POLE (TRAFFIC SIGNALS)
 - TALL POLE (CCTV/TRAFFIC SIGNALS)
 - MAST ARM (VARIABLE LENGTH)
 - MAST POLE (CCTV/TRAFFIC SIGNALS)
 - POLE NUMBER
 - PUSH BUTTON UNIT
 - PAN / TILT / ZOOM CCTV CAMERA
- GENERAL:**
- SITE BOUNDARY LINE
 - TEMPORARY LAND ACQUISITION

INDICATIVE METHOD OF CONTROL



Disclaimer

a. © National Transport Authority (NTA) 2022. This drawing is confidential and the copyright in it is owned by NTA. This drawing must not be either loaned, copied or otherwise reproduced in whole or in part or used for any purpose without the prior permission of NTA.

b. This drawing is to be used for the design element identified in the title block. Other information shown is to be considered indicative only. The drawing is to be read in conjunction with all other relevant design drawings.

c. O.S. data used for plans are printed under © Ordnance Survey Ireland Government of Ireland. All rights reserved. Licence Number 2022/OSI/NMA_180 National Transport Authority. All elevations are in metres and relate to OS Geoid Model (OSGM15) Mean Head. All Co-ordinates are in Irish Transverse Mercator Grid (ITM) as defined by OSI active local GPS station.

d. Information concerning the position of apparatus shown on this drawing is based on drawings supplied by the utility owners and/or the utility works contractor, whilst every care has been taken in the preparation of this drawing, positions should be taken as appropriate and are intended for general guidance only and no representation is made by the NTA as to the accuracy, completeness, sufficiency or otherwise of this information. The information contained herein does not purport to be comprehensive or final as the apparatus is subject to being altered and/or superseded. Recipients should not rely on this information. Any liabilities are hereby expressly disclaimed.

e. The information contained herein has been provided by the NTA but does not purport to be comprehensive or final. Recipients should not rely on the information. Neither the NTA nor any of its directors, officers, employees, agents, stakeholders or advisers make any representation or warranty as to, or accept any liability or responsibility in relation to, the adequacy, accuracy, reasonableness or completeness of the information provided as part of this document or any matter on which the information is based (including but not limited to loss or damage arising as a result of reliance by recipients on the information or any part of it). Any liabilities are hereby expressly disclaimed.



Rev	Date	Dm	Chk'd	App'd	Description
M01	08/05/2023	RB	RH	RS	ISSUE FOR PHASE 4: PLANNING

Client: **NTA** (Údarás Náisiúnta Iompair National Transport Authority)

Engineering Designer: **Jacobs**

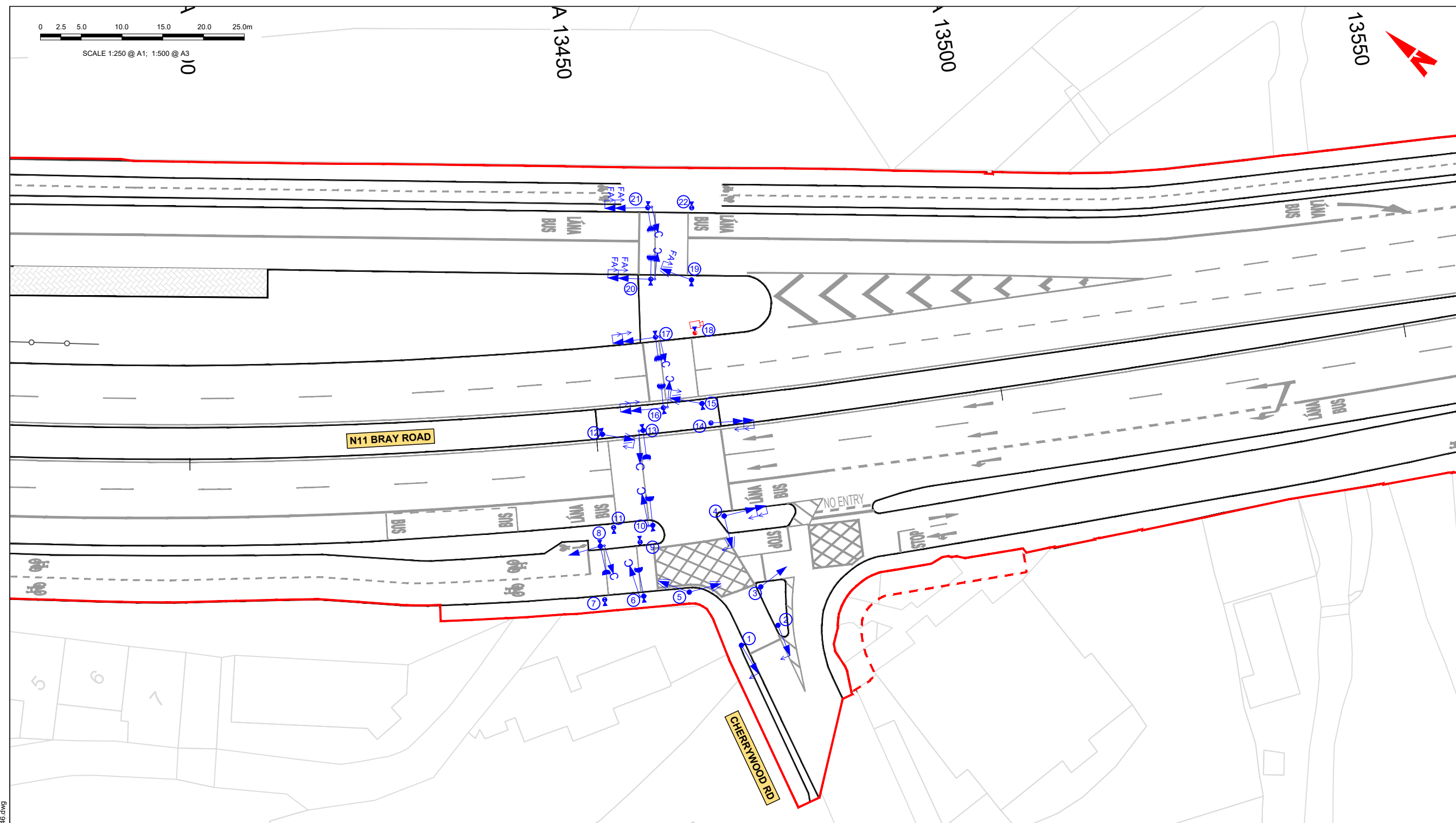
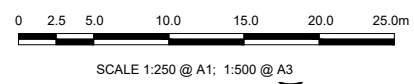
Date	Scale	Drawn	Checked	Approved
08/05/2023	1:250 @ A1 1:500 @ A3	RB	RH	RS

Project Code: BCIDB | Originator Code: JAC | QMS Code:

Programme Title: BUSCONNECTS DUBLIN			
Drawing Title: CORE BUS CORRIDORS INFRASTRUCTURE WORKS			
Drawing File Name: BCIDB-JAC-TSM_SJ_-0013_XX_00-DR-TR-0053			
Sheet Number: 53 of 60	Status: A	Rev: M01	

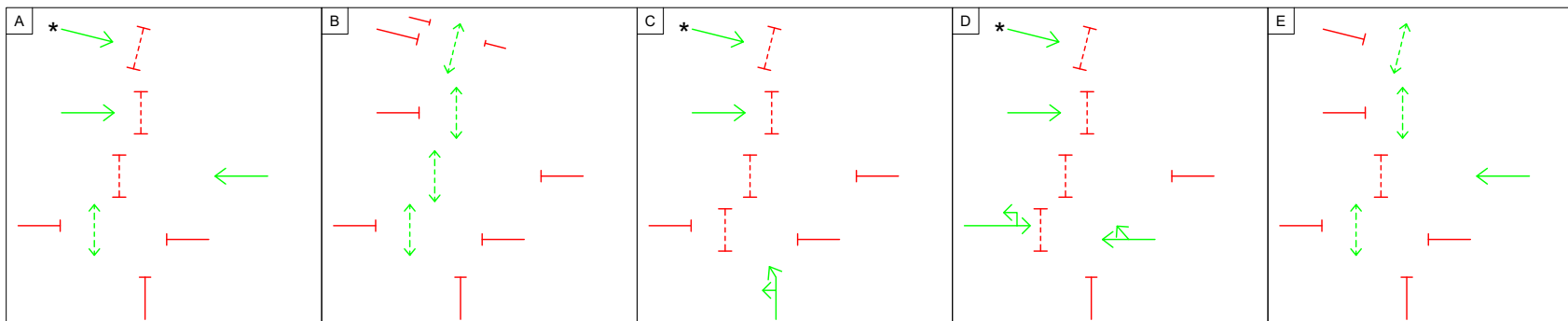
DO NOT SCALE USE FIGURED DIMENSIONS ONLY

C:\pwworking\jacobs_uk_highways_asd\legint\boyd\2101148470\BCIDB-JAC-TSM_SJ_-0013_XX_00-DR-TR-0046.dwg



- LEGEND:**
- TRAFFIC SIGNAL HEADS:**
- RTS 001 PRIMARY
 - RTS 001 SECONDARY
 - RTS 002 PRIMARY
 - RTS 002 SECONDARY
 - RTS 002 PRIMARY x2
 - RTS 002 SECONDARY
 - RTS 004 PRIMARY x2
 - RTS 004 SECONDARY
 - RTS 007 (LOW LEVEL) PRIMARY
 - RTS 007 CYCLE HEAD
 - RPC 004 PEDESTRIAN HEAD
- TRAFFIC SIGNAL EQUIPMENT:**
- POLE (STANDARD HEIGHT)
 - SMALL POLE
 - TALL POLE (TRAFFIC SIGNALS)
 - MAST ARM (VARIABLE LENGTH)
 - TALL POLE (CCTV/TRAFFIC SIGNALS)
 - POLE NUMBER
 - PUSH BUTTON UNIT
 - PAN / TILT / ZOOM CCTV CAMERA
- GENERAL:**
- SITE BOUNDARY LINE
 - TEMPORARY LAND ACQUISITION

INDICATIVE METHOD OF CONTROL



* DENOTES FLASHING AMBER

Disclaimer

a. © National Transport Authority (NTA) 2022. This drawing is confidential and the copyright in it is owned by NTA. This drawing must not be either loaned, copied or otherwise reproduced in whole or in part or used for any purpose without the prior permission of NTA.

b. This drawing is to be used for the design element identified in the titleblock. Other information shown is to be considered indicative only. The drawing is to be read in conjunction with all other relevant design drawings.

c. O.S. data used for plans are printed under © Ordnance Survey Ireland Government of Ireland. All rights reserved. Licence Number 2022/OSI/NMA_180 National Transport Authority. All elevations are in metres and relate to OSi Geoid Model (OSGM15) Mean Head. All Co-ordinates are in Irish Transverse Mercator Grid (ITM) as defined by OSI active local GPS station.

d. Information concerning the position of apparatus shown on this drawing is based on drawings supplied by the utility owners and/or the utility works contractor, whilst every care has been taken as appropriate and are intended for general guidance only and no representation is made by the NTA as to the accuracy, completeness, sufficiency or otherwise of this drawing and the position of the apparatus. The information contained herein does not purport to be comprehensive or final as the apparatus is subject to being altered and/or superseded. Recipients should not rely on this information. Any liabilities are hereby expressly disclaimed.

e. The information contained herein has been provided by the NTA but does not purport to be comprehensive or final. Recipients should not rely on the information. Neither the NTA nor any of its directors, officers, employees, agents, stakeholders or advisers make any representation or warranty as to, or accept any liability or responsibility in relation to, the adequacy, accuracy, reasonableness or completeness of the information provided as part of this document or any matter on which the information is based (including but not limited to loss or damage arising as a result of reliance by recipients on the information or any part of it). Any liabilities are hereby expressly disclaimed.



Rev	Date	Drn	Chk'd	App'd	Description
M01	08/05/2023	RB	RH	RS	ISSUE FOR PHASE 4: PLANNING

Client: **NTA**
Údarás Náisiúnta Iompair
National Transport Authority

Engineering Designer: **Jacobs**

Date	Scale	Drawn	Checked	Approved
08/05/2023	1:250 @ A1 1:500 @ A3	RB	RH	RS
Project Code	Originator Code	QMS Code		
BCIDB	JAC			

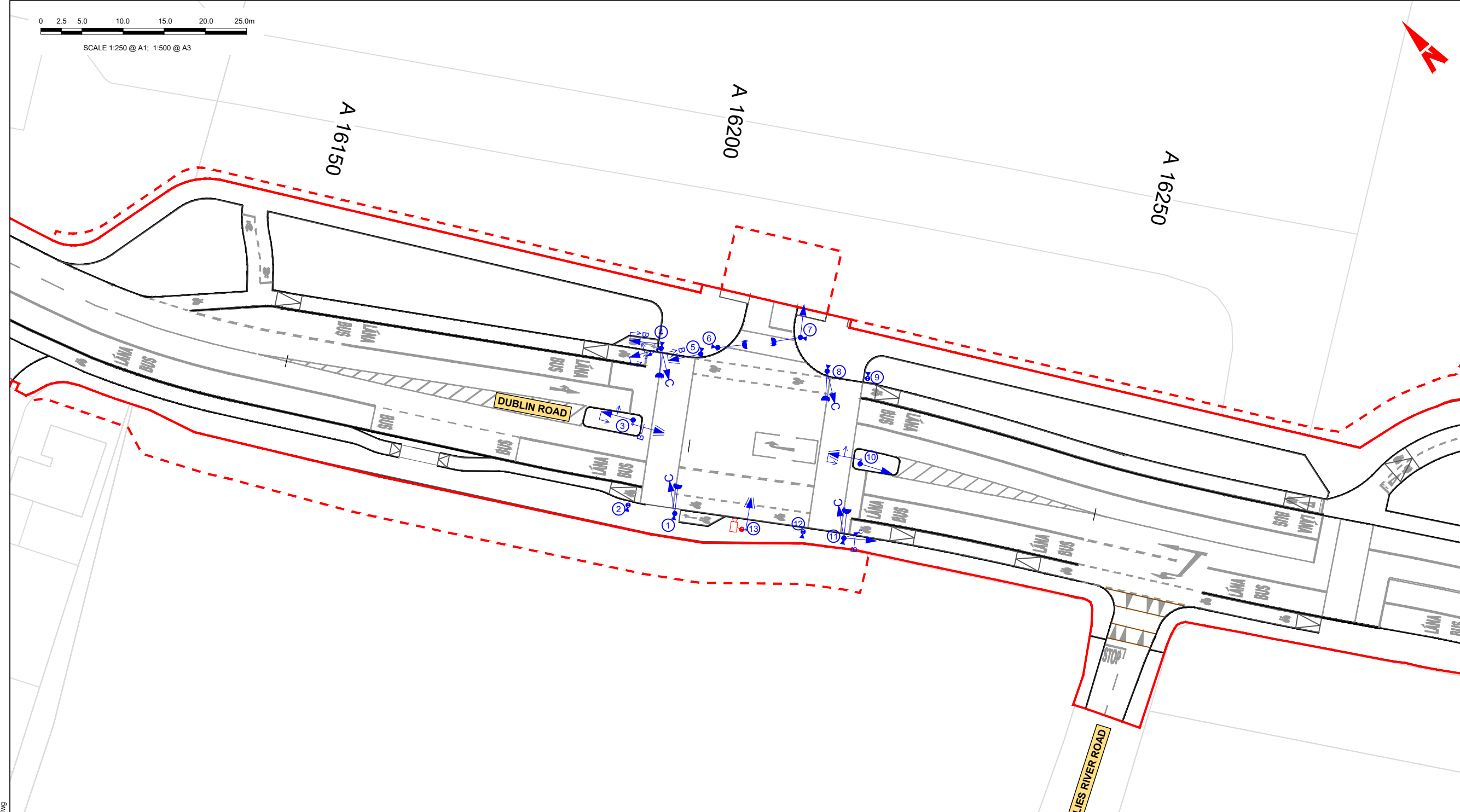
Programme Title			
BUSCONNECTS DUBLIN			
CORE BUS CORRIDORS INFRASTRUCTURE WORKS			
Drawing Title			
BRAY TO CITY CENTRE CORE BUS CORRIDOR SCHEME JUNCTION SYSTEMS DESIGN N11 BRAY ROAD / CHERRYWOOD ROAD			
Drawing File Name	Sheet Number	Status	Rev
BCIDB-JAC-TSM_SJ-0013_XX_00-DR-TR-0054	54 of 60	A	M01

DO NOT SCALE USE FIGURED DIMENSIONS ONLY

C:\pwworking\jacobs_uk_highways_asd\legintl_bayrd2\0148470\BCIDB-JAC-TSM_SJ-0013_XX_00-DR-TR-0046.dwg

0 2.5 5.0 10.0 15.0 20.0 25.0m

SCALE 1:250 @ A1; 1:500 @ A3



LEGEND:

TRAFFIC SIGNAL HEADS:

- RTS 001 PRIMARY
- RTS 001 SECONDARY
- RTS 002 PRIMARY
- RTS 002 SECONDARY
- RTS 003 PRIMARY
- RTS 003 SECONDARY
- RTS 003 PRIMARY
- RTS 003 SECONDARY
- RTS 007 (LOW LEVEL) PRIMARY
- RTS 007 CYCLE HEAD
- RPC 004 PEDESTRIAN HEAD

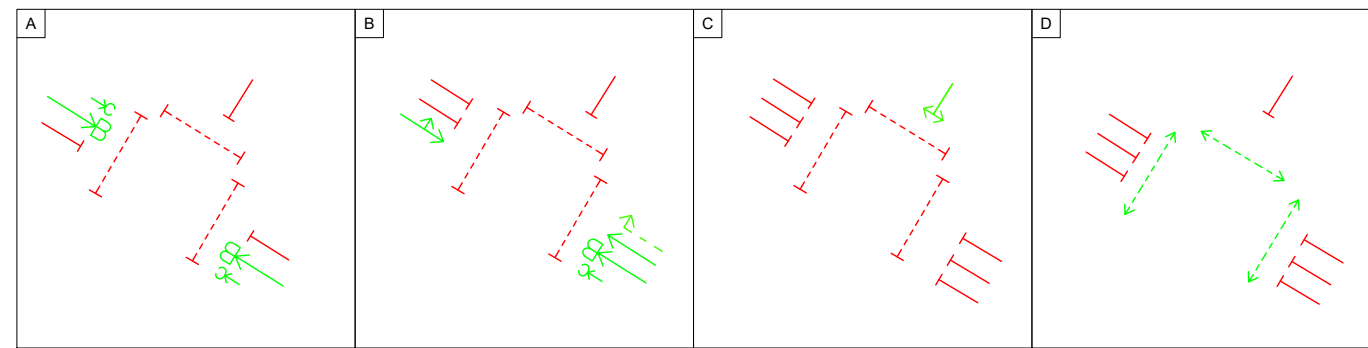
TRAFFIC SIGNAL EQUIPMENT:

- POLE (STANDARD HEIGHT)
- SMALL POLE
- TALL POLE (TRAFFIC SIGNALS)
- MAST ARM (VARIABLE LENGTH)
- TALL POLE (CCTV/TRAFFIC SIGNALS)
- POLE NUMBER
- PUSH BUTTON UNIT
- PAN / TILT / ZOOM CCTV CAMERA

GENERAL:

- SITE BOUNDARY LINE
- TEMPORARY LAND ACQUISITION

INDICATIVE METHOD OF CONTROL



Disclaimer

a. © National Transport Authority (NTA) 2022. This drawing is confidential and the copyright in it is owned by NTA. This drawing must not be either loaned, copied or otherwise reproduced in whole or in part or used for any purpose without the prior permission of NTA.

b. This drawing is to be used for the design element identified in the title block. Other information shown is to be considered indicative only. The drawing is to be read in conjunction with all other relevant design drawings.

c. O.S. data used for plans are printed under © Ordnance Survey Ireland Government of Ireland. All rights reserved. Licence Number 2022/OSI_NMA_180 National Transport Authority. All elevations are in metres and relate to OSI Geoid Model (OSGM15) Mean Head. All Co-ordinates are in Irish Transverse Mercator Grid (ITM) as defined by OSI active local GPS station.

d. Information concerning the position of apparatus shown on this drawing is based on drawings supplied by the utility owners and/or the utility works contractor, whilst every care has been taken in the preparation of this drawing, positions should be taken as appropriate and are intended for general guidance only and no representation is made by the NTA as to the accuracy, completeness, sufficiency or otherwise of this drawing and the position of the apparatus. The information contained herein does not purport to be comprehensive or final as the apparatus is subject to being altered and/or superseded. Recipients should not rely on this information. Any liabilities are hereby expressly disclaimed.

e. The information contained herein has been provided by the NTA but does not purport to be comprehensive or final. Recipients should not rely on the information. Neither the NTA nor any of its directors, officers, employees, agents, stakeholders or advisers make any representation or warranty as to, or accept any liability or responsibility in relation to, the adequacy, accuracy, reasonableness or completeness of the information provided as part of this document or any matter on which the information is based (including but not limited to loss or damage arising as a result of reliance by recipients on the information or any part of it). Any liabilities are hereby expressly disclaimed.



Rev	Date	Dm	Chk'd	App'd	Description
M01	08/05/2023	RB	RH	RS	ISSUE FOR PHASE 4: PLANNING

Client: **NTA**
 Ódaráis Náisiúnta Iompair
 National Transport Authority

Engineering Designer: **Jacobs**

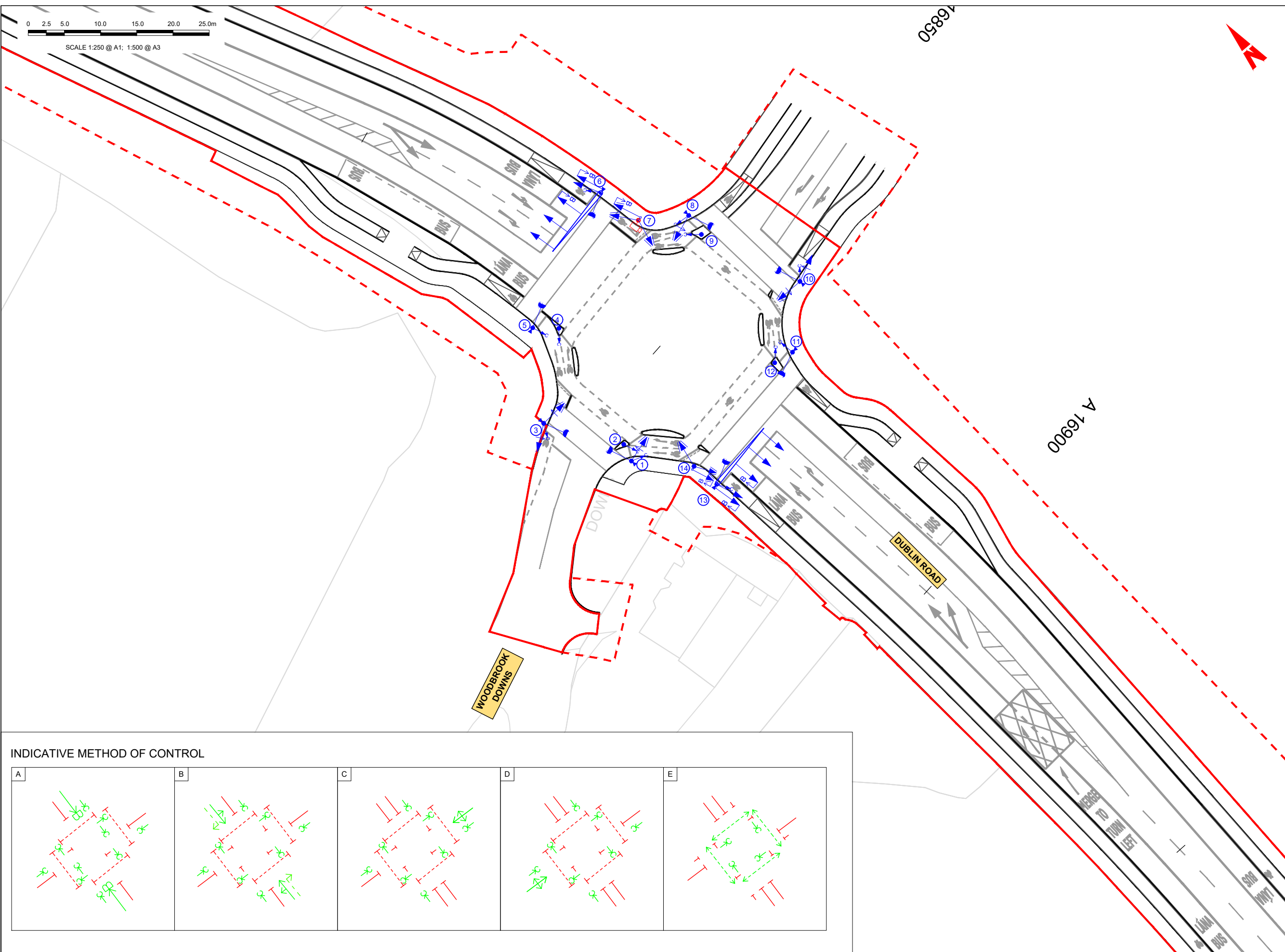
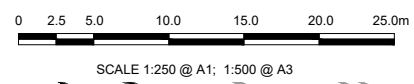
Date	Scale	Drawn	Checked	Approved
08/05/2023	1:250 @ A1 1:500 @ A3	RB	RH	RS

Project Code: BCIDB | Originator Code: JAC | QMS Code:

Programme Title BUSCONNECTS DUBLIN CORE BUS CORRIDORS INFRASTRUCTURE WORKS			
Drawing Title BRAY TO CITY CENTRE CORE BUS CORRIDOR SCHEME JUNCTION SYSTEMS DESIGN DUBLIN ROAD / SHANGANAGH PARK JUNCTION			
Drawing File Name BCIDB-JAC-TSM_SJ-0013_XX_00-DR-TR-0055	Sheet Number 55 of 60	Status A	Rev M01

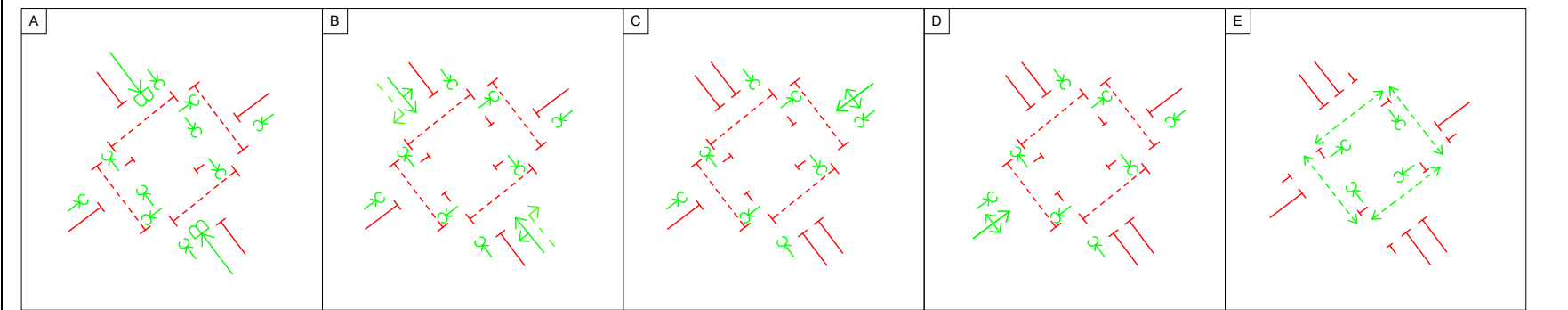
DO NOT SCALE USE FIGURED DIMENSIONS ONLY

C:\pwworking\jacobs_uk_highways_asd\legintl_bayard2d\148470\BCIDB-JAC-TSM_SJ-0013_XX_00-DR-TR-0046.dwg



- LEGEND:**
- TRAFFIC SIGNAL HEADS:**
- RTS 001 PRIMARY
 - RTS 001 SECONDARY
 - RTS 002 PRIMARY
 - RTS 002 SECONDARY
 - RTS 003 PRIMARY
 - RTS 003 SECONDARY
 - RTS 007 (LOW LEVEL) PRIMARY
 - RPC 004 PEDESTRIAN HEAD
- TRAFFIC SIGNAL EQUIPMENT:**
- POLE (STANDARD HEIGHT)
 - SMALL POLE
 - TALL POLE (TRAFFIC SIGNALS)
 - MAST ARM (VARIABLE LENGTH)
 - TALL POLE (CCTV/TRAFFIC SIGNALS)
 - POLE NUMBER
 - PUSH BUTTON UNIT
 - PAN / TILT / ZOOM CCTV CAMERA
- GENERAL:**
- SITE BOUNDARY LINE
 - TEMPORARY LAND ACQUISITION

INDICATIVE METHOD OF CONTROL



Disclaimer

a. © National Transport Authority (NTA) 2022. This drawing is confidential and the copyright in it is owned by NTA. This drawing must not be either loaned, copied or otherwise reproduced in whole or in part or used for any purpose without the prior permission of NTA.

b. This drawing is to be used for the design element identified in the titleblock. Other information shown is to be considered indicative only. The drawing is to be read in conjunction with all other relevant design drawings.

c. O.S. data used for plans are printed under © Ordnance Survey Ireland Government of Ireland. All rights reserved. Licence Number 2022/OSI/NMA_160 National Transport Authority. All elevations are in metres and relate to OS Geoid Model (OSGM15) Mean Head. All Co-ordinates are in Irish Transverse Mercator Grid (ITM) as defined by OSI active local GPS station.

d. Information concerning the position of apparatus shown on this drawing is based on drawings supplied by the utility owners and/or the utility works contractor, whilst every care has been taken as appropriate and are intended for general guidance only and no representation is made by the NTA as to the accuracy, completeness, sufficiency or otherwise of this drawing and the position of the apparatus. The information contained herein does not purport to be comprehensive or final as the apparatus is subject to being altered and/or superseded. Recipients should not rely on this information. Any liabilities are hereby expressly disclaimed.

e. The information contained herein has been provided by the NTA but does not purport to be comprehensive or final. Recipients should not rely on the information. Neither the NTA nor any of its directors, officers, employees, agents, stakeholders or advisers make any representation or warranty as to, or accept any liability or responsibility in relation to, the adequacy, accuracy, reasonableness or completeness of the information provided as part of this document or any matter on which the information is based (including but not limited to loss or damage arising as a result of reliance by recipients on the information or any part of it). Any liabilities are hereby expressly disclaimed.



Rev	Date	Dm	Chk'd	App'd	Description
M01	08/05/2023	RB	RH	RS	ISSUE FOR PHASE 4: PLANNING

Client: **NTA**
Údarás Náisiúnta Iompair
National Transport Authority

Engineering Designer: **Jacobs**

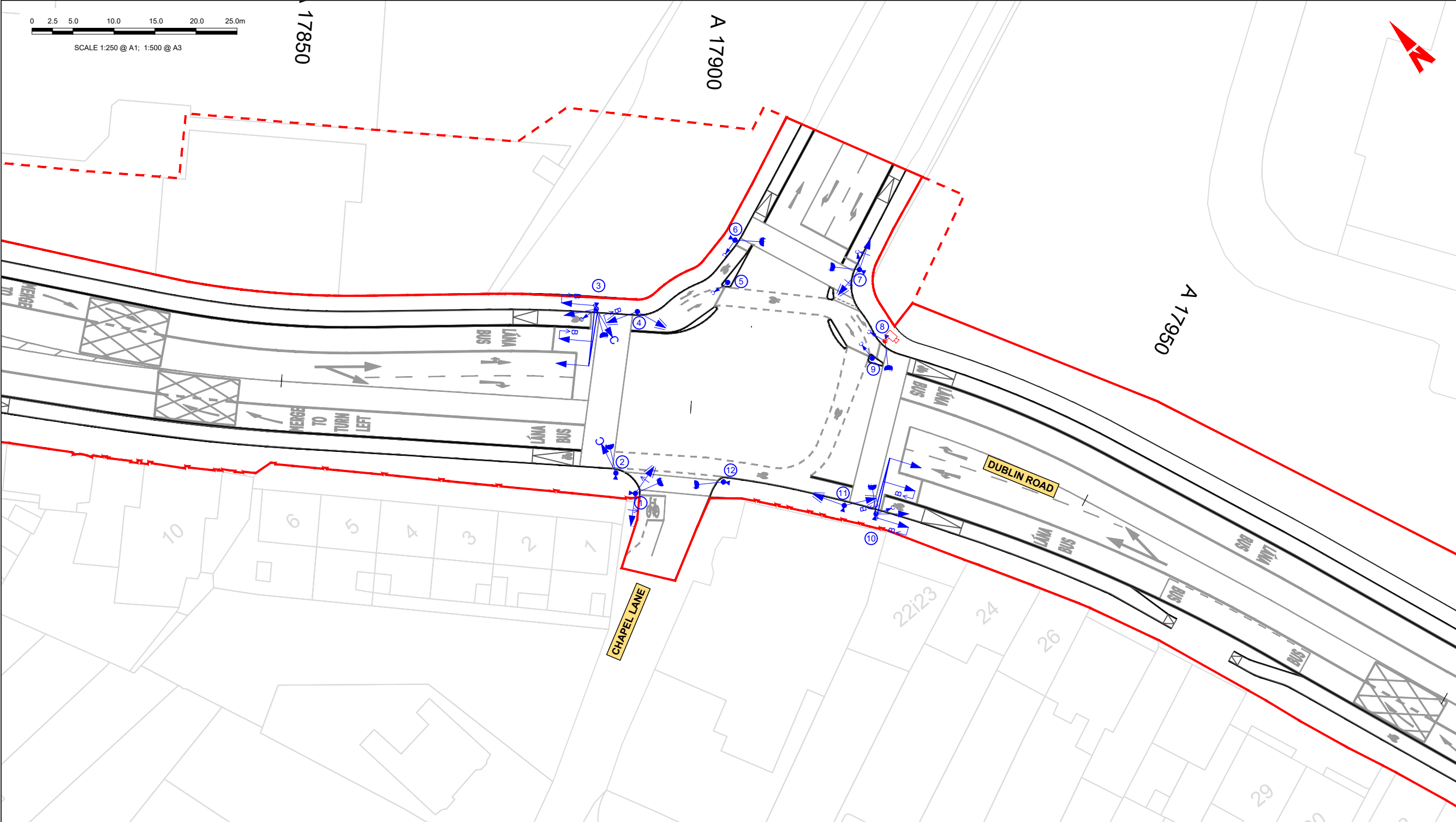
Date	Scale	Drawn	Checked	Approved
08/05/2023	1:250 @ A1 1:500 @ A3	RB	RH	RS

Project Code: BCIDB | Originator Code: JAC | QMS Code:

Programme Title BUSCONNECTS DUBLIN CORE BUS CORRIDORS INFRASTRUCTURE WORKS			
Drawing Title BRAY TO CITY CENTRE CORE BUS CORRIDOR SCHEME JUNCTION SYSTEMS DESIGN DUBLIN ROAD / WOODBROOK JUNCTION			
Drawing File Name BCIDB-JAC-TSM_SJ-0013_XX_00-DR-TR-0056	Sheet Number 56 of 60	Status A	Rev M01

DO NOT SCALE USE FIGURED DIMENSIONS ONLY

C:\pwworking\jacobs_uk_highways_asd\legintl_bayard\2d\148470\BCIDB-JAC-TSM_SJ-0013_XX_00-DR-TR-0056.dwg



LEGEND:

TRAFFIC SIGNAL HEADS:

- RTS 001 PRIMARY
- RTS 001 SECONDARY
- RTS 002 PRIMARY
- RTS 002 SECONDARY
- RTS 003 PRIMARY
- RTS 003 SECONDARY
- RTS 007 (LOW LEVEL) PRIMARY
- RTS 007 CYCLE HEAD
- RPC 004 PEDESTRIAN HEAD

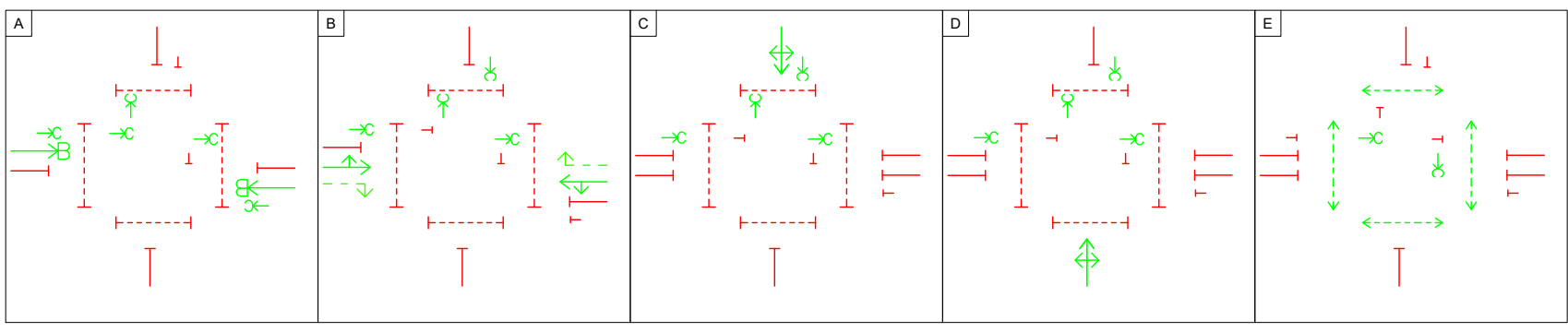
TRAFFIC SIGNAL EQUIPMENT:

- POLE (STANDARD HEIGHT)
- SMALL POLE
- TALL POLE (TRAFFIC SIGNALS)
- MAST ARM (VARIABLE LENGTH)
- TALL POLE (CCTV/TRAFFIC SIGNALS)
- POLE NUMBER
- PUSH BUTTON UNIT
- PAN / TILT / ZOOM CCTV CAMERA

GENERAL:

- SITE BOUNDARY LINE
- TEMPORARY LAND ACQUISITION

INDICATIVE METHOD OF CONTROL



Disclaimer

a. © National Transport Authority (NTA) 2022. This drawing is confidential and the copyright in it is owned by NTA. This drawing must not be either loaned, copied or otherwise reproduced in whole or in part or used for any purpose without the prior permission of NTA.

b. This drawing is to be used for the design element identified in the titleblock. Other information shown is to be considered indicative only. The drawing is to be read in conjunction with all other relevant design drawings.

c. O.S. data used for plans are printed under © Ordnance Survey Ireland Government of Ireland. All rights reserved. Licence Number 2022/OSI_NMA_160 National Transport Authority. All elevations are in metres and relate to OSi Geoid Model (OSGM15) Mean Head. All Co-ordinates are in Irish Transverse Mercator Grid (ITM) as defined by OSi active local GPS station.

d. Information concerning the position of apparatus shown on this drawing is based on drawings supplied by the utility owners and/or the utility works contractor, whilst every care has been taken as appropriate and are intended for general guidance only and no representation is made by the NTA as to the accuracy, completeness, sufficiency or otherwise of this drawing and the position of the apparatus. The information contained herein does not purport to be comprehensive or final as the apparatus is subject to being altered and/or superseded. Recipients should not rely on this information. Any liabilities are hereby expressly disclaimed.

e. The information contained herein has been provided by the NTA but does not purport to be comprehensive or final. Recipients should not rely on the information. Neither the NTA nor any of its directors, officers, employees, agents, stakeholders or advisers make any representation or warranty as to, or accept any liability or responsibility in relation to, the adequacy, accuracy, reasonableness or completeness of the information provided as part of this document or any matter on which the information is based (including but not limited to loss or damage arising as a result of reliance by recipients on the information or any part of it). Any liabilities are hereby expressly disclaimed.



Rev	Date	Dm	Chk'd	App'd	Description
M01	08/05/2023	RB	RH	RS	ISSUE FOR PHASE 4: PLANNING

Client: **NTA**
Údarás Náisiúnta Iompair
National Transport Authority

Engineering Designer: **Jacobs**

Date	Scale	Drawn	Checked	Approved
08/05/2023	1:250 @ A1 1:500 @ A3	RB	RH	RS

Project Code: BCIDB | Originator Code: JAC | QMS Code:

Programme Title BUSCONNECTS DUBLIN CORE BUS CORRIDORS INFRASTRUCTURE WORKS			
Drawing Title BRAY TO CITY CENTRE CORE BUS CORRIDOR SCHEME JUNCTION SYSTEMS DESIGN DUBLIN ROAD / CHAPEL LANE JUNCTION			
Drawing File Name BCIDB-JAC-TSM_SJ_-0013_XX_00-DR-TR-0057	Sheet Number 57 of 60	Status A	Rev M01

DO NOT SCALE USE FIGURED DIMENSIONS ONLY

C:\pwworking\jacobs_uk_highways_ssd\legintl_bayrd2\0148470\BCIDB-JAC-TSM_SJ_-0013_XX_00-DR-TR-0046.dwg

0 2.5 5.0 10.0 15.0 20.0 25.0m

SCALE 1:250 @ A1; 1:500 @ A3



LEGEND:

TRAFFIC SIGNAL HEADS:

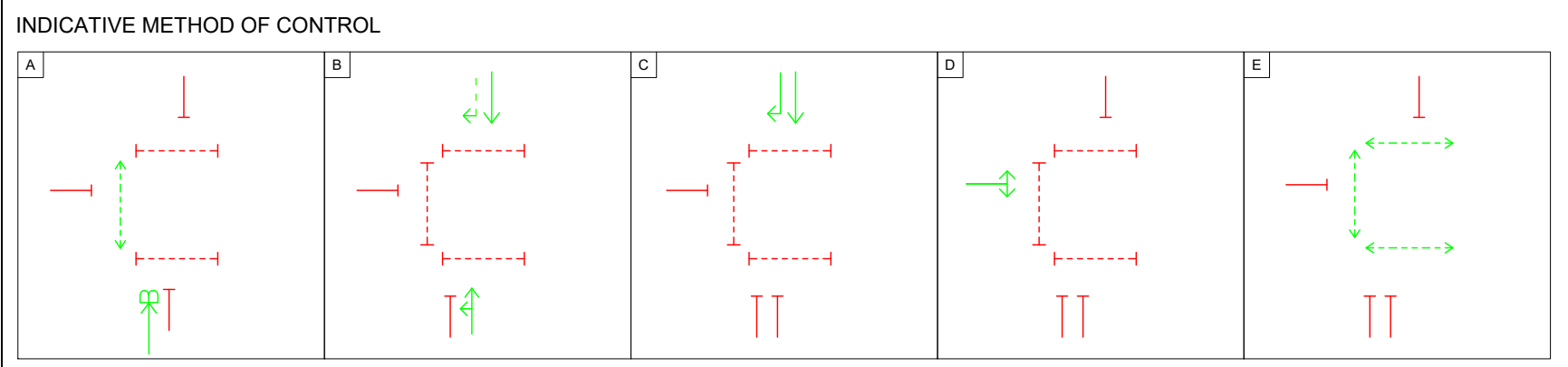
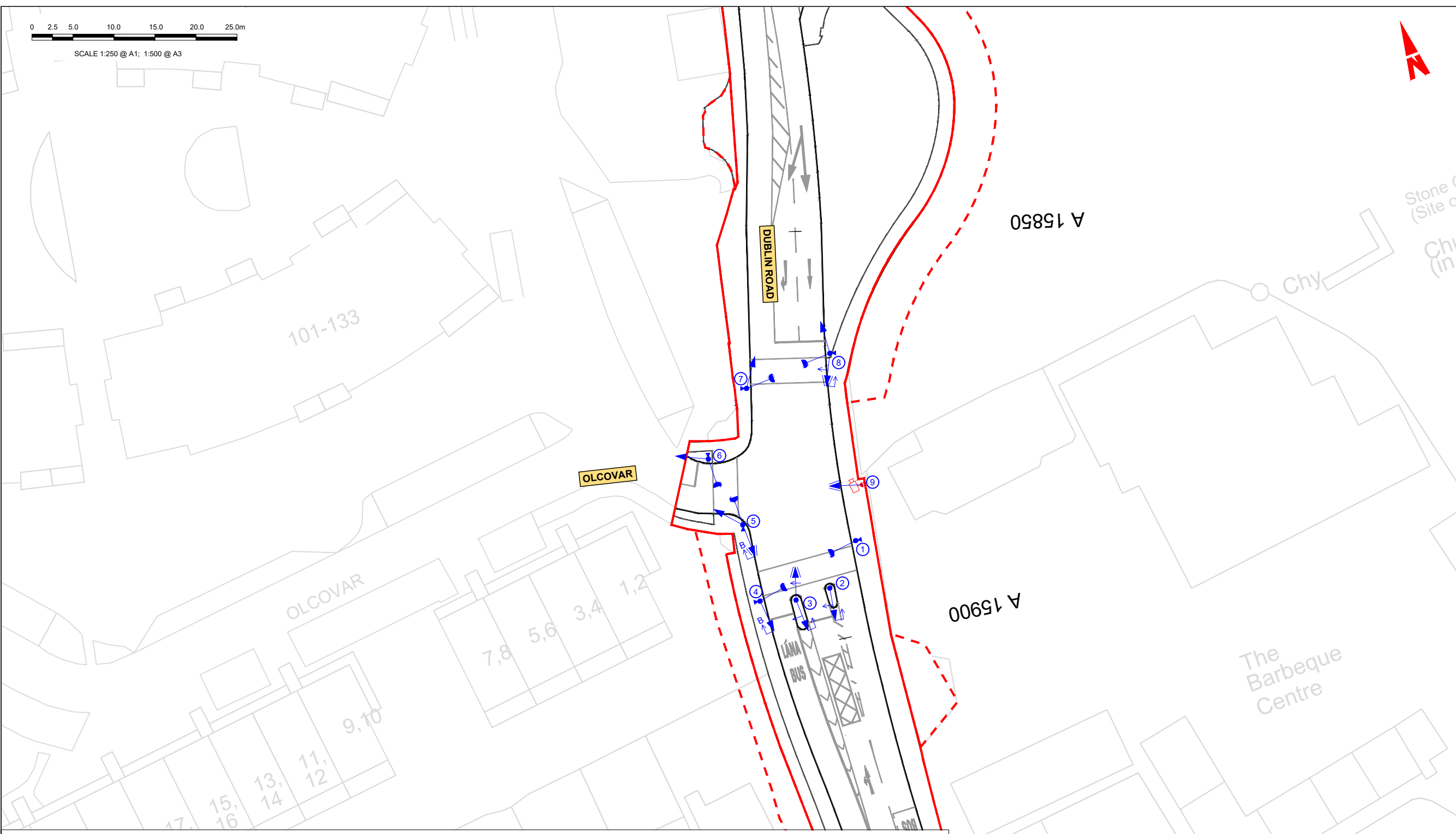
- RTS 001 PRIMARY
- RTS 001 SECONDARY
- RTS 002(E) PRIMARY
- RTS 002(E) SECONDARY
- RTS 003(H) PRIMARY
- RTS 003(H) SECONDARY
- RTS 003(4) SECONDARY
- RPC 004 PEDESTRIAN HEAD

TRAFFIC SIGNAL EQUIPMENT:

- POLE (STANDARD HEIGHT)
- SMALL POLE
- TALL POLE (TRAFFIC SIGNALS)
- MAST ARM (VARIABLE LENGTH)
- TALL POLE (CCTV/TRAFFIC SIGNALS)
- POLE NUMBER
- PUSH BUTTON UNIT
- PAN / TILT / ZOOM CCTV CAMERA

GENERAL:

- SITE BOUNDARY LINE
- TEMPORARY LAND ACQUISITION



Disclaimer

a. © National Transport Authority (NTA) 2022. This drawing is confidential and the copyright in it is owned by NTA. This drawing must not be either loaned, copied or otherwise reproduced in whole or in part for use for any purpose without the prior permission of NTA.

b. This drawing is to be used for the design element identified in the titleblock. Other information shown is to be considered indicative only. The drawing is to be read in conjunction with all other relevant design drawings.

c. O.S. data used for plans are printed under © Ordnance Survey Ireland Government of Ireland. All rights reserved. Licence Number 2022/OSI/NMA_160 National Transport Authority. All elevations are in metres and relate to OSi Geoid Model (OSGM15) Mean Head. All Co-ordinates are in Irish Transverse Mercator Grid (ITM) as defined by OSI active local GPS station.

d. Information concerning the position of apparatus shown on this drawing is based on drawings supplied by the utility owners and/or the utility works contractor, whilst every care has been taken in the preparation of this drawing, positions should be taken as appropriate and are intended for general guidance only and no representation is made by the NTA as to the accuracy, completeness, sufficiency or otherwise of this information. The information contained herein does not purport to be comprehensive or final as the apparatus is subject to being altered and/or superseded. Recipients should not rely on this information. Any liabilities are hereby expressly disclaimed.

e. The information contained herein has been provided by the NTA but does not purport to be comprehensive or final. Recipients should not rely on the information. Neither the NTA nor any of its directors, officers, employees, agents, stakeholders or advisers make any representation or warranty as to, or accept any liability or responsibility in relation to, the adequacy, accuracy, reasonableness or completeness of the information provided as part of this document or any matter on which the information is based (including but not limited to loss or damage arising as a result of reliance by recipients on the information or any part of it). Any liabilities are hereby expressly disclaimed.

Rev	Date	Dm	Chk'd	App'd	Description
M01	08/05/2023	RB	RH	RS	ISSUE FOR PHASE 4: PLANNING

Client: **NTA**
Údarás Náisiúnta Iompair
National Transport Authority

Engineering Designer: **Jacobs**

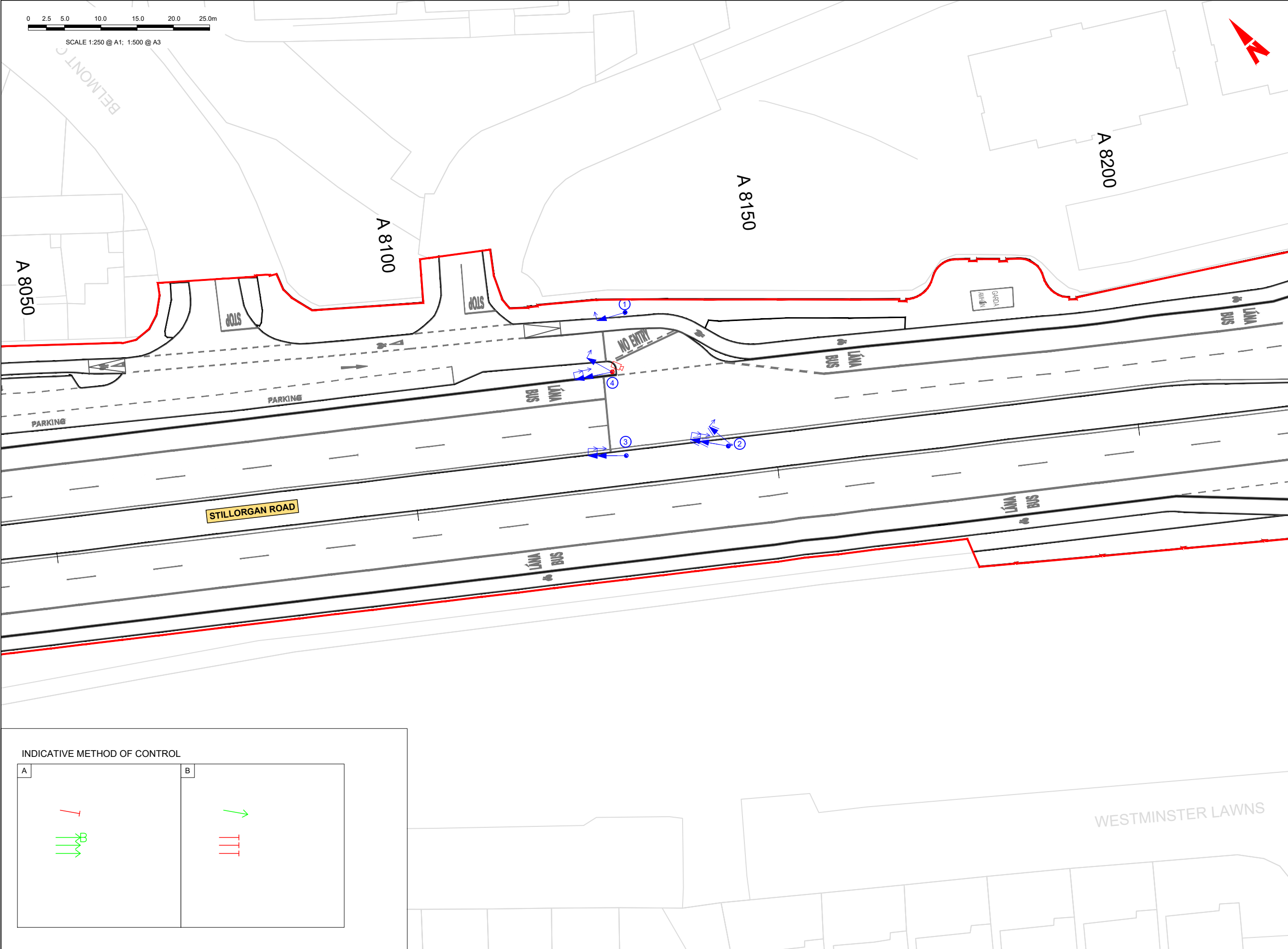
Date: 08/05/2023 | Scale: 1:250 @ A1, 1:500 @ A3 | Drawn: RB | Checked: RH | Approved: RS

Project Code: BCIDB | Originator Code: JAC | QMS Code:

Programme Title BUSCONNECTS DUBLIN CORE BUS CORRIDORS INFRASTRUCTURE WORKS			
Drawing Title BRAY TO CITY CENTRE CORE BUS CORRIDOR SCHEME JUNCTION SYSTEMS DESIGN DUBLIN ROAD / OLCOVAR JUNCTION			
Drawing File Name BCIDB-JAC-TSM_SJ-0013_XX_00-DR-TR-0058	Sheet Number 58 of 60	Status A	Rev M01

DO NOT SCALE USE FIGURED DIMENSIONS ONLY

C:\pwworking\jacobs_uk_highways_ssd\legintl_bayrd2\0148470\BCIDB-JAC-TSM_SJ-0013_XX_00-DR-TR-0046.dwg



LEGEND:

TRAFFIC SIGNAL HEADS:

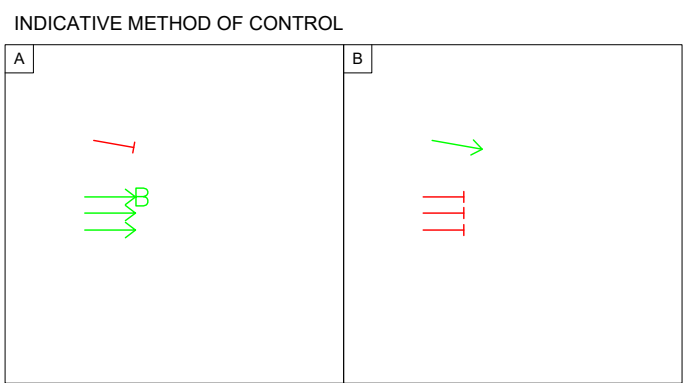
- RTS 002 PRIMARY x2
- RTS 002 SECONDARY x2
- RTS 002 PRIMARY
- RTS 002 SECONDARY

TRAFFIC SIGNAL EQUIPMENT:

- POLE (STANDARD HEIGHT)
- SMALL POLE
- TALL POLE (TRAFFIC SIGNALS)
- TALL POLE (CCTV/TRAFFIC SIGNALS)
- POLE NUMBER
- PUSH BUTTON UNIT
- PAN / TILT / ZOOM CCTV CAMERA

GENERAL:

- SITE BOUNDARY LINE
- TEMPORARY LAND ACQUISITION



Disclaimer

a. © National Transport Authority (NTA) 2022. This drawing is confidential and the copyright in it is owned by NTA. This drawing must not be either loaned, copied or otherwise reproduced in whole or in part or used for any purpose without the prior permission of NTA.

b. This drawing is to be used for the design element identified in the titleblock. Other information shown is to be considered indicative only. The drawing is to be read in conjunction with all other relevant design drawings.

c. O.S. data used for plans are printed under © Ordnance Survey Ireland Government of Ireland. All rights reserved. Licence Number 2022/OSI_NMA_180 National Transport Authority. All elevations are in metres and relate to OSI Geoid Model (OSGM15) Mean Head. All Co-ordinates are in Irish Transverse Mercator Grid (ITM) as defined by OSI active local GPS station.

d. Information concerning the position of apparatus shown on this drawing is based on drawings supplied by the utility owners and/or the utility works contractor, whilst every care has been taken as appropriate and are intended for general guidance only and no representation is made by the NTA as to the accuracy, completeness, sufficiency or otherwise of this drawing and the position of the apparatus. The information contained herein does not purport to be comprehensive or final as the apparatus is subject to being altered and/or superseded. Recipients should not rely on this information. Any liabilities are hereby expressly disclaimed.

e. The information contained herein has been provided by the NTA but does not purport to be comprehensive or final. Recipients should not rely on the information. Neither the NTA nor any of its directors, officers, employees, agents, stakeholders or advisers make any representation or warranty as to, or accept any liability or responsibility in relation to, the adequacy, accuracy, reasonableness or completeness of the information provided as part of this document or any matter on which the information is based (including but not limited to loss or damage arising as a result of reliance by recipients on the information or any part of it). Any liabilities are hereby expressly disclaimed.

Rev	Date	Dm	Chk'd	App'd	Description
M01	08/05/2023	RB	RH	RS	ISSUE FOR PHASE 4: PLANNING

Client: **NTA**
Údarás Náisiúnta Iompair
National Transport Authority

Engineering Designer: **Jacobs**

Date: 08/05/2023
Scale: 1:250 @ A1, 1:500 @ A3

Project Code: BCIDB
Originator Code: JAC

Drawn: RB
Checked: RH
Approved: RS

Programme Title: **BUSCONNECTS DUBLIN**
CORE BUS CORRIDORS INFRASTRUCTURE WORKS

Drawing Title: **BRAY TO CITY CENTRE CORE BUS CORRIDOR SCHEME**
JUNCTION SYSTEMS DESIGN
N11 STILLORGAN ROAD / BELMONT TERRACE

Drawing File Name	Sheet Number	Status	Rev
BCIDB-JAC-TSM_SJ_-0013_XX_00-DR-TR-0059	59 of 60	A	M01

DO NOT SCALE USE FIGURED DIMENSIONS ONLY

C:\pwworking\jacobs_uk_highways_asd\legintl_bayard2\0148470\BCIDB-JAC-TSM_SJ_-0013_XX_00-DR-TR-0046.dwg



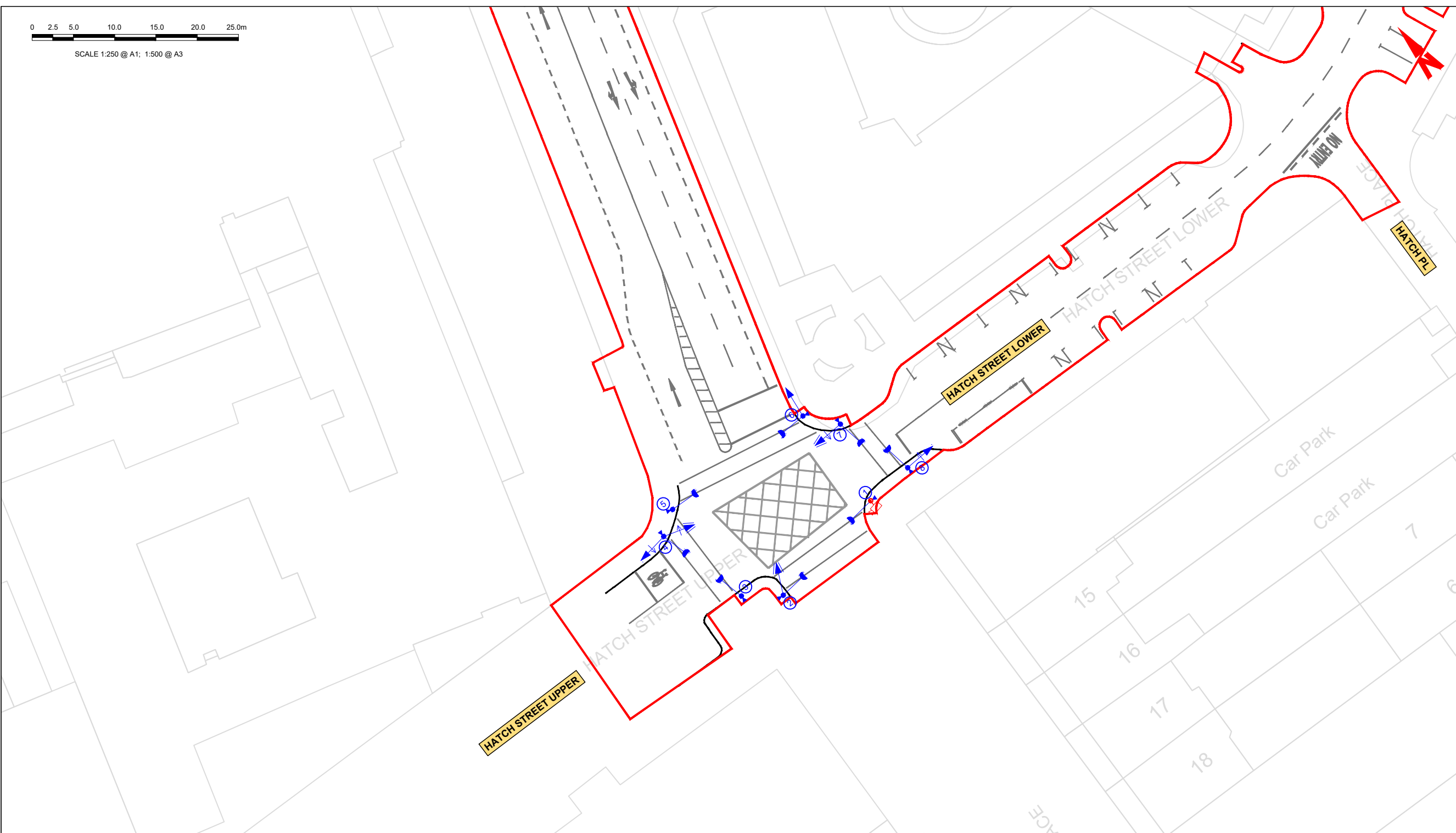
SCALE 1:250 @ A1; 1:500 @ A3

- NOTES:**
1. ALL DIMENSIONS IN METRES UNLESS OTHERWISE NOTED.
 2. THIS DRAWING TO BE READ IN CONJUNCTION WITH THE EMPLOYER'S REQUIREMENTS AND ALL OTHER RELEVANT DRAWINGS.
 3. ALL SIGNAL EQUIPMENT AND SPECIFICATIONS TO COMPLY WITH THE DEPARTMENT OF TRANSPORT AN ROINN IOMPAIR CHAPTER 9: TRAFFIC SIGNALS CONTROLLER LOCATION, POWER PROVISION AND COMMUNICATION REQUIREMENTS SUBJECT TO CONFIRMATION AT DETAILED DESIGN.
 4. ALL TRAFFIC SIGNAL POLES TO BE INSTALLED IN RETENTION SOCKETS.
 5. DUCT ROUTES AND CHAMBER PROVISION SHOWN FOR INDICATIVE PURPOSES ONLY AND SUBJECT TO CONFIRMATION AT DETAILED DESIGN.
 6. NUMBER OF DUCTS SHALL BE SUBJECT TO CABLE CALCULATIONS AT DETAILED DESIGN. IT IS ASSUMED A MINIMUM SIX DUCTS SHALL BE PROVIDED AT ALL ROAD CROSSINGS.
 7. TRAFFIC SIGNAL PRIORITY MEASURES FOR PUBLIC SERVICE VEHICLES SHALL BE IMPLEMENTED AS AGREED WITH THE OVERSEEING ORGANISATION.
 8. IT IS ASSUMED THAT MAST ARM OUTREACH CAN BE EXTENDED AS REQUIRED ON THE DRAWING.

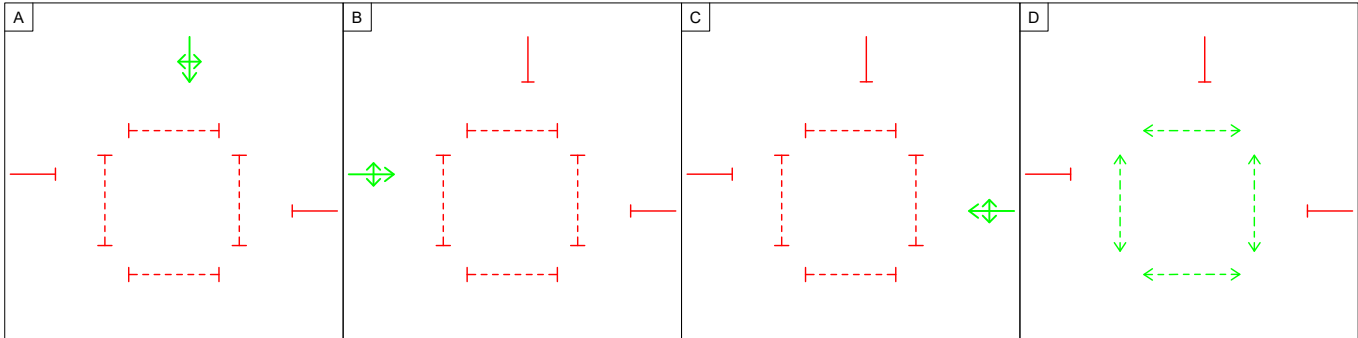
- LEGEND:**
- TRAFFIC SIGNAL HEADS:**
- RTS 001 PRIMARY
 - RTS 001 SECONDARY
 - RTS 003 PRIMARY
 - RTS 003 SECONDARY
 - RPC 004 PEDESTRIAN HEAD

- TRAFFIC SIGNAL EQUIPMENT:**
- POLE (STANDARD HEIGHT)
 - TALL POLE (CCTV/TRAFFIC SIGNALS)
 - POLE NUMBER
 - PUSH BUTTON UNIT
 - PAN / TILT / ZOOM CCTV CAMERA

- GENERAL:**
- SITE BOUNDARY LINE
 - TEMPORARY LAND ACQUISITION



INDICATIVE METHOD OF CONTROL



Disclaimer

a. © National Transport Authority (NTA) 2022. This drawing is confidential and the copyright in it is owned by NTA. This drawing must not be either loaned, copied or otherwise reproduced in whole or in part or used for any purpose without the prior permission of NTA.

b. This drawing is to be used for the design element identified in the titleblock. Other information shown is to be considered indicative only. The drawing is to be read in conjunction with all other relevant design drawings.

c. O.S. data used for plans are printed under © Ordnance Survey Ireland Government of Ireland. All rights reserved. Licence Number 2022/OSI_NMA_180 National Transport Authority. All elevations are in metres and relate to OSi Geoid Model (OSGM15) Mean Head. All Co-ordinates are in Irish Transverse Mercator Grid (ITM) as defined by OSi active local GPS station.

d. Information concerning the position of apparatus shown on this drawing is based on drawings supplied by the utility owners and/or the utility works contractor, whilst every care has been taken as appropriate and are intended for general guidance only and no representation is made by the NTA as to the accuracy, completeness, sufficiency or otherwise of this drawing and the position of the apparatus. The information contained herein does not purport to be comprehensive or final as the apparatus is subject to being altered and/or superseded. Recipients should not rely on this information. Any liabilities are hereby expressly disclaimed.

e. The information contained herein has been provided by the NTA but does not purport to be comprehensive or final. Recipients should not rely on the information. Neither the NTA nor any of its directors, officers, employees, agents, stakeholders or advisers make any representation or warranty as to, or accept any liability or responsibility in relation to, the adequacy, accuracy, reasonableness or completeness of the information provided as part of this document or any matter on which the information is based (including but not limited to loss or damage arising as a result of reliance by recipients on the information or any part of it). Any liabilities are hereby expressly disclaimed.



Rev	Date	Dm	Chk'd	App'd	Description
M01	08/05/2023	RB	RH	RS	ISSUE FOR PHASE 4: PLANNING

Client: **NTA**
Údarás Náisiúnta Iompair
National Transport Authority

Engineering Designer: **Jacobs**

Date: 08/05/2023 | Scale: 1:250 @ A1, 1:500 @ A3

Project Code: BCIDB | Originator Code: JAC

Drawn: RB | Checked: RH | Approved: RS

Programme Title: BUSCONNECTS DUBLIN			
CORE BUS CORRIDORS INFRASTRUCTURE WORKS			
Drawing Title: BRAY TO CITY CENTRE CORE BUS CORRIDOR SCHEME JUNCTION SYSTEMS DESIGN HATCH STREET LOWER / EARLSFORT TERRACE			
Drawing File Name: BCIDB-JAC-TSM_SJ-0013_XX_00-DR-TR-0060	Sheet Number: 60 of 60	Status: A	Rev: M01

DO NOT SCALE USE FIGURED DIMENSIONS ONLY

C:\pwworking\jacobs_uk_highways_asd\jgintl_bov\2023\0148470\BCIDB-JAC-TSM_SJ-0013_XX_00-DR-TR-0060.dwg